

olivetti



d-Copia 2500MF
d-Copia 3000MF

Operation Guide



Cod 539209en

PUBLICATION ISSUED BY:

Olivetti S.p.A.

Gruppo Telecom Italia

Via Jervis, 77 - 10015 Ivrea (ITALY)

www.olivetti.com

Copyright © 2007, Olivetti All rights reserved

The mark affixed to the product certifies that the product satisfies the basic quality requirements.



The manufacturer reserves the right to carry out modifications to the product described in this manual at any time and without any notice.



ENERGY STAR is a U.S. registered mark.

The ENERGY STAR program is an energy reduction plan introduced by the United States Environmental Protection Agency in response to environmental issues and for the purpose of advancing the development and utilization of more energy efficient office equipment.

Your attention is drawn to the following actions which could compromise the conformity attested to above, as well as the characteristics of the product:

- incorrect electrical power supply;
 - incorrect installation, incorrect or improper use or use not in compliance with the warnings provided in the User's Manual supplied with the product;
 - replacement of original components or accessories with others of a type not approved by the manufacturer, or performed by unauthorised personnel.
-

All rights reserved. No part of this material may be reproduced or transmitted in any form or by any means, electronic or mechanical, including photocopying, recording or by any information storage and retrieval system, without permission in writing from the Publisher.

Introduction

Thank you for your purchase of d-Copia 2500MF, d-Copia 3000MF

This Operation Guide is intended to help you operate the machine correctly, perform routine maintenance and take a simple troubleshooting action as necessary, so that you can always use the machine in good condition.

Please read this Operation Guide before you start using the machine, and keep it close to the machine for easy reference.

In this Operation Guide, d-Copia2500MF and d-Copia3000MF are referred to as 25 ppm model and 30 ppm model respectively.

Included Guides

The following guides are supplied with the machine. Refer to them as necessary.

Operation Guide (This Guide)

Describes how to load paper, basic copy, print and scan operations, and troubleshooting.

Advanced Operation Guide

Explains copying, printing and scanning features in depth, as well as default settings.

Safety Conventions in This Guide

The sections of this guide and parts of the machine marked with symbols are safety warnings meant to protect the user, other individuals and surrounding objects, and ensure correct and safe usage of the machine. The symbols and their meanings are indicated below.



WARNING: Indicates that serious injury or even death may result from insufficient attention to or incorrect compliance with the related points.



CAUTION: Indicates that personal injury or mechanical damage may result from insufficient attention to or incorrect compliance with the related points.

Symbols

The \triangle symbol indicates that the related section includes safety warnings. Specific points of attention are indicated inside the symbol.



.... [General warning]



.... [Warning of danger of electrical shock]



.... [Warning of high temperature]

The \odot symbol indicates that the related section includes information on prohibited actions. Specifics of the prohibited action are indicated inside the symbol.



.... [Warning of prohibited action]



.... [Disassembly prohibited]

The \bullet symbol indicates that the related section includes information on actions which must be performed. Specifics of the required action are indicated inside the symbol.



.... [Alert of required action]



.... [Remove the power plug from the outlet]



.... [Always connect the machine to an outlet with a ground connection]

Please contact your service representative to order a replacement if the safety warnings in this Operation Guide are illegible or if the guide itself is missing (fee required).

Contents

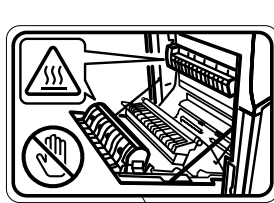
	Caution / Warning Labels	iv
	Installation Precautions	v
	Precautions for Use	vii
	Legal Restriction on Copying/Scanning	xiii
	Legal and Safety Information	xiv
1	Part Names	
	Machine	1-2
	Operation Panel	1-5
2	Preparation before Use	
	Determining the Connection Method and Preparing Cables	2-3
	Connecting Cables	2-5
	Setting Date and Time	2-8
	Configuring a Network (LAN Cable Connection)	2-10
	Accessing EWS (Embedded Web Server) (Settings for Network and Transmission)	2-12
	TCP/IP Settings	2-13
	Sending E-mail	2-15
	User Login Administration	2-27
	Installing Software	2-30
	Selecting the Default Screen (Optional)	2-31
	Changing Language (Optional)	2-33
	Loading Paper	2-34
	Loading Originals	2-47
3	Basic Operation	
	Power On/Off	3-2
	Low Power Mode and Auto Low Power Mode	3-4
	Sleep and Auto Sleep	3-5
	Adjusting the Operation Panel Angle	3-6
	Touch Panel Display	3-7
	Copying	3-8
	Printing - Printing from Applications	3-24
	Sending	3-26
	Specifying Destination	3-42
	Using Document Box	3-45
	Printing Documents Stored in Removable USB Memory	3-56
	Canceling/Viewing/Changing Jobs	3-58
	Checking Remaining Toner and Paper	3-63
	Quick Setup Screen	3-64
4	Optional Equipment	
	Overview of Optional Equipment	4-2
	Document Processor	4-4
	Paper Feeder	4-4
	Built-in Finisher	4-5
	Document Finisher	4-9
	Job Separator	4-9
	Key Counter	4-11
	FAX Kit	4-11

	Data Backup Kit	4-12
	Security Kit (USB Key)	4-12
	PDF Upgrade Kit (USB Key)	4-12
5	Maintenance	
	Cleaning	5-2
	Toner Container and Waste Toner Box Replacement	5-7
6	Troubleshooting	
	Solving Malfunctions	6-2
	Responding to Error Messages	6-5
	Clearing Paper Jams	6-12
	Appendix	
	Character Entry Method	Appendix-2
	Paper	Appendix-6
	Specifications	Appendix-7
	Index	Index-1

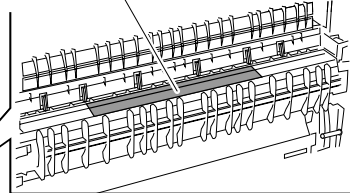
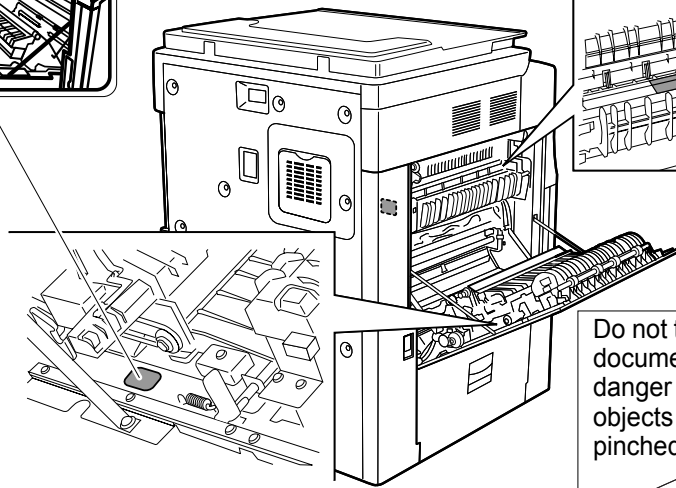
Caution / Warning Labels

Caution / Warning labels have been attached to the machine at the following locations for safety purposes. Be sufficiently careful to avoid fire or electric shock when removing a paper jam or when replacing toner.

 CAUTION EXTREMELY HOT SURFACE Avoid contact.	ATTENTION SURFACE TRÈS CHAUDE	VORSICHT SEHR HEISSE OBERFLÄCHE	PRECAUCION SUPERFICIE SUMAMENTE CALIENTE	CAUTELA SUPERFICIE ESTREMAMENTE CALDA Evitare il contatto.	ВНИМАНИЕ Поверхность очень горячая. Не дотрагиваться.	注意 表面灼熱、 避免觸碰。	注意 表面灼熱、 避免觸碰。	注意 高温部に手を触れないでください。 火傷の原因となります。	
---	--	--	---	---	--	-----------------------------	-----------------------------	--	---

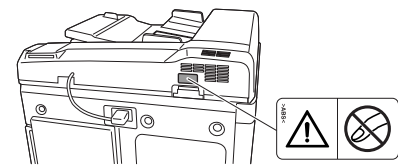


High temperature inside. Do not touch parts in this area, because there is a danger of getting burned.

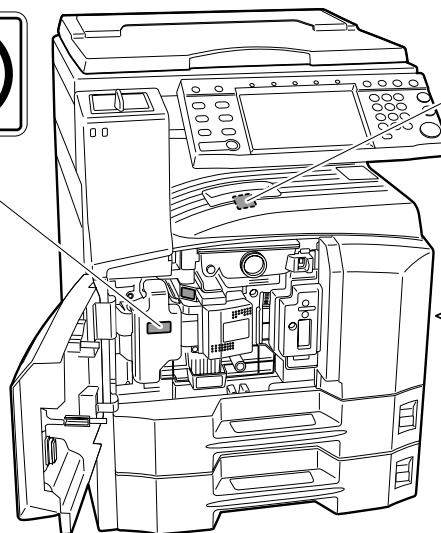


High temperature inside. Do not touch parts in this area, because there is a danger of getting burned.

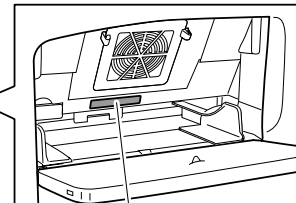
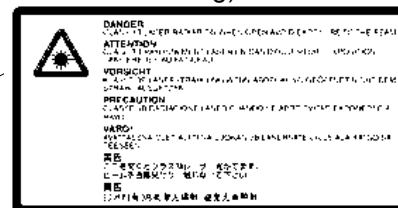
Do not touch the support area for the document processor as there is a danger that your fingers or other objects may become caught or pinched, and this can result in injury.



Do not incinerate toner and toner container. Dangerous sparks may cause burn.



Label inside the printer (Laser radiation warning)



Moving parts inside. May cause personal injury. Do not touch moving parts.

Installation Precautions

Environment

CAUTION

Avoid placing the machine on or in locations which are unstable or not level. Such locations may cause the machine fall down or fall over. This type of situation presents a danger of personal injury or damage to the machine.



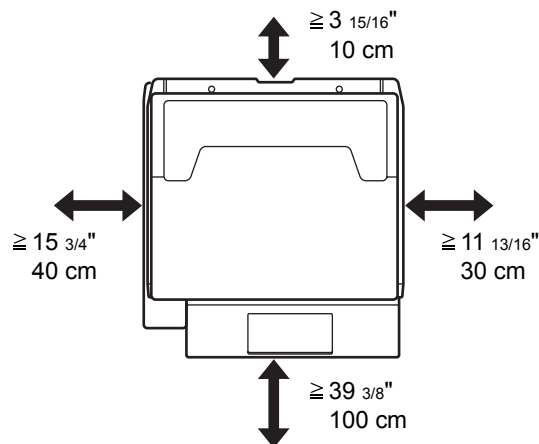
Avoid locations with humidity or dust and dirt. If dust or dirt become attached to the power plug, clean the plug to avoid the danger of fire or electrical shock.



Avoid locations near radiators, heaters or other heat sources, or locations near flammable items to avoid the danger of fire.



To keep the machine cool and facilitate changing of parts and maintenance, allow access space as shown below. Leave adequate space, especially around the rear cover, to allow air to be properly ventilated out of the machine.



Other precautions

The service environmental conditions are as follows:

- Temperature: 50 to 90.5 °F (10 to 32.5 °C)
- Humidity: 15 to 80 %

However, adverse environmental conditions may affect the image quality. Avoid the following locations when selecting a site for the machine.

- Avoid locations near a window or with exposure to direct sunlight.
- Avoid locations with vibrations.

-
- Avoid locations with drastic temperature fluctuations.
 - Avoid locations with direct exposure to hot or cold air.
 - Avoid poorly ventilated locations.

If the floor is delicate against casters, when this machine is moved after installation, the floor material may be damaged.

During copying, some ozone is released, but the amount does not cause any ill effect to one's health. If, however, the machine is used over a long period of time in a poorly ventilated room or when making an extremely large number of copies, the smell may become unpleasant. To maintain the appropriate environment for copy work, it is suggested that the room be properly ventilated.

Power supply/Grounding the machine

WARNING

Do not use a power supply with a voltage other than that specified. Avoid multiple connections in the same outlet. These types of situations present a danger of fire or electrical shock.



Plug the power cord securely into the outlet. If metallic objects come into contact with the prongs on the plug, it may cause a fire or electric shock.



Always connect the machine to an outlet with a ground connection to avoid the danger of fire or electrical shock in case of an electric short. If an earth connection is not possible, contact your service representative.



Other precautions

Connect the power plug to the closest outlet possible to the machine.

Handling of plastic bags

WARNING

Keep the plastic bags that are used with the machine away from children. The plastic may cling to their nose and mouth causing suffocation.



Precautions for Use

Cautions when using the machine

WARNING

Do not place metallic objects or containers with water (flower vases, flower pots, cups, etc.) on or near the machine. This type of situation presents a danger of fire or electrical shock should they fall inside.



Do not remove any of the covers from the machine as there is a danger of electrical shock from high voltage parts inside the machine.



Do not damage, break or attempt to repair the power cord. Do not place heavy objects on the cord, pull it unnecessarily or cause any other type of damage. These types of situations present a danger of fire or electrical shock.



Never attempt to repair or disassemble the machine or its parts as there is a danger of fire, electrical shock or exposure to the laser. If the laser beam escapes, there is a danger of it causing blindness.



If the machine becomes excessively hot, smoke appears from the machine, there is an odd smell, or any other abnormal situation occurs, there is a danger of fire or electrical shock. Turn the main power switch off immediately, be absolutely certain to remove the power plug from the outlet and then contact your service representative.



If anything harmful (paper clips, water, other fluids, etc.) falls into the machine, turn the main power switch off immediately. Next, be absolutely certain to remove the power plug from the outlet to avoid the danger of fire or electrical shock. Then contact your service representative.



Do not remove or connect the power plug with wet hands, as there is a danger of electrical shock.



Always contact your service representative for maintenance or repair of internal parts.



CAUTION

Do not pull the power cord when removing it from the outlet. If the power cord is pulled, the wires may become broken and there is a danger of fire or electrical shock. (Always grasp the power plug when removing the power cord from the outlet.)



Always remove the power plug from the outlet when moving the machine. If the power cord is damaged, there is a danger of fire or electrical shock.



Always hold the designated parts only when lifting or moving the machine.



For safety purposes, always remove the power plug from the outlet when performing cleaning operations.



If dust accumulates within the machine, there is a danger of fire or other trouble. It is therefore recommended that you consult with your service representative in regard to cleaning of internal parts. This is particularly effective if accomplished prior to seasons of high humidity. Consult with your service representative in regard to the cost of cleaning the internal parts of the machine.



Other precautions

Do not place heavy objects on the machine or cause other damage to the machine.

During the use, do not

- Open the front cover,
- Turn off the main power switch,
- Pull out the power plug.

When lifting or moving the machine, contact your service representative.

Do not touch electrical parts, such as connectors or printed circuit boards. They could be damaged by static electricity.

Do not attempt to perform any operations not explained in this guide.

Do not look directly at the light from the scanning lamp as it may cause your eyes to feel tired or painful.

This machine comes equipped with an HDD (hard disk drive). Do not attempt to move the machine while the power is still on. Since any resulting shock or vibration may cause damage to the hard disk, be sure to turn off the power before attempting to move the machine.

In the event there is a problem with the machine's HDD (hard disk drive), stored data may be erased. It is recommended that important data be backed up on a PC or other media. Be also sure to store originals of important documents separately.

If using the optional Data Backup Kit, received fax data on the HDD can be stored here and prevent accidental loss of data.

Cautions when handling consumables

CAUTION

Do not attempt to incinerate the toner container or the waste toner box. Dangerous sparks may cause burns.



Keep the toner container and the waste toner box out of the reach of children.



If toner happens to spill from the toner container or the waste toner box, avoid inhalation and ingestion, as well as contact with your eyes and skin.



- If you do happen to inhale toner, move to a place with fresh air and gargle thoroughly with a large amount of water. If coughing develops, contact a physician.
- If you do happen to ingest toner, rinse your mouth with water and drink 1 or 2 cups of water to dilute the contents of your stomach. If necessary, contact a physician.
- If you do happen to get toner in your eyes, flush them thoroughly with water. If there is any remaining tenderness, contact a physician.
- If toner does happen to get on your skin, wash with soap and water.

Do not attempt to force open or destroy the toner container or the waste toner box.



If the optional Fax kit is installed and the main power switch is off, transmitting/receiving Fax is disabled. Do not turn off the main power switch, but press the **Power** key on the operation panel to enter Sleep mode.

Other precautions

Return the exhausted toner container and waste toner box to your dealer or service representative. The collected toner container and waste toner box will be recycled or disposed in accordance with the relevant regulations.

Store the machine while avoiding exposure to direct sunlight.

Store the machine in a place where the temperature stays below 40°C while avoiding sharp changes of temperature and humidity.

If the machine will not be used for an extended period of time, remove the paper from the cassette and the Multi Purpose (MP) Tray, return it to its original package and reseal it.

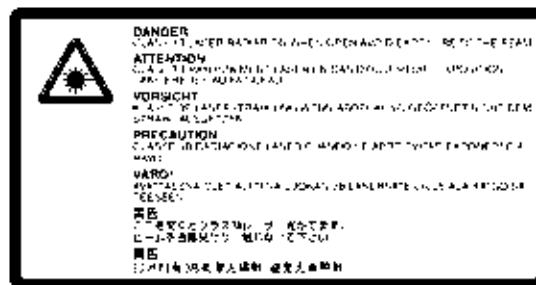
Laser Safety

Laser radiation could be hazardous to the human body. For this reason, laser radiation emitted inside this machine is hermetically sealed within the protective housing and external cover. In the normal operation of the product by user, no radiation can leak from the machine.

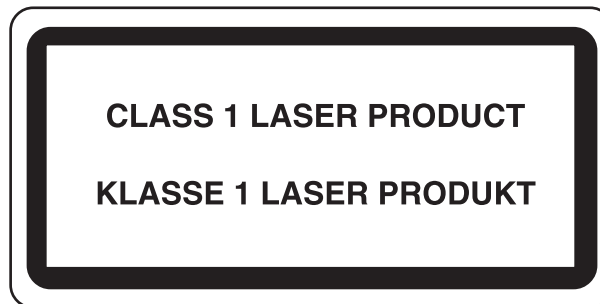
This machine is classified as Class 1 laser product under IEC 60825.

Caution: Performance of procedures other than those specified in this manual may result in hazardous radiation exposure.

These labels are attached to the laser scanner unit inside the machine and are not in a user access area.



The label shown below is attached on the right side of the machine.



Safety Instructions Regarding the Disconnection of Power

Caution: The power plug is the main isolation device! Other switches on the equipment are only functional switches and are not suitable for isolating the equipment from the power source.

VORSICHT: Der Netzstecker ist die Hauptisoliervorrichtung! Die anderen Schalter auf dem Gerät sind nur Funktionsschalter und können nicht verwendet werden, um den Stromfluß im Gerät zu unterbrechen.



DECLARATION OF CONFORMITY

TO

2004/108/EC, 2006/95/EEC, 93/68/EEC and 1995/5/EC

We declare under our sole responsibility that the product to which this declaration relates is in conformity with the following specifications.

EN55024

EN55022 Class B

EN61000-3-2

EN61000-3-3

EN60950-1

EN60825-1

EN300 330-1

EN300 330-2

Radio Frequency Transmitter

This machine contains the transmitter module. We, the manufacturer hereby declare that this equipment is in compliance with the essential requirements and other relevant provisions of Directive 1999/5/EC.

Radio Tag Technology

In some countries the radio tag technology used in this equipment to identify the toner container may be subject to authorization and the use of this equipment may consequently be restricted.

Legal Restriction on Copying/Scanning

- It may be prohibited to copy/scan copyrighted material without permission of the copyright owner.
- It is prohibited under any circumstances to copy/scan domestic or foreign currencies.
- Local laws and regulations may prohibit or restrict copying/scanning of other items not mentioned above.

Legal and Safety Information

Please read this information before using your machine. This chapter provides information on the following topics.

- Legal Information..... xv
- Regarding Trade Names xvi
- Energy Saving Control Function..... xxi
- Automatic 2-Sided Copy Function..... xxi
- Paper Recycling xxi
- Energy Star (ENERGY STAR®) Program..... xxi
- About this Operation Guide xxii

Legal Information

Copying or other reproduction of all or part of this guide without the prior written consent of Kyocera Mita Corporation is prohibited.

Regarding Trade Names

- KPD L is a trademark of Kyocera Corporation.
- Microsoft, MS-DOS, Windows, Windows NT and Internet Explorer are registered trademarks of Microsoft Corporation in the U.S.A. and/or other countries.
- Windows Me, Windows XP and Windows Vista are trademarks of Microsoft Corporation.
- PCL is a trademark of Hewlett-Packard Company.
- Adobe Acrobat, Adobe Reader and PostScript are trademarks of Adobe Systems, Incorporated.
- Ethernet is a registered trademark of Xerox Corporation.
- Novell and NetWare are registered trademarks of Novell, Inc.
- Centronics is a trademark of Centronics Data Computer Corporation.
- IBM and IBM PC/AT are trademarks of International Business Machines Corporation.
- Power PC is a trademark of IBM in the U.S.A. and/or other countries.
- AppleTalk is a registered trademark of Apple Computer, Inc.
- CompactFlash and CF are trademarks of SanDisk, Inc.
- PC-PR201/65A is a product of NEC Corporation.
- VP-1000 is a product of Seiko Epson Corporation.
- This machine has been developed using embedded real-time operating system Tornado™ by Wind River Systems, Inc.
- PCL6, a command language of HP LaserJet emulated by this machine, is using the compatible system PeerlessPrintXL developed by Peerless Systems Corporation. PeerlessPrintXL is a trademark of Peerless Systems Corporation (2381 Rosecrans Ave. ElSegundo, CA 90245, U.S.A.).
- TrueType is a registered trademark of Apple Computer, Inc.
- DFHSGOTHIC-W5 and DFHSMINCHO-W3 are Heisei fonts. Kyocera Mita Corporation is using these fonts under agreements with the Japanese Standards Association. Any form of reproduction of these fonts without prior consent of Kyocera Mita Corporation is prohibited.
- Heisei fonts have been developed by the working groups in collaboration with the Japanese Standards Association. Reproduction of these fonts without permission is prohibited.
- TypeBankG-B, TypeBankM-M and Typebank-OCR are trademarks of TypeBank®.
- All European language fonts installed in this machine are used under licensing agreement with Monotype Imaging Inc.
- Helvetica, Palatino and Times are registered trademarks of Linotype-Hell AG.
- ITC Avant Garde Gothic, ITC Bookman, ITC ZapfChancery and ITC ZapfDingbats are registered trademarks of International Type-face Corporation.

-
- UFST™ MicroType® fonts by Monotype Imaging Inc. are installed in this machine.
 - This machine contains the NF module developed by ACCESS Co., Ltd.
 - This machine contains the software having modules developed by Independent JPEG Group.

All other brands and product names are registered trademarks or trademarks of their respective companies. The designations ™ and ® will not be used in this Operation Guide.

GPL

Firmware of this machine is using in part the GPL applied codes (www.fsf.org/copyleft/gpl.html). Please access "<http://www.kyoceramita.com/gpl>" for more information on how to make GPL applied codes available.

Open SSL License

Copyright (c) 1998-2006 The OpenSSL Project. All rights reserved.

Redistribution and use in source and binary forms, with or without modification, are permitted provided that the following conditions are met:

- 1** Redistributions of source code must retain the above copyright notice, this list of conditions and the following disclaimer.
- 2** Redistributions in binary form must reproduce the above copyright notice, this list of conditions and the following disclaimer in the documentation and/or other materials provided with the distribution.
- 3** All advertising materials mentioning features or use of this software must display the following acknowledgment:
"This product includes software developed by the OpenSSL Project for use in the OpenSSL Toolkit. (<http://www.openssl.org/>)"
- 4** The names "OpenSSL Toolkit" and "OpenSSL Project" must not be used to endorse or promote products derived from this software without prior written permission.
For written permission, please contact openssl-core@openssl.org.
- 5** Products derived from this software may not be called "OpenSSL" nor may "OpenSSL" appear in their names without prior written permission of the OpenSSL Project.
- 6** Redistributions of any form whatsoever must retain the following acknowledgment: "This product includes software developed by the OpenSSL Project for use in the OpenSSL Toolkit (<http://www.openssl.org/>)"

THIS SOFTWARE IS PROVIDED BY THE OpenSSL PROJECT "AS IS" AND ANY EXPRESSED OR IMPLIED WARRANTIES, INCLUDING, BUT NOT LIMITED TO, THE

IMPLIED WARRANTIES OF MERCHANTABILITY AND FITNESS FOR A PARTICULAR PURPOSE ARE DISCLAIMED. IN NO EVENT SHALL THE OpenSSL PROJECT OR ITS CONTRIBUTORS BE LIABLE FOR ANY DIRECT, INDIRECT, INCIDENTAL, SPECIAL, EXEMPLARY, OR CONSEQUENTIAL DAMAGES (INCLUDING, BUT NOT LIMITED TO, PROCUREMENT OF SUBSTITUTE GOODS OR SERVICES; LOSS OF USE, DATA, OR PROFITS; OR BUSINESS INTERRUPTION) HOWEVER CAUSED AND ON ANY THEORY OF LIABILITY, WHETHER IN CONTRACT, STRICT LIABILITY, OR TORT (INCLUDING NEGLIGENCE OR OTHERWISE) ARISING IN ANY WAY OUT OF THE USE OF THIS SOFTWARE, EVEN IF ADVISED OF THE POSSIBILITY OF SUCH DAMAGE.

Original SSLeay License

Copyright (C) 1995-1998 Eric Young (eay@cryptsoft.com) All rights reserved.

This package is an SSL implementation written by Eric Young (eay@cryptsoft.com). The implementation was written so as to conform with Netscapes SSL.

This library is free for commercial and non-commercial use as long as the following conditions are aheared to. The following conditions apply to all code found in this distribution, be it the RC4, RSA, lhash, DES, etc., code; not just the SSL code. The SSL documentation included with this distribution is covered by the same copyright terms except that the holder is Tim Hudson (tjh@cryptsoft.com).

Copyright remains Eric Young's, and as such any Copyright notices in the code are not to be removed.

If this package is used in a product, Eric Young should be given attribution as the author of the parts of the library used.

This can be in the form of a textual message at program startup or in documentation (online or textual) provided with the package.

Redistribution and use in source and binary forms, with or without modification, are permitted provided that the following conditions are met:

- 1** Redistributions of source code must retain the copyright notice, this list of conditions and the following disclaimer.
- 2** Redistributions in binary form must reproduce the above copyright notice, this list of conditions and the following disclaimer in the documentation and/or other materials provided with the distribution.
- 3** All advertising materials mentioning features or use of this software must display the following acknowledgement:
"This product includes cryptographic software written by Eric Young (eay@cryptsoft.com)"
The word 'cryptographic' can be left out if the rouines from the library being used are not cryptographic related :-).

-
- 4 If you include any Windows specific code (or a derivative thereof) from the apps directory (application code) you must include an acknowledgement:
“This product includes software written by Tim Hudson
(tjh@cryptsoft.com)”

THIS SOFTWARE IS PROVIDED BY ERIC YOUNG “AS IS” AND ANY EXPRESS OR IMPLIED WARRANTIES, INCLUDING, BUT NOT LIMITED TO, THE IMPLIED WARRANTIES OF MERCHANTABILITY AND FITNESS FOR A PARTICULAR PURPOSE ARE DISCLAIMED. IN NO EVENT SHALL THE AUTHOR OR CONTRIBUTORS BE LIABLE FOR ANY DIRECT, INDIRECT, INCIDENTAL, SPECIAL, EXEMPLARY, OR CONSEQUENTIAL DAMAGES (INCLUDING, BUT NOT LIMITED TO, PROCUREMENT OF SUBSTITUTE GOODS OR SERVICES; LOSS OF USE, DATA, OR PROFITS; OR BUSINESS INTERRUPTION) HOWEVER CAUSED AND ON ANY THEORY OF LIABILITY, WHETHER IN CONTRACT, STRICT LIABILITY, OR TORT (INCLUDING NEGLIGENCE OR OTHERWISE) ARISING IN ANY WAY OUT OF THE USE OF THIS SOFTWARE, EVEN IF ADVISED OF THE POSSIBILITY OF SUCH DAMAGE.

The licence and distribution terms for any publically available version or derivative of this code cannot be changed. i.e. this code cannot simply be copied and put under another distribution licence [including the GNU Public Licence.]

Monotype Imaging License Agreement

- 1 *Software* shall mean the digitally encoded, machine readable, scalable outline data as encoded in a special format as well as the UFST Software.
- 2 You agree to accept a non-exclusive license to use the Software to reproduce and display weights, styles and versions of letters, numerals, characters and symbols (*Typefaces*) solely for your own customary business or personal purposes at the address stated on the registration card you return to Monotype Imaging. Under the terms of this License Agreement, you have the right to use the Fonts on up to three printers. If you need to have access to the fonts on more than three printers, you need to acquire a multi-user license agreement which can be obtained from Monotype Imaging. Monotype Imaging retains all rights, title and interest to the Software and Typefaces and no rights are granted to you other than a License to use the Software on the terms expressly set forth in this Agreement.
- 3 To protect proprietary rights of Monotype Imaging, you agree to maintain the Software and other proprietary information concerning the Typefaces in strict confidence and to establish reasonable procedures regulating access to and use of the Software and Typefaces.
- 4 You agree not to duplicate or copy the Software or Typefaces, except that you may make one backup copy. You agree that any such copy shall contain the same proprietary notices as those appearing on the original.

-
- 5** This License shall continue until the last use of the Software and Typefaces, unless sooner terminated. This License may be terminated by Monotype Imaging if you fail to comply with the terms of this License and such failure is not remedied within thirty (30) days after notice from Monotype Imaging. When this License expires or is terminated, you shall either return to Monotype Imaging or destroy all copies of the Software and Typefaces and documentation as requested.
 - 6** You agree that you will not modify, alter, disassemble, decrypt, reverse engineer or decompile the Software.
 - 7** Monotype Imaging warrants that for ninety (90) days after delivery, the Software will perform in accordance with Monotype Imaging-published specifications, and the diskette will be free from defects in material and workmanship. Monotype Imaging does not warrant that the Software is free from all bugs, errors and omissions.

The parties agree that all other warranties, expressed or implied, including warranties of fitness for a particular purpose and merchantability, are excluded.
 - 8** Your exclusive remedy and the sole liability of Monotype Imaging in connection with the Software and Typefaces is repair or replacement of defective parts, upon their return to Monotype Imaging.

In no event will Monotype Imaging be liable for lost profits, lost data, or any other incidental or consequential damages, or any damages caused by abuse or misapplication of the Software and Typefaces.
 - 9** Massachusetts U.S.A. law governs this Agreement.
 - 10** You shall not sublicense, sell, lease, or otherwise transfer the Software and/or Typefaces without the prior written consent of Monotype Imaging.
 - 11** Use, duplication or disclosure by the Government is subject to restrictions as set forth in the Rights in Technical Data and Computer Software clause at FAR 252-227-7013, subdivision (b)(3)(ii) or subparagraph (c)(1)(ii), as appropriate. Further use, duplication or disclosure is subject to restrictions applicable to restricted rights software as set forth in FAR 52.227-19 (c)(2).
 - 12** You acknowledge that you have read this Agreement, understand it, and agree to be bound by its terms and conditions. Neither party shall be bound by any statement or representation not contained in this Agreement. No change in this Agreement is effective unless written and signed by properly authorized representatives of each party. By opening this diskette package, you agree to accept the terms and conditions of this Agreement.

Energy Saving Control Function

The device comes equipped with a **Low Power Mode** where energy consumption is reduced after a certain amount of time elapses since the device was last used, as well as a **Sleep Mode** where printer and fax functions remain in a waiting state but power consumption is still reduced to a minimum when there is no activity with the device within a set amount of time.

Low Power Mode

The device automatically enters Low Power Mode when 9 minutes have passed since the device was last used. The amount of time of no activity that must pass before Low Power Mode is activated may be lengthened. For more information refer to *Low Power Mode and Auto Low Power Mode on page 3-4*.

Sleep

The device automatically enters Sleep when 29 minutes have passed since the device was last used. The amount of time of no activity that must pass before Sleep is activated may be lengthened. For more information see *Sleep and Auto Sleep on page 3-5*.

Automatic 2-Sided Copy Function

This device includes 2-sided copying as a standard function. For example, by copying two 1-sided originals onto a single sheet of paper as a 2-sided copy, it is possible to lower the amount of paper used. For more information see *Duplex Copying on page 3-16*.

Paper Recycling

This device supports the recycled paper which reduces the load on the environment. Your sales or service representative can provide information about recommended paper types.

Energy Star (ENERGY STAR®) Program



We have determined as a participating company in the International Energy Star Program that this product is compliant with the standards laid out in the International Energy Star Program.

About this Operation Guide

This Operation Guide contains the following chapters.

Chapter 1 - Part Names

Identifies machine parts and operation panel keys.

Chapter 2 - Preparation before Use

Explains adding paper, placing originals, connecting the machine, and necessary configurations before first use.

Chapter 3 - Basic Operation

Describes the procedures for basic copying, printing and scanning.

Chapter 4 - Optional Equipment

Introduces the convenient optional equipment available for this machine.

Chapter 5 - Maintenance

Describes cleaning and toner replacement.

Chapter 6 - Troubleshooting

Explains how to handle error messages, paper jams and other problems.

Appendix

Explains how to enter characters, and lists the machine specifications.

Conventions in This Guide

The following conventions are used depending on the nature of the description.

Convention	Description	Example
Bold	Indicates the operation panel keys or a computer screen.	Press the Start key.
[Regular]	Indicates the touch panel keys.	Press [OK].
<i>Italic</i>	Indicates a message displayed on the touch panel.	<i>Ready to copy</i> is displayed.
	Used to emphasize a key word, phrase or references to additional information.	For more information refer to <i>Sleep and Auto Sleep on page 3-4</i> .
Note	Indicates supplemental information or operations for reference.	NOTE: _____ _____
Important	Indicates items that are required or prohibited so as to avoid problems.	IMPORTANT: _____ _____
Caution	Indicates what must be observed to prevent injury or machine breakdown and how to deal with it.	CAUTION: _____ _____

Description of Operation Procedure

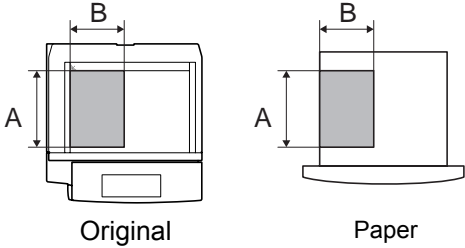
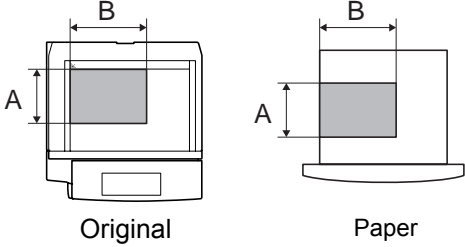
In this Operation Guide, continuous operation of the keys on the touch panel is as follows:

Actual procedure	Description in this Operation Guide
Press [Copy]. ▼ Press [Next] of <i>Quick Setup</i> . ▼ Press [▼] twice. ▼ Press [Change] of <i>Original Image</i> .	Press [Copy], [Next] of <i>Quick Setup</i> , [▼] twice, and then [Change] of <i>Original Image</i> .

Originals and Paper Sizes

This section explains the notation used in this guide when referring to sizes of originals or paper sizes.





As with A4, B5 and Letter, which may be used either in the horizontal or vertical direction, horizontal direction is indicated by an additional letter R in order to indicate the orientation of the original/paper.

Placement direction	Indicated size *
<p>Vertical direction</p>  <p>Original Paper</p> <p>For the originals/paper, dimension A is longer than B.</p>	<p>A4, B5, A5, B6, A6, 16K, Letter, Statement</p>
<p>Horizontal direction</p>  <p>Original Paper</p> <p>For the originals/paper, dimension A is shorter than B.</p>	<p>A4-R, B5-R, A5-R, B6-R, A6-R, 16K-R, Letter-R, Statement-R</p>

* The size of the original/paper that can be used depends on the function and source tray. For further details, refer to the page detailing that function or source tray.

Icons on the Touch Panel

The following icons are used to indicate originals and paper placement directions on the touch panel.

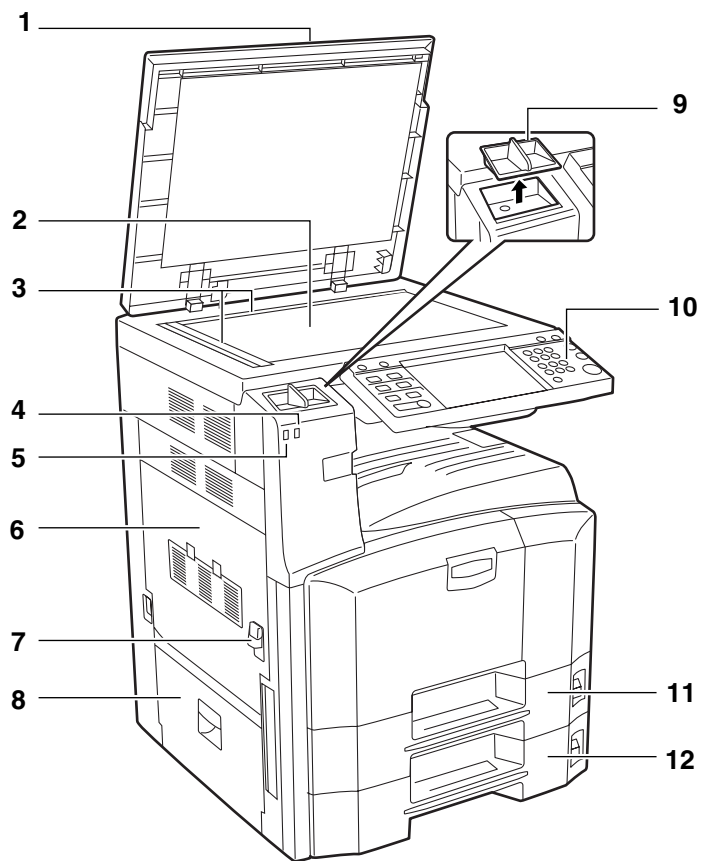
Placement direction	Originals	Paper
Vertical direction		
Horizontal direction		

1 Part Names

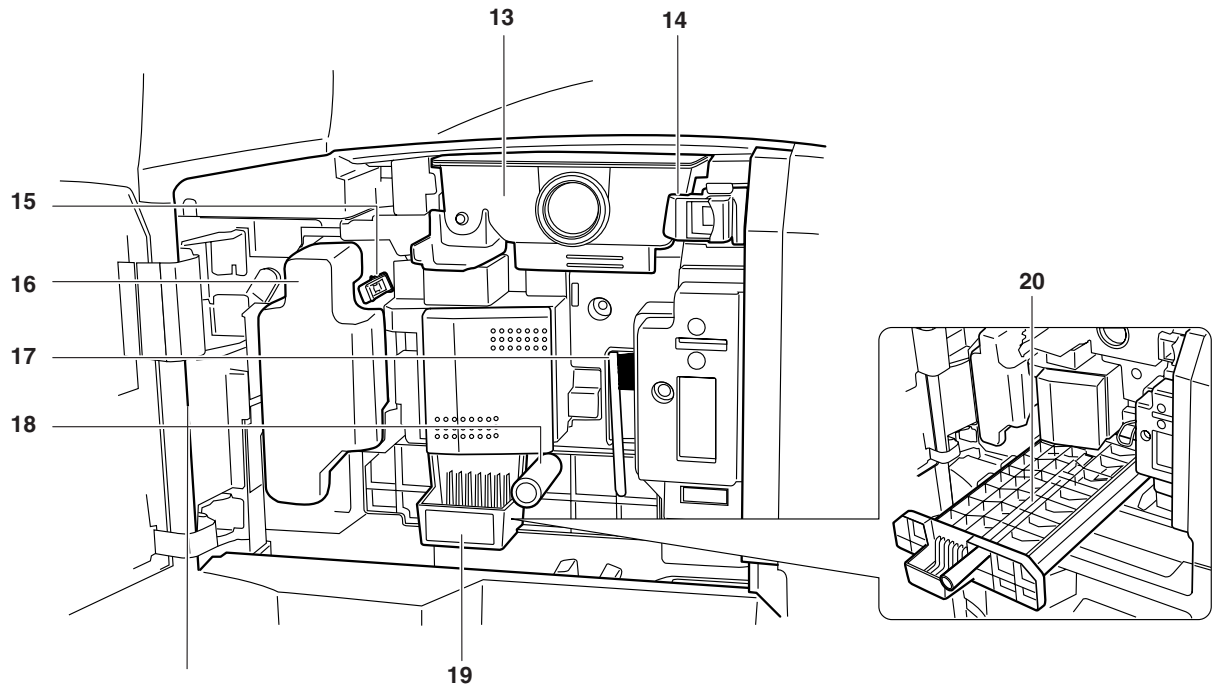
This chapter identifies the machine parts and operation panel keys.

- Machine..... 1-2
- Operation Panel 1-5

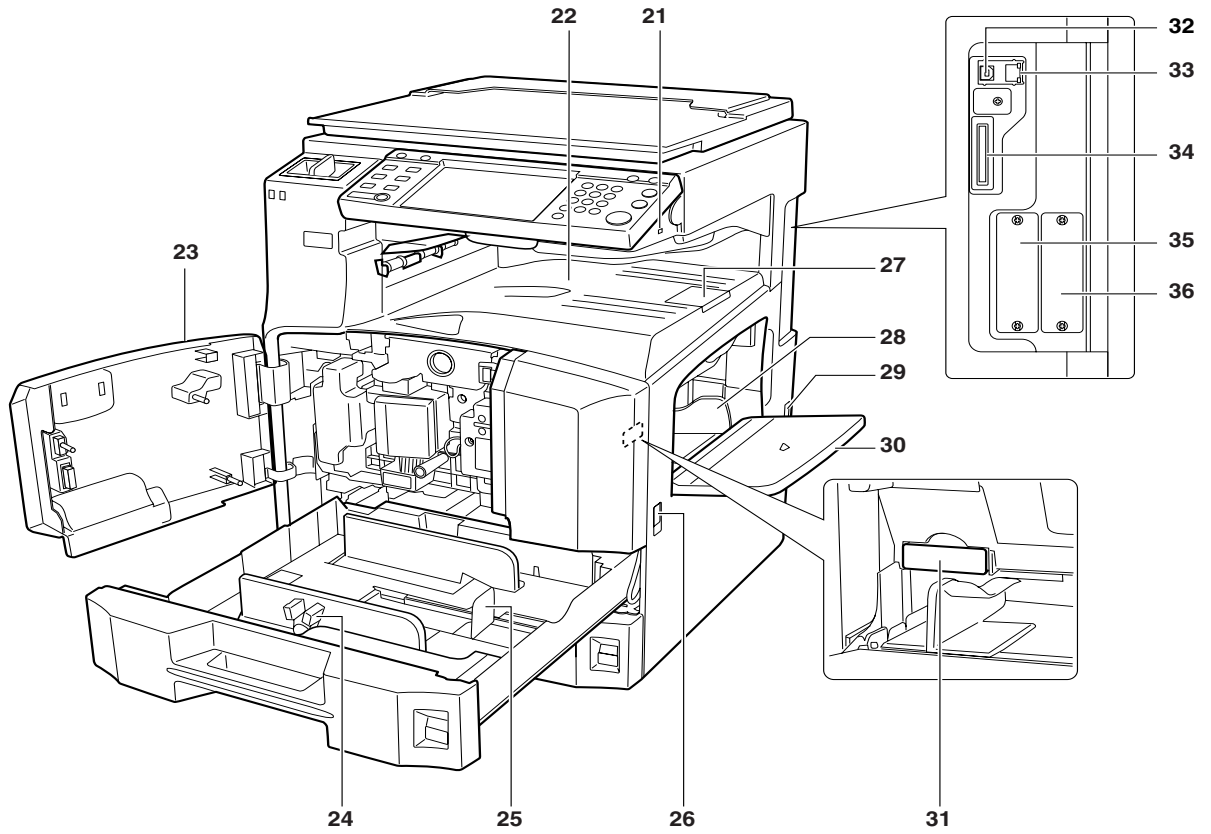
Machine



- 1** Original Cover (Option)
- 2** Platen
- 3** Original Size Indicator Plates
- 4** Error Indicator ... Blinks when an error occurs and a job is stopped
- 5** Receive Indicator ... Blinks while data is received
- 6** Left Cover 1
- 7** Left Cover 1 Lever
- 8** Left Cover 2
- 9** Clip Holder
- 10** Operation Panel
- 11** Cassette 1
- 12** Cassette 2



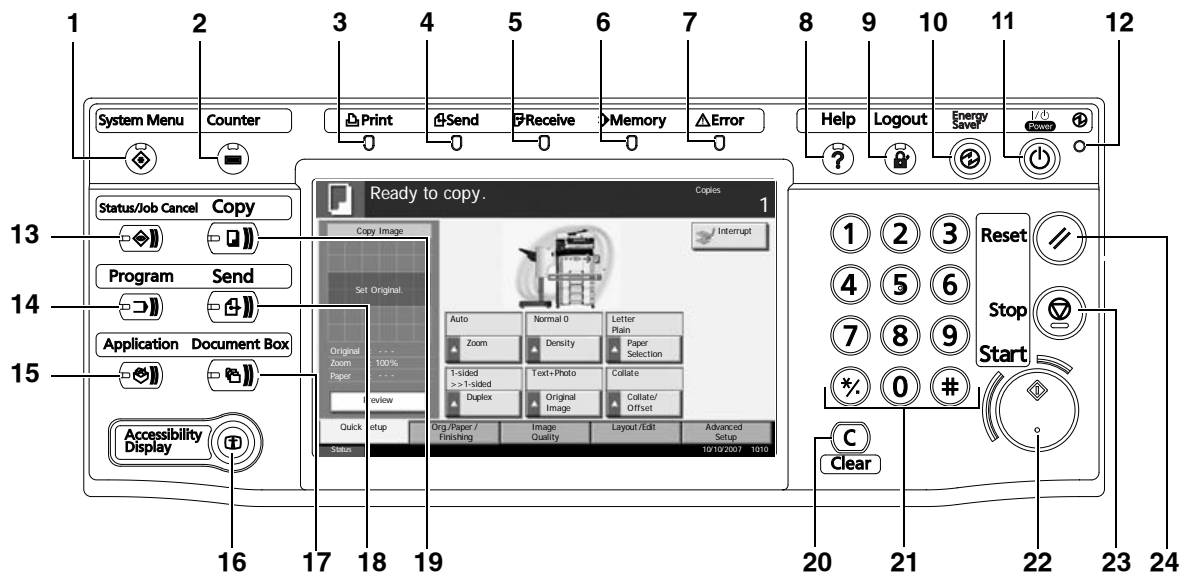
- 13** Toner Container
- 14** Toner Container Stopper
- 15** Cleaner Rod
- 16** Waste Toner Box
- 17** Cleaning Brush
- 18** Green Knob (A1)
- 19** Paper Feed Unit (A2)
- 20** Paper Feed Unit Cover (A3)



- 21** USB Memory Slot (A1)
- 22** Top Tray
- 23** Front Cover
- 24** Paper Width Adjusting Tab
- 25** Paper Length Guide
- 26** Carrying Handles
- 27** Output Stopper
- 28** Paper Width Guides
- 29** Main Power Switch
- 30** Multi Purpose (MP) Tray
- 31** Memory Card Cover
- 32** USB Interface Connector
- 33** Network Interface Connector
- 34** Memory Card Slot
- 35** Option Interface Slot (OPT1)
- 36** Option Interface Slot (OPT2)

Operation Panel

1



- 1 **System Menu Key/Indicator**
- 2 **Counter Key/Indicator**
- 3 **Print Indicator** ... Blinks during printing operation
- 4 **Send Indicator** ... Blinks while data is transmitted
- 5 **Receive Indicator** ... Blinks while data is received
- 6 **Memory Indicator** ... Blinks while the machine is accessing the hard disk, fax memory, Data Backup Kit (Option) or USB memory (general-purpose item)
- 7 **Error Indicator** ... Blinks when an error occurs and a job is stopped
- 8 **Help Key/Indicator**
- 9 **Logout Key/Indicator**
- 10 **Energy Saver Key/Indicator**
- 11 **Power Key**
- 12 **Main Power Indicator**
- 13 **Status/Job Cancel Key/Indicator**
- 14 **Program Key/Indicator**
- 15 **Application Key**
- 16 **Accessibility Display Key/Indicator**
- 17 **Document Box Key/Indicator**
- 18 **Send Key/Indicator**
- 19 **Copy Key/Indicator**
- 20 **Clear Key**
- 21 **Numeric Keys**

- 22 Start** Key/Indicator
- 23 Stop** Key
- 24 Reset** Key

2 Preparation before Use

This chapter explains the preparations before using this equipment for the first time as well as the procedures for loading papers and originals.

- Determining the Connection Method and Preparing Cables 2-3
- Connecting Cables 2-5
- Setting Date and Time..... 2-8
- Configuring a Network (LAN Cable Connection)..... 2-10
- Accessing EWS (Embedded Web Server) and Transmission)..... 2-12
- TCP/IP Settings..... 2-13
- Sending E-mail 2-15
- User Login Administration 2-27
- Installing Software 2-30
- Selecting the Default Screen (Optional) 2-31
- Changing Language (Optional) 2-33
- Loading Paper 2-34
- Loading Originals 2-47

Check bundled items

Check that the following items have been bundled.

- Operation Guide (This Guide)
- CD-ROM(Product Library)
- CD-ROM(TWAIN compatible application)

Documents Contained in the Included CD-ROM

The following documents are contained in the included CD-ROM (Product Library). Refer to them as necessary.

Documents

Advanced Operation Guide

KX Printer Driver Operation Guide

Network FAX Driver Operation Guide

Embedded Web Server Operation Guide

Network Tool for Clients Operation Guide

Network Tool for Direct Printing Operation Guide

Determining the Connection Method and Preparing Cables

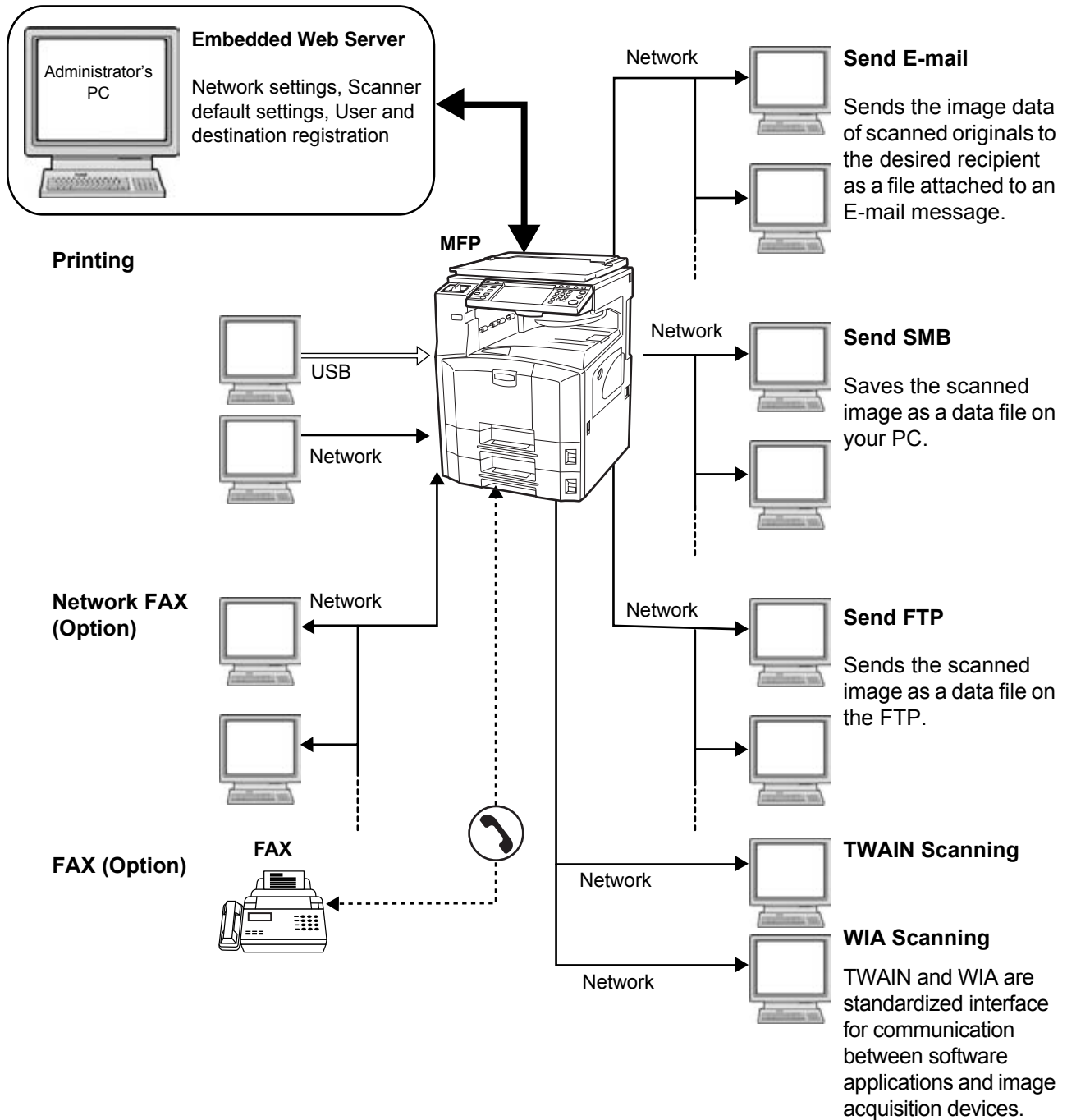
Check the method to connect the equipment to a PC or network, and prepare the necessary cables.

2

Connection Example

Determine the method to connect the equipment to a PC or network by referring to the illustration below.

Connecting a scanner to your PC network with a network cable (100BASE-TX or 10BASE-T)



Preparing Necessary Cables

The following interfaces are available to connect the equipment to a PC. Prepare the necessary cables according to the interface you use.

Available Standard Interfaces

Function	Interface	Necessary Cable
Printer/Scanner /Network FAX*	Network interface	LAN (10Base-T or 100Base-TX, Shielded)
Printer	USB interface	USB2.0 compatible cable (Hi-Speed USB compliant, Max. 5.0 m, Shielded)

* Function available when using optional fax kit. For details on Network FAX, refer to *the Fax Kit Operation Guide*.

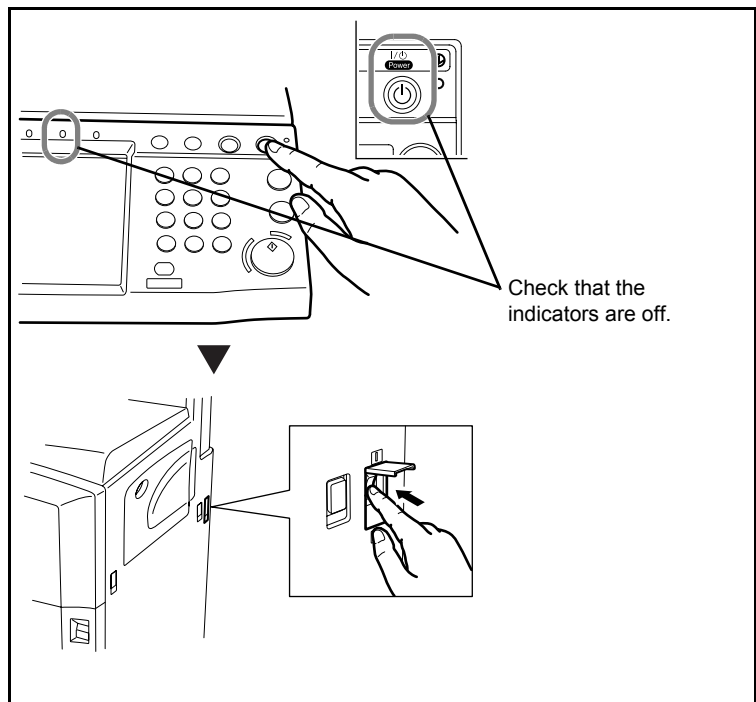
Connecting Cables

Connecting LAN Cable (Optional)

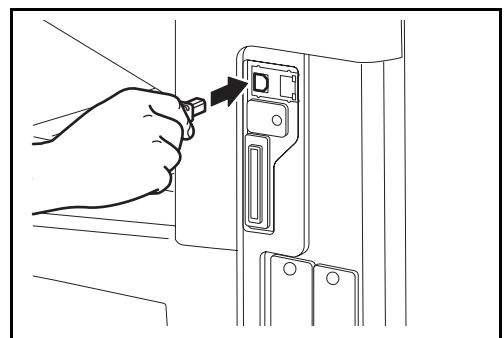
Follow the steps below to connect a LAN cable to the machine.

2

- 1** When the machine is powered up, first press the **Power** key on the operation panel. Check that the **Power** indicator and the memory indicator are off. After this, turn off the main power switch.



- 2** Connect the LAN cable to the network interface located on right side of the body.

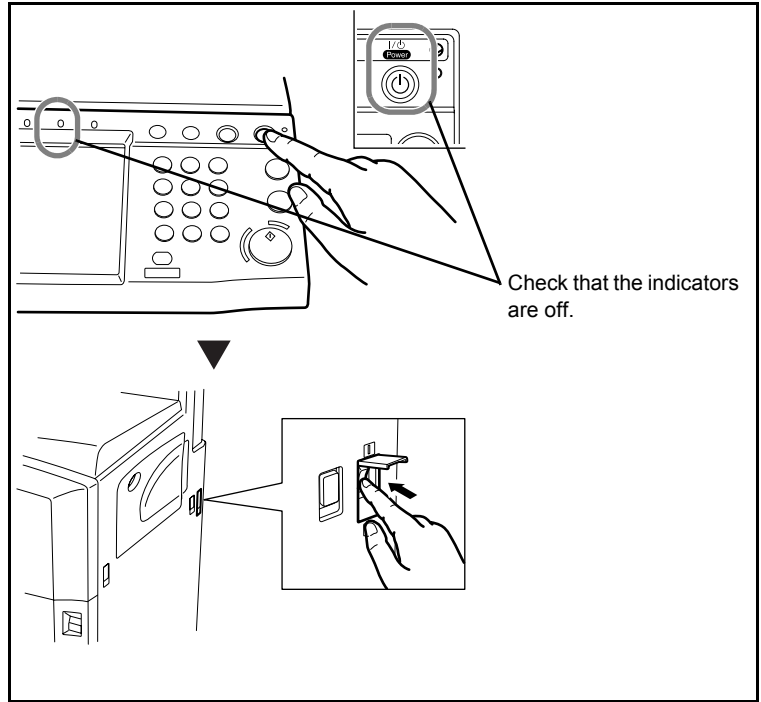


- 3** Connect the other end of the cable to the hub.
- 4** Configure the network. For details, refer to *Configuring a Network (LAN Cable Connection)* on page 2-10.

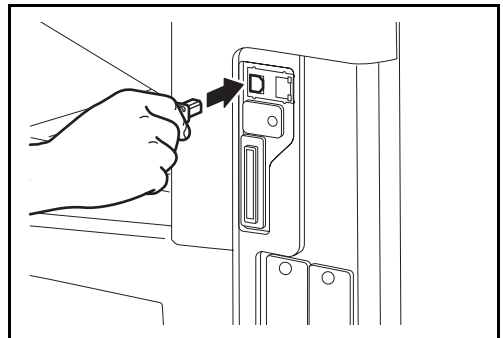
Connecting USB Cable

Follow the steps below to connect a USB cable to the machine.

- 1** When the machine is powered up, first press the **Power** key on the operation panel. Check that the **Power** indicator and the memory indicator are off. After this, turn off the main power switch.



- 2** Connect the USB cable to the appropriate interface located on the right side of the body.



- 3** Connect the other end of the cable to the PC.

Connecting the Power Cable

Connect one end of the supplied power cable to the machine and the other end to a power outlet.

IMPORTANT: Only use the power cable that comes with the machine.

2

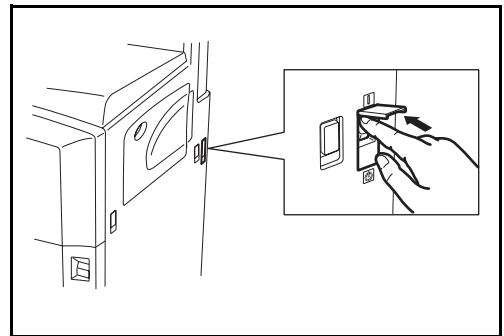
Setting Date and Time

Follow the steps below to set the local date and time at the place of installation.

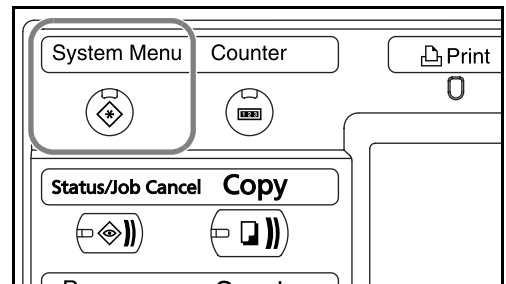
When you send an E-mail using the transmission function, the date and time as set here will be printed in the header of the E-mail message. Set the date, time and time difference from GMT of the region where the machine is used.

NOTE: Be sure to set the time difference before setting the date and time.

- 1** Turn on the main power switch.

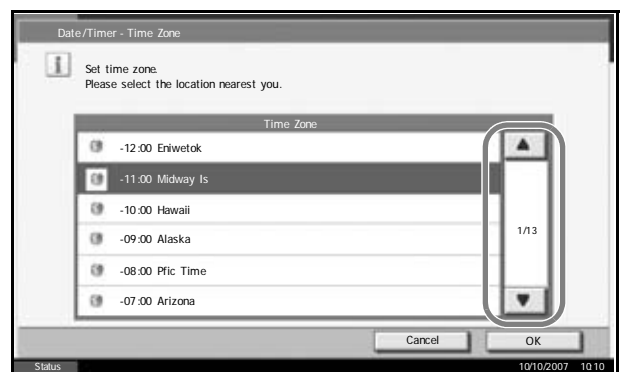


- 2** Press the **System Menu** key.



- 3** Press [▼], [Date/Timer] and then [Change] of *Time Zone*.

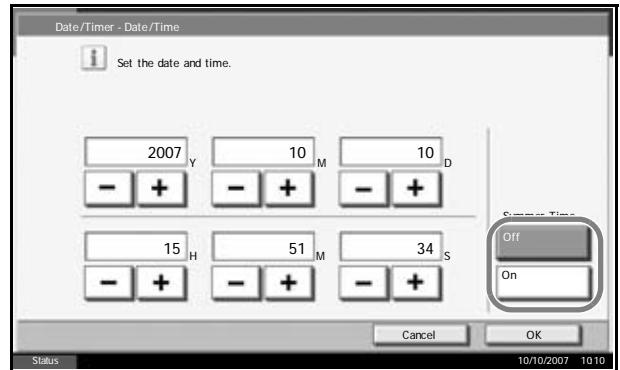
- 4** Select the region and press [OK].



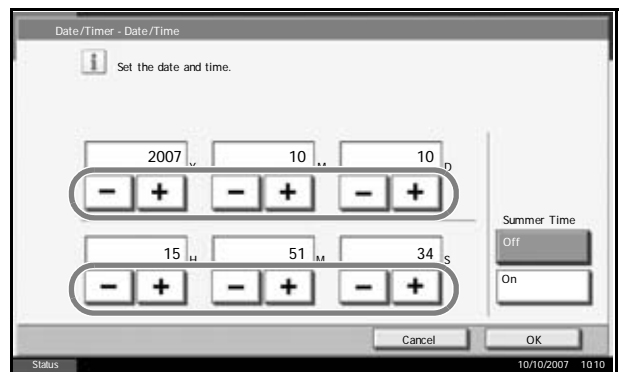
NOTE: Press [▲] or [▼] to view the next region.

5 Press [Change] of *Date/Time*.

6 Press [Off] or [On] of *Summer Time*.



7 Set the date and time. Press [+] or [-] in each setting.



NOTE: Settings are Year (Y), Month (M), Date (D), Hour (H), Minute (M) and Second (S).

8 Press [OK].

9 When exiting, press [Return to Top] repeatedly to return to the System Menu default screen.

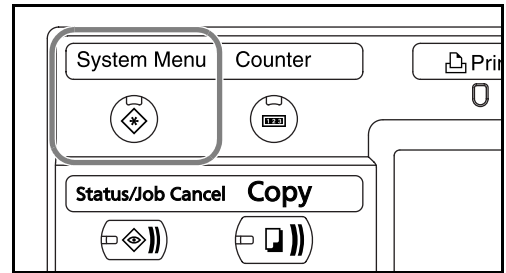
Configuring a Network (LAN Cable Connection)

The machine comes with a standard network interface and supports each of TCP/IP, IPX/SPX, NetBEUI and AppleTalk protocols, allowing network printing on various platforms such as Windows, Macintosh, UNIX and NetWare.

Setting TCP/IP (When Using Fixed IP Address)

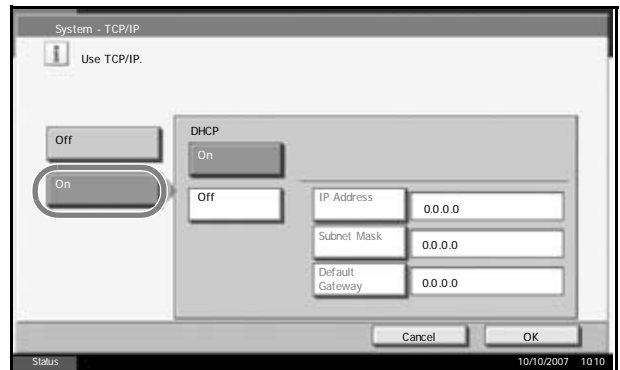
Follow the steps below to set TCP/IP when a fixed IP address is used. Make sure that an IP address is available by asking your network administrator to obtain it in advance.

- 1 Press the **System Menu** key.



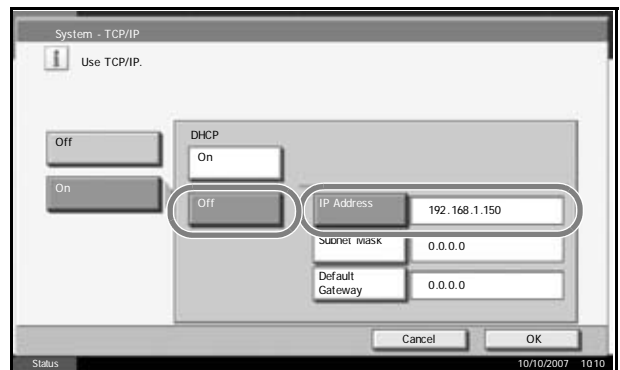
- 2 Press [System], [Next] of *Network* and then [Change] of *TCP/IP*.

- 3 Press [On] of *TCP/IP*.



- 4 Press [Off] of *DHCP*.

- 5 Press [IP Address] and enter the IP address using the numeric keys.

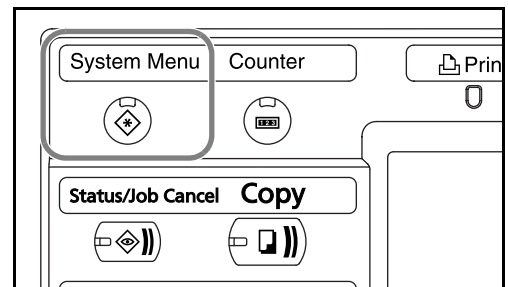


- 6 Press [Subnet Mask] and enter the address using the numeric keys.
- 7 Press [Default Gateway] and enter the address using the numeric keys.
- 8 Check that all addresses are entered correctly, and press [OK].
- 9 Press the **Power** key, and after confirming that the **Power** key/indicator and memory indicator have turned off, turn the main power switch off and on.

Setting TCP/IP (When Using DHCP)

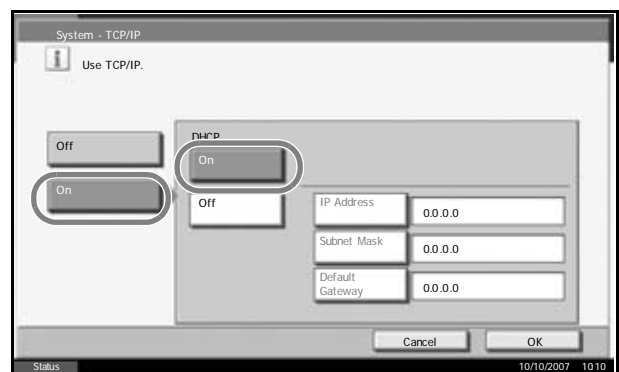
Follow the steps below to set TCP/IP when a DHCP server is available.

- 1 Press the **System Menu** key.



- 2 Press [System], [Next] of *Network* and then [Change] of *TCP/IP*.

- 3 Press [On] of *TCP/IP* and [On] of *DHCP*.



- 4 Press [OK].
- 5 Press the **Power** key, and after confirming that the **Power** key/indicator and memory indicator have turned off, turn the main power switch off and on.

Accessing EWS (Embedded Web Server) (Settings for Network and Transmission)

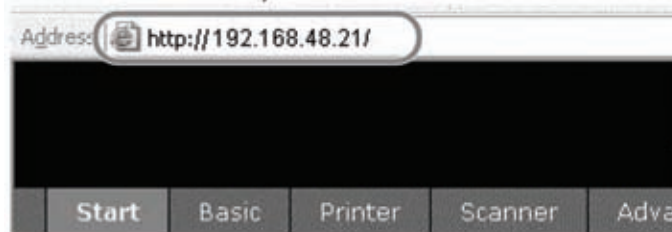
EWS (Embedded Web Server) is a tool used for tasks such as verifying the operating status of the machine and changing the settings for security, network printing, E-mail transmission and advanced networking.

NOTE: Here, information on the FAX settings has been omitted. For more information on using the FAX, refer to *the Fax Kit Operation Guide*.

The procedure for accessing EWS (Embedded Web Server) is explained below.

- 1** Launch your Web browser.
- 2** In the Address or Location bar, enter the machine's IP address.
E.g.) `http://192.168.48.21/`

The web page displays basic information about the machine and EWS (Embedded Web Server) as well as their current status.



- 3** Select a category from the navigation bar on the left of the screen. The values for each category must be set separately.

If restrictions have been set for EWS (Embedded Web Server), enter the correct user name and password to access pages other than the startup page.

TCP/IP Settings

Use this page to specify the settings required for network printing and sending E-mail.

The procedure for specifying the TCP/IP settings is explained below.

- 1 Click Advanced -> Protocols -> TCP/IP -> General.

Start Basic Printer Scanner FAX / i-FAX Jobs Document Box **Advanced**

Advanced > Protocols: TCP/IP: General

TCP/IP General

Protocols

- TCP/IP **General**
- NetWare IP Filters
- IPP Logical Printers
- AppleTalk
- NetBEUI
- E-mail
- SMTP
- POP3

Host Name: KM5D016A

IP Address: 192.168.48.21

Subnet Mask: 255.255.248.0

Default Gateway: 192.168.48.22

DNS Server (Primary):

DNS Server (Secondary):

WINS Server (Primary):

WINS Server (Secondary):

- 2 Enter the correct settings in each field.

Start Basic Printer Scanner FAX / i-FAX Jobs Document Box **Advanced**

Advanced > Protocols: TCP/IP: General

TCP/IP General

General | IP Filters | Logical Printers

General Settings

Host Name: KM5D016A

IP Address: 192.168.48.21

Subnet Mask: 255.255.248.0

Default Gateway: 192.168.48.22

DHCP/BOOTP: On Off

RARP: On Off

DNS Server (Primary): 10.183.48.252

DNS Server (Secondary): 10.11.8.113

Domain Name: test.kyoceramita.co.jp

WINS Server (Primary): 10.183.48.252

WINS Server (Secondary):

Scope ID:

FTP Status Check: On Off

Submit Cancel

The settings to be specified in the TCP/IP settings screen are explained below.

Item	Description
Host Name	Specifies a name for the machine system network component. This name is also used as the NetBEUI Printer Name and the SNMP sysName object.
IP Address	Assigns the Internet Protocol address on the machine system network component. The format of the IP Address is four-byte (32-bit) numbers separated by dots, e.g. 192.168.48.21.
Subnet Mask	Specifies the subnet mask configured on the machine system network component. If the machine system does not automatically assign a usable default value and the first number in the IP address is from 192 to 254, then use 255.255.255.0 as the subnet mask.
Default Gateway	The IP address of the gateway router for the local network.
DHCP/BOOTP	Identifies how the machine obtains its IP configuration: DHCP/BOOTP: automatic configuration via a BOOTP server or a DHCP server.
RARP	Automatic configuration using the Reverse Address Resolution Protocol.
DNS Server (Primary, Secondary)	The IP address of the primary and secondary Domain Name System (DNS) servers.
Domain Name	The Domain Name System (DNS) to which the machine system belongs, such as abcdnet.com. It should not include the host machine name.
WINS Server (Primary, Secondary)	The IP address of the primary and secondary Windows Internet Name Service (WINS) servers.
Scope ID	This section determines the scope of IP addresses that a Windows server can grant or lease to any requesting network component. A DHCP server processes the machine system's discovery broadcasts and returns an IP address to it. The DHCP server may be set up to grant an IP address for a limited time (a temporary lease) or for an unlimited time (an unlimited lease), or it may be configured with a permanent address reservation for the machine system.
FTP Status Check	Enables or disables the FTP Status Check.

3 Click Submit.

4 After completing the settings, restart the machine to save the settings.

Sending E-mail

Specifying the SMTP settings allows you to send images loaded onto this machine as E-mail attachments.

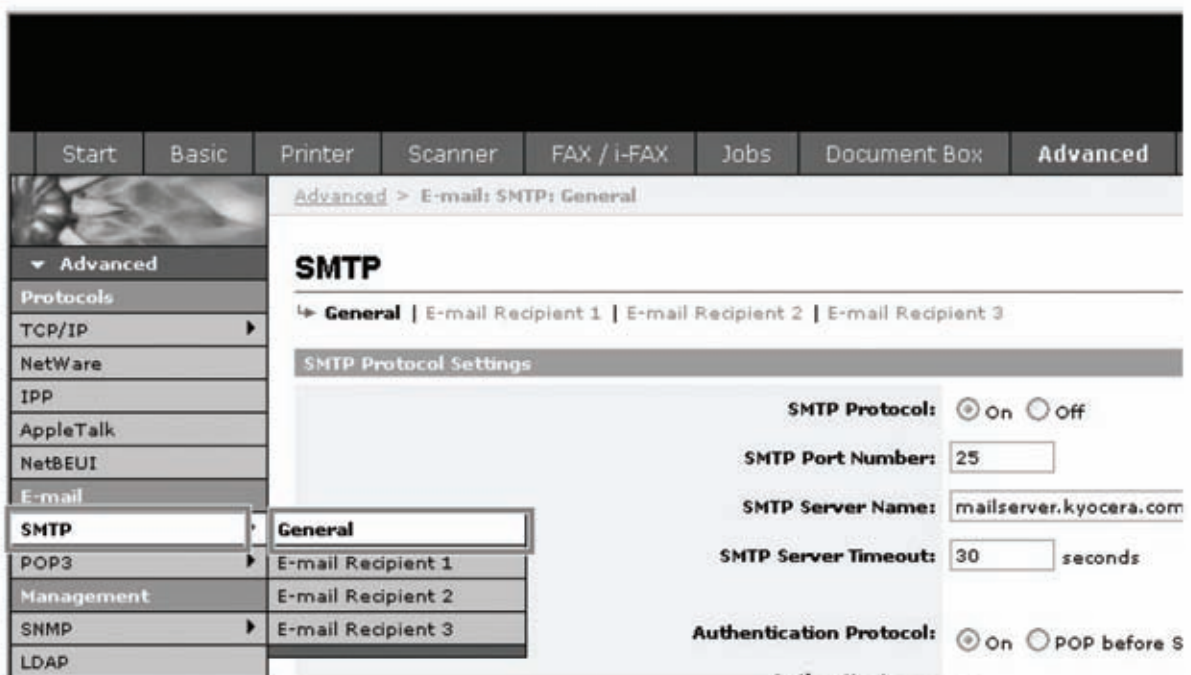
To use this function, this machine must be connected to a mail server using the SMTP protocol.

Before sending images loaded onto this machine as E-mail attachments, check the following:

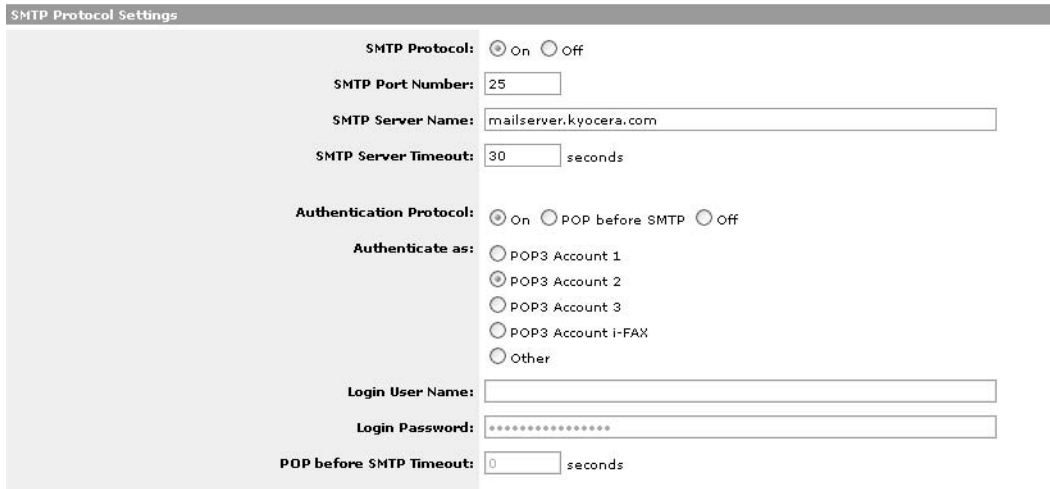
- The network environment used to connect this machine to the mail server
A full-time connection via a LAN is recommended.
- SMTP Settings
Use EWS (Embedded Web Server) to register the IP address and host name of the SMTP server.
- If limits have been set on the size of E-mail messages, it may not be possible to send very large E-mails.

The procedure for specifying the SMTP settings is explained below.

- 1 Click Advanced -> SMTP -> General.



2 Enter the correct settings in each field.



The settings to be specified in the SMTP settings screen are shown below.

Item	Description
SMTP Protocol	Enables or disables SMTP protocol. To use E-mail, this protocol must be enabled.
SMTP Port Number	Set the SMTP Port Number or use the SMTP default port 25.
SMTP Server Name	Enter the SMTP server IP address or its name. The maximum length of the SMTP server name and IP address is 62 characters. If entering the name, a DNS server address must also be configured. The DNS server address may be entered on the TCP/IP General tab.
SMTP Server Timeout	Enter the default time out for the server in seconds.
Authentication Protocol	Enables or disables the SMTP authentication protocol or sets POP before SMTP as the protocol. The SMTP authentication supports Microsoft Exchange 2000.
Authenticate as	Authentication can be set from three POP3 accounts or you can choose a different account.
Login User Name	When Other is selected for Authenticate, the login user name set here will be used for SMTP authentication. The maximum length of the login user name is 62 characters.
Login Password	When Other is selected for Authenticate, the password set here will be used for authentication. The maximum length of the login password is 62 characters.
POP before SMTP Timeout	Enter the timeout (in seconds) if you chose POP before SMTP as the Authentication Protocol.
Test	This will test if the SMTP connection can be successfully established.
E-mail Size Limit	Enter the maximum size of E-mail that can be sent in kilobytes. When the value is 0, the limitation for E-mail size is disabled.

Item	Description
Sender Address	Enter the E-mail address of the person responsible for the scanner system, such as the machine administrator, so that a reply or non-delivery report will go to a person rather than to the machine. The sender address must be entered correctly for SMTP authentication. The maximum length of the sender address is 126 characters.
Signature	Enter the signature. The signature is free form text that will appear at the end of the E-mail body. It is often used for further identification of the machine. The maximum length of the signature is 126 characters.
Domain Restriction	Enter the domain names that can be permitted or rejected. The maximum length of the domain name is 30 characters. You can also specify E-mail addresses.

2

3 Click Submit.

SMB Settings

The SMB function allows you to store scanned images on a computer connected to the network.

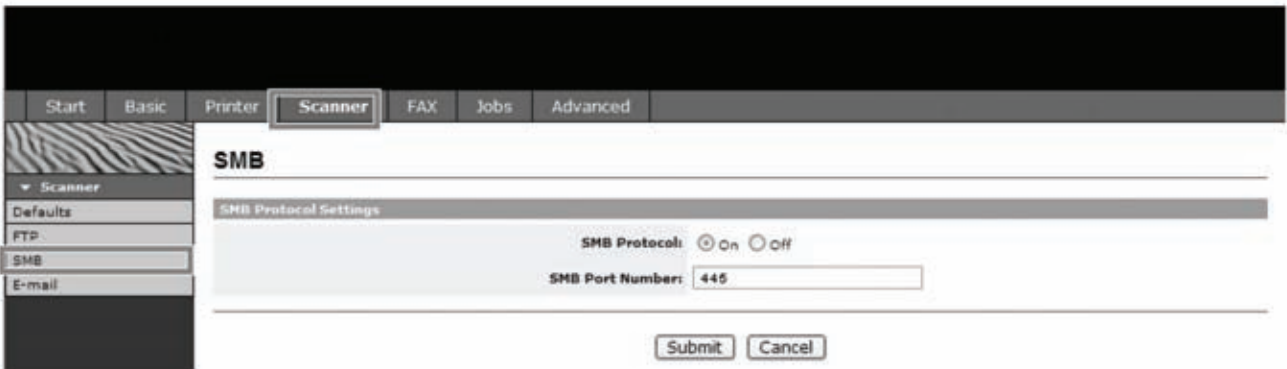
To use this function, register the following information:

- Login User Name
- Login Password
- SMB Port Number (normally 139)
- The computer's IP address and host name
- The computer path (to the destination folder to be used for the saved images)
- Destination folder sharing (Writable shared folder)

The user name and password set using the operation panel are also used to log on to the computer where the destination folder is located. Set the access privileges for the folder in Windows on the computer where the folder is located.

This section explains the procedure for specifying the SMB settings in EWS (Embedded Web Server).

- 1 Click Scanner -> SMB.



- 2 Enter the correct settings in each field.

The settings to be specified in the SMB settings screen are shown below.

Item	Description
SMB Protocol	Switches the SMB Protocol on or off.
SMB Port Number	You can enter the port number to be used by SMB.

- 3 Click Submit.

FTP Settings

This function converts image files scanned using this machine to the PDF, TIFF, or JPEG format and saves them before uploading them directly to the FTP server.

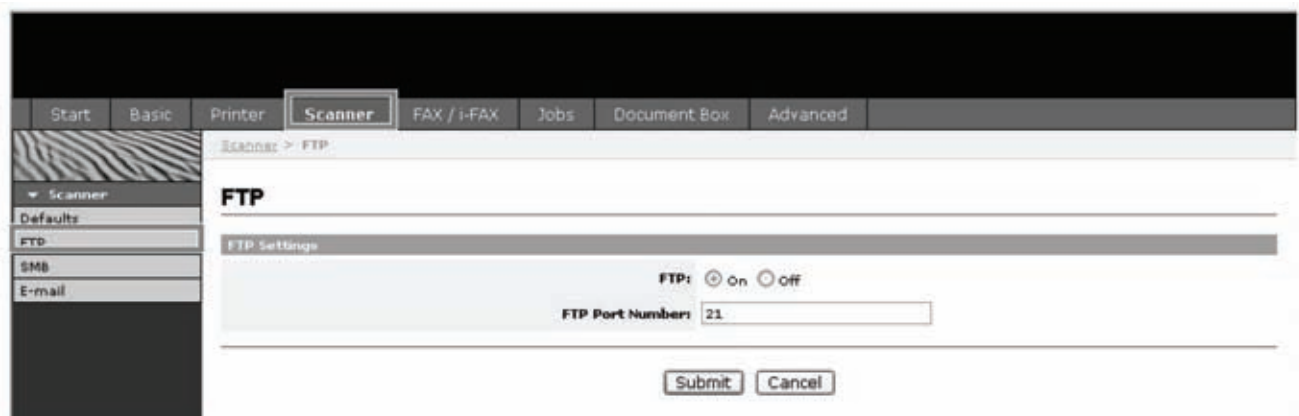
To use this function, register the information below. If you are unsure about this information, contact your system administrator.

- Login User Name
- Login Password
- FTP Port Number (normally 21)
- FTP server IP address and host name
- FTP path (to the destination folder to be used for the saved images)
- Sharing of the FTP server save destination (Writable shared folder)

The login user name and login password registered using the operation panel are also used for FTP login. Set up and manage user accounts on the FTP server.

This section explains the procedure for specifying the FTP settings in EWS (Embedded Web Server).

- 1 Click Scanner -> FTP.



- 2 Enter the correct settings in each field.

The settings to be specified in the FTP settings screen are shown below.

Item	Description
FTP	Switches FTP on or off.
FTP Port Number	You can enter the port number to be used by FTP.

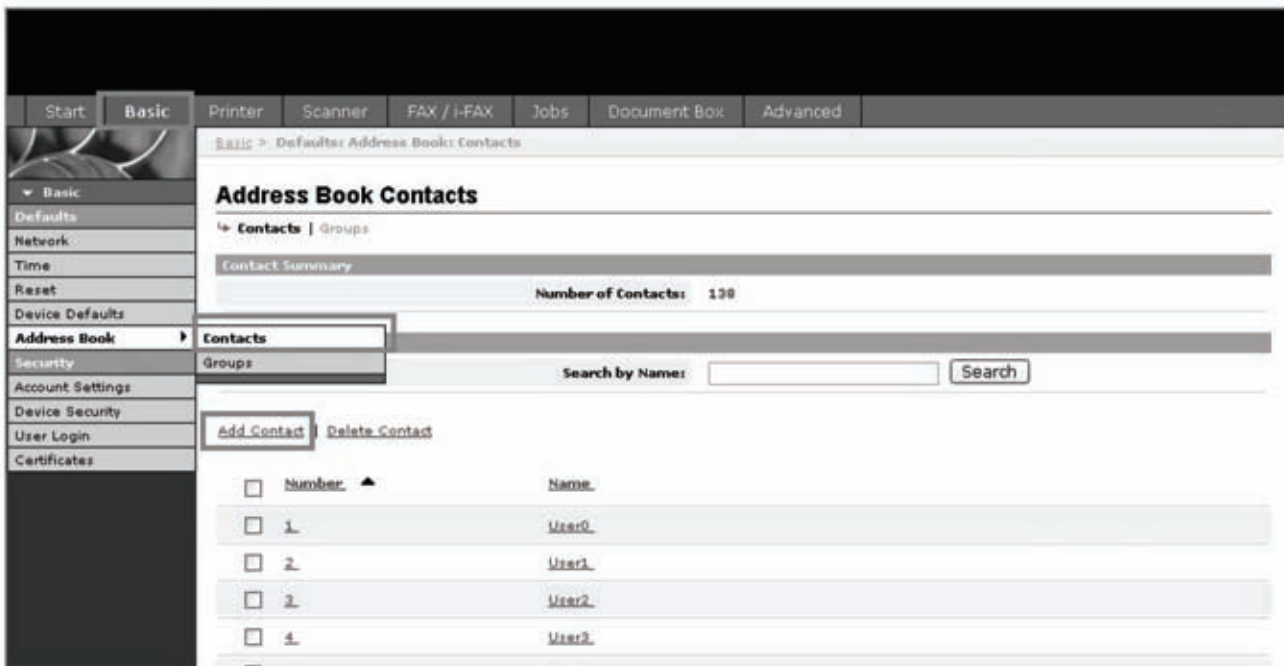
- 3 Click Submit.

Storing Information in the Address Book

You can use the machine's operation panel to store E-mail addresses, paths to folders (SMB) on a PC, the FTP server path and fax numbers in the built-in Address Book.

You can also use EWS (Embedded Web Server) to add, edit and delete individual contacts and group contacts in the Address Book.

- 1 Click Basic -> Address Book Contacts -> Add Contact.



- 2 Enter the correct settings in each field.

- Basic
- Defaults
- Network
- Time
- Reset
- Device Defaults
- Address Book
- Security
- Account Settings
- Device Security
- User Login
- Certificates

Address Book Contacts - Add

Contacts | Groups

Contact Information

Number:

Name:

E-mail

E-mail Address:

SMB

Host Name:

Note:
To Specify a port, add the port number following the IP Address separated by a colon (ex.: 192.168.0.1:23).

Path:

Login User Name:

Login Password:

FTP

The settings to be specified in the Address Book Contacts settings screen are shown below.

Item	Description
Number	Select the number of this address book.
Name	Enter the registration name. The maximum length of the registration name is 32 characters.
E-Mail Address	Enter the E-mail address.
Host Name	SMB: Enter the IP address or host name of the destination. FTP: Enter the FTP server IP address or its name. The maximum length of the host name is 62 characters.
Path	Enter the path of the required folder for uploading data. For example, to store data in the ScannerData folder in the home directory, enter <code>\ScannerData</code> .
Login User Name	SMB: Enter the login user name for the destination. FTP: Enter the login user name for the FTP server. The maximum length of the login user name is 62 characters.
Login Password	SMB: Enter the login password for the destination. FTP: Enter the login password for the FTP server. The maximum length of the login user name is 62 characters.

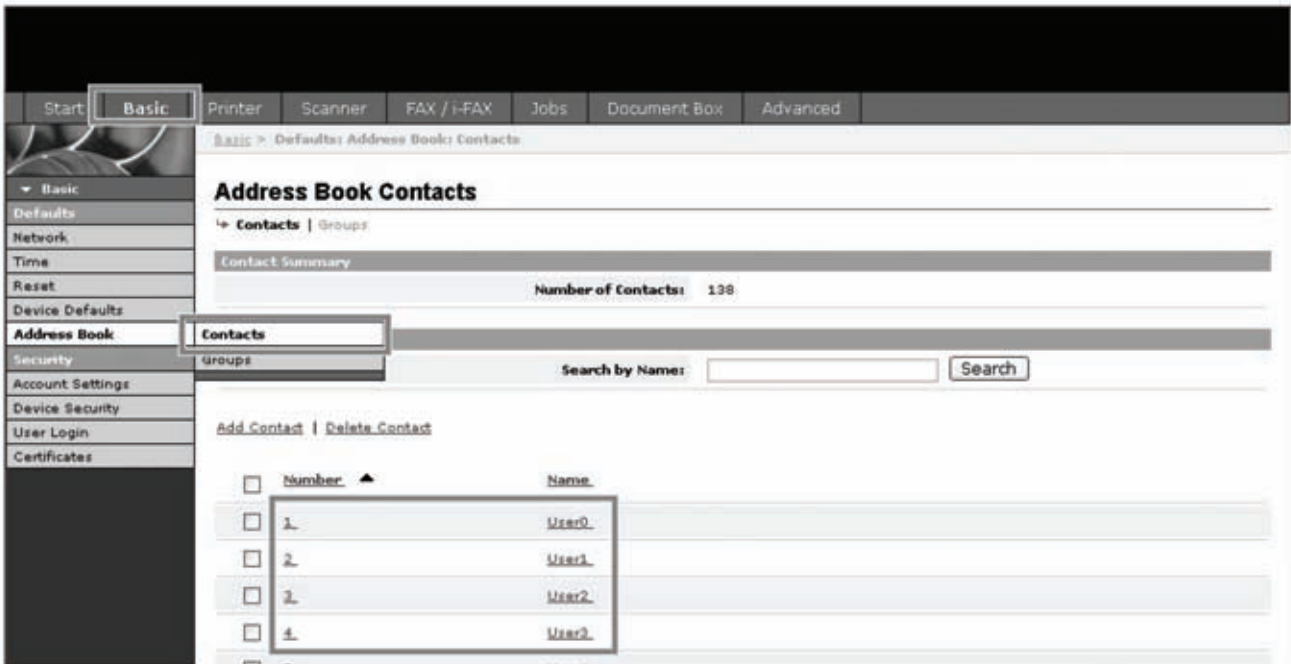
2

3 Click Submit.

Editing Address Book Contacts

The procedure for editing information on the Address Book Contacts page is explained below.

- 1 Click Basic -> Address Book Contacts -> Number or Name of the contact.



- 2 Modify the contact information.

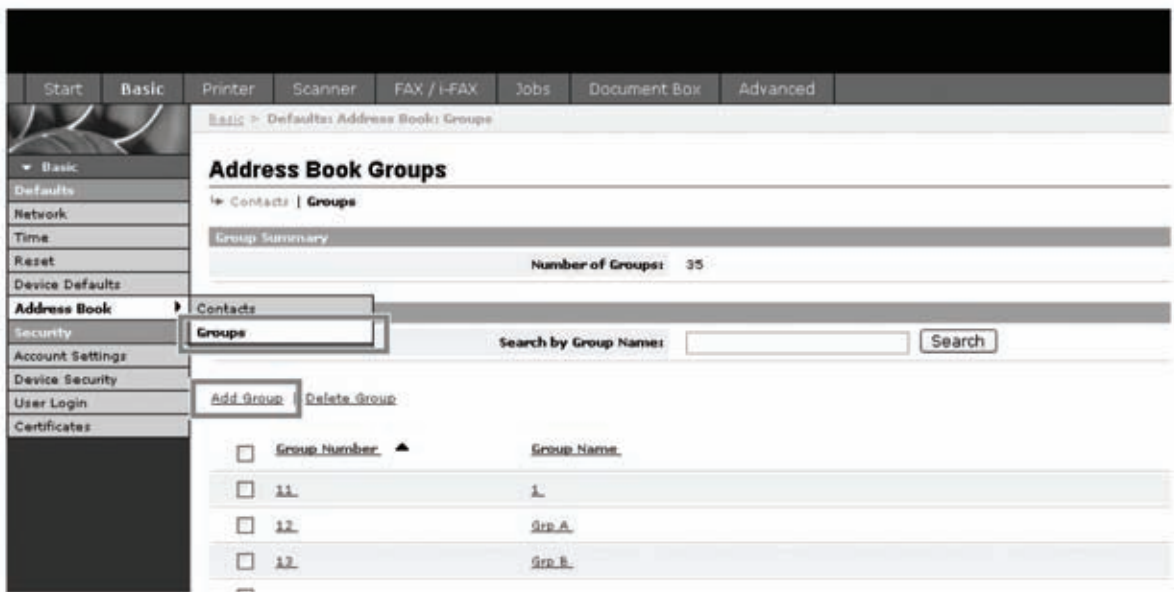


- 3 Click Submit.

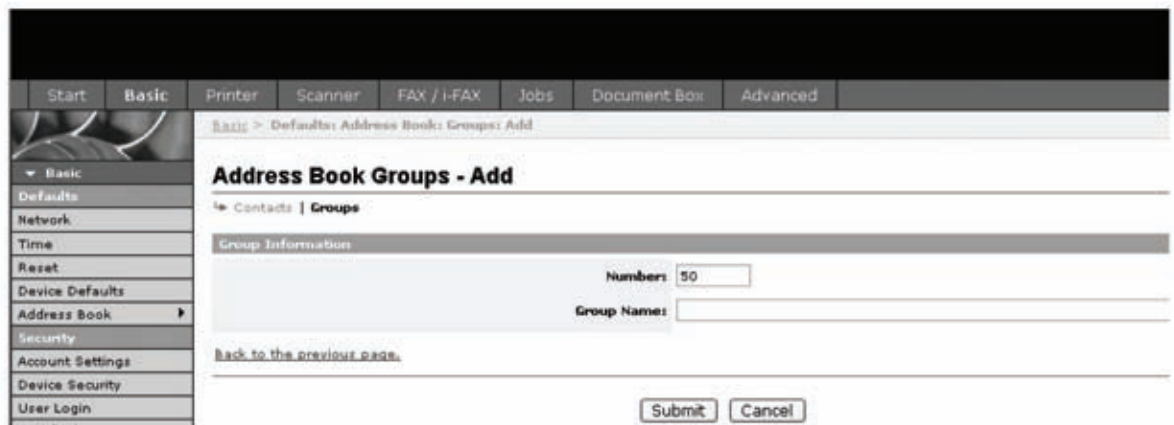
Adding a New Group

The procedure for adding a new group to the Address Book is explained below.

- 1 Click Basic -> Address Book Groups -> Add Group.



- 2 Enter the correct settings in each field.



Enter the following settings in the Add Group screen.

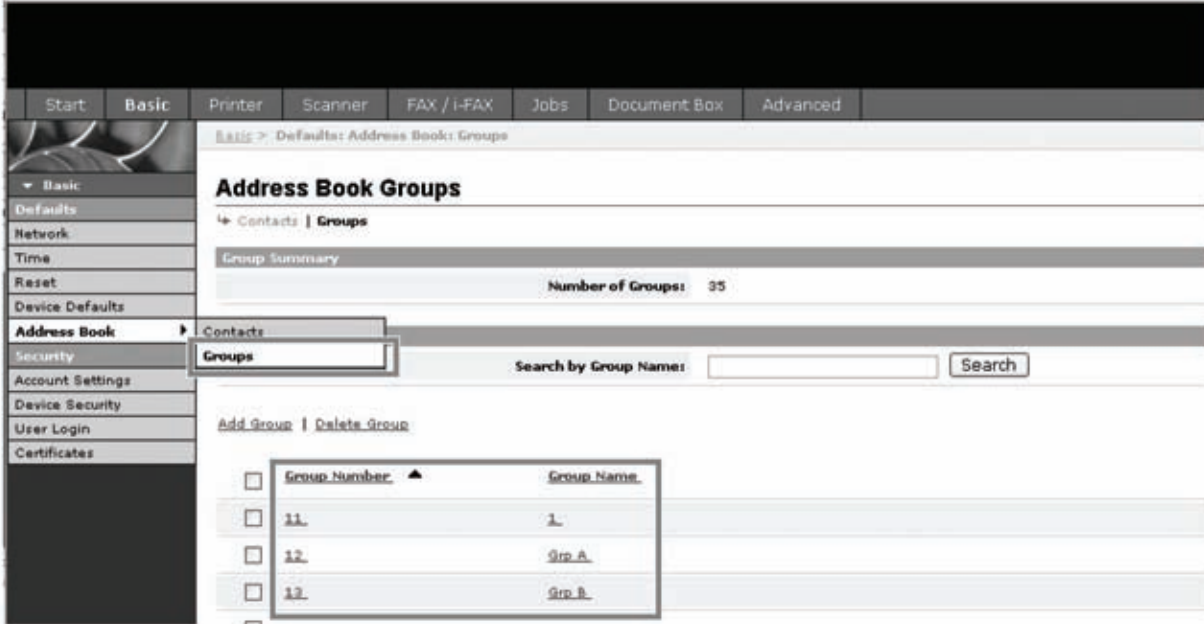
Item	Description
Number	Enter the group number. You can enter any number between 1 and 2500. If you enter a number that is already being used and click Submit, an error message appears.
Group Name	Enter the group name. The maximum length of the group name is 32 characters.

- 3 Click Submit.

Editing Groups

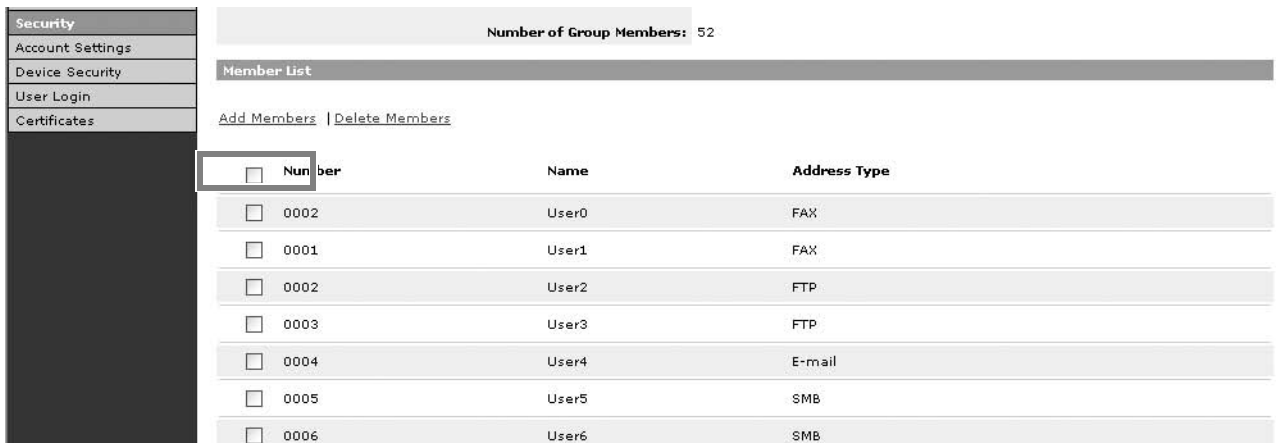
The procedure for editing groups in the Address Book is explained below.

- 1 Click Basic -> Address Book Groups -> Number or Name of the group to be edited.



- 2 Click Add Members.

To delete a group member, tick the checkbox for the member to be deleted and then click Delete Members.



- 3 Tick the checkbox for the member to be added to the group and then click Submit.

The contact is added as a group member.

For each group, you can register up to a combined total of 10 SMB and FTP addresses and up to 100 E-mail addresses.

2

Group Names: GroupAA

Member List

Search by Name:

Results 21 - 30 of about 58

Number	Name	Address Type
<input type="checkbox"/>		
<input type="checkbox"/>	2	User1 FAX
<input type="checkbox"/>	3	User2 FAX
<input type="checkbox"/>	3	User2 FTP
<input type="checkbox"/>	4	User3 FTP
<input type="checkbox"/>	5	User4 E-mail
<input type="checkbox"/>	6	User5 SMB
<input type="checkbox"/>	7	User6 SMB
<input type="checkbox"/>	8	User7 FAX
<input type="checkbox"/>	9	User8 E-mail
<input type="checkbox"/>	10	User9 FTP

Previous 1 2 3 4 5 6 Next

[Back to the previous page.](#)

Registering an External Address Book

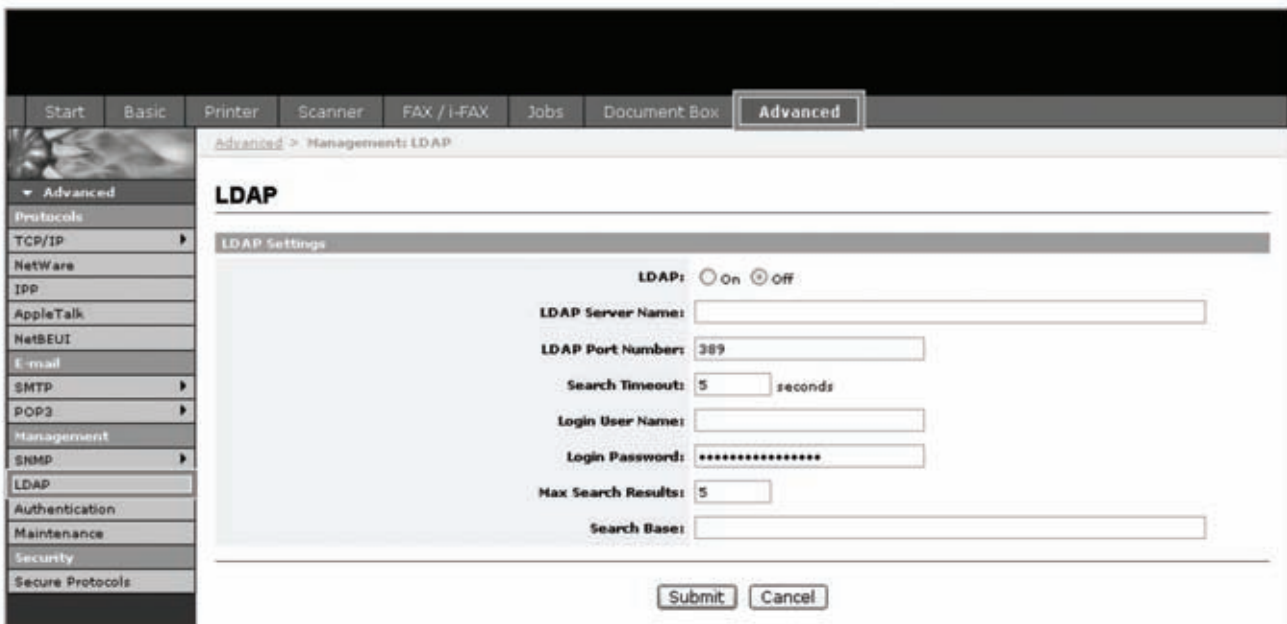
This machine can refer to an address book on the LDAP server as an external address book and store the fax number and E-mail address of the destination.

Enable LDAP parameters in EWS (Embedded Web Server).

The procedure for using an external address book is explained below.

- 1 Register an address book on the LDAP server. Refer to *the Windows Help menu* for details.

2 In EWS (Embedded Web Server), click Advanced -> Management > LDAP.



3 Enter the correct settings in each field.

The settings to be specified in the LDAP settings screen are shown below.

Item	Description
LDAP	Enables or disables access to the LDAP server.
LDAP Server Name	Enter the LDAP server IP address or name. The maximum length of the LDAP server name is 62 characters.
LDAP Port Number	Enter the port number used by the LDAP server. Normally, 389 is used.
Search Timeout	Enter the duration of LDAP server searches. You can enter any number between 5 and 60.
Login User Name	Enter the user name used for LDAP logon. The maximum length of the login user name is 62 characters.
Login Password	Enter the password used for LDAP logon. The maximum length of the login password is 62 characters.
Max Search Results	Enter the maximum number of results displayed when the LDAP address book is searched. You can enter any number between 4 and 30.
Search Base	Specify the starting point for LDAP directory searches.

4 Click Submit.

User Login Administration

User login administration specifies how user access is administered on this machine. Enter a correct login user name and password for user authentication to log in.

Access privileges are in two types - User and Administrator. Certain items in System Menu can be modified only by administrators.

Enabling/Disabling User Login Administration

Here, you can enable user login administration. Select one of the following authentication methods:

Item	Description
Local Authentication	User authentication based on user properties on the local user list stored in the machine
Network Authentication	User authentication based on Authentication Server. Use user properties stored in Authentication Server to access the network authentication login page.

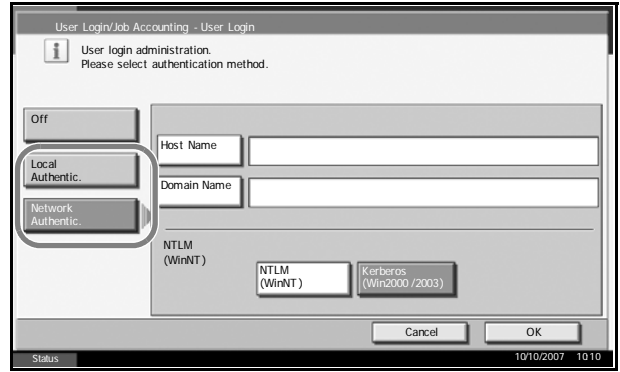
- 1 Press the **System Menu** key.
- 2 Press [User Login/Job Accounting].

If user login administration is invalid, the user authentication screen is displayed. Enter a login user name and password, and press [Login]. By default, the login user name and password are 3060 respectively.

NOTE: The login user name and password are for default users with administrator rights.

- 3 Press [Next] of *User Login Setting* and then [Change] of *User Login*.

- 4 Select [Local Authentic.] or [Network Authentic.] to enable user login administration. Selecting [Off] disables user login administration.



If you select [Network Authentic.], enter the host name (62 characters or less) and domain name (254 characters or less) for the Authentication Server. Select [NTLM (WinNT)] or [Kerberos (Win2000/2003)] as the authentication method.

NOTE: If the login user name and password are rejected, check the following settings.

- Network Authentication setting of the machine
- User properties of the Authentication Server
- Clock time setting of the machine and the Authentication Server

If you cannot login because of the setting of the machine, login as any administrator registered in the local user list and correct the settings.

If the server type is [Kerberos (Win2000/2003)], only domain names entered in uppercase will be recognized.

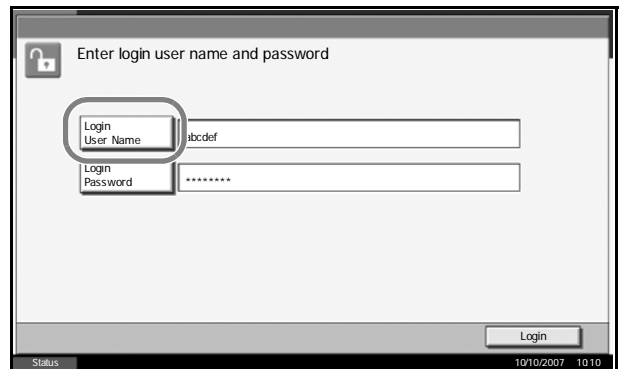
- 5 Press [OK].

Login/Logout

If user login administration is enabled, it is necessary to enter the login user name and password to use the machine.

Login

- 1 If the screen shown appears during operations, press [Login User Name].



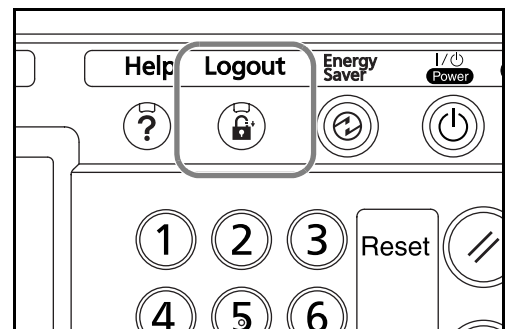
- 2 Enter the login user name and press [OK].

NOTE: For details on character entry, refer to *Character Entry Method* on page 2 of the Appendix.

- 3 Press [Login Password].
- 4 Enter the password and press [OK].
- 5 Check the login user name and password are correct, and press [Login].

Logout

To logout from the machine, press the **Logout** key to return to the login user name/password entry screen.



Installing Software

Install appropriate software on your PC from the included Product Library CD-ROM (Product Library) if you want to use the printer function of this machine or perform TWAIN / WIA transmission or FAX transmission from your PC.

NOTE: Installation on Windows XP, Windows NT 4.0/2000, Server 2003 and Windows Vista must be done by a user logged on with administrator privileges.

Plug and Play is disabled on this device when in Sleep Mode. Wake the device from Low Power Mode or Sleep Mode before continuing. See *Low Power Mode and Auto Low Power Mode on page 3-4* and *Sleep and Auto Sleep on page 3-5*.

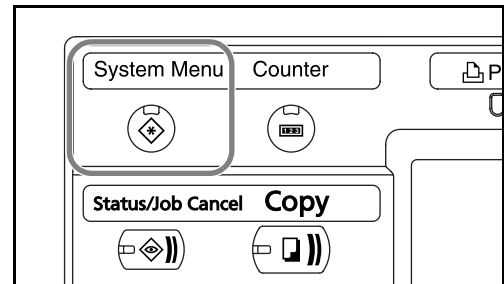
Selecting the Default Screen (Optional)

Select the default screen (on the touch panel) to appear following the opening screen after power-on. The default screen is selectable from among the following.

2

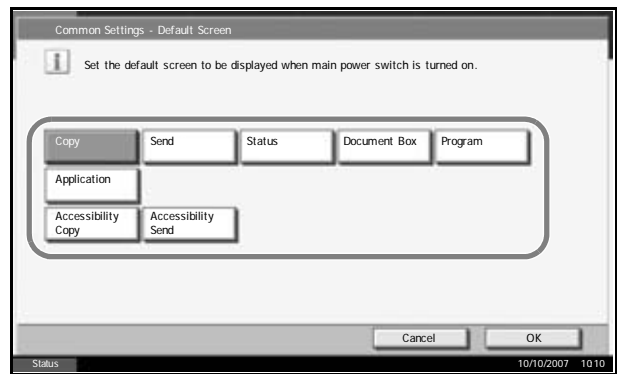
Default screen	Screen appearing immediately after power-on.
Copy	Default screen for copying (screen to appear when the Copy key is pressed)
Send	Default screen for sending (screen to appear when the Send key is pressed)
Status	Default screen for status/job cancel (screen to appear when the Status/Job Cancel key is pressed)
Document Box	Default screen for Document Box (screen to appear when the Document Box key is pressed)
Program	Default screen for program (screen to appear when the Program key is pressed)
Application	Default screen for application (screen to appear when the Application key is pressed)
Accessibility Copy	Default screen for Accessibility Copy (screen to appear when the Accessibility Display key is pressed in the Copy screen)
Accessibility Send	Default screen for Accessibility Send (screen to appear when the Accessibility Display key is pressed in the Send screen)

- 1** Press the **System Menu** key.



- 2** Press [Common Settings] and then [Change] of *Default Screen*.

- 3 Select the desired default screen.

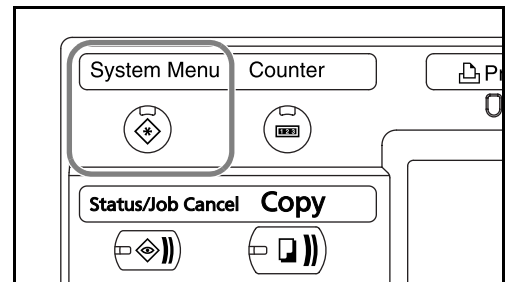


- 4 Press [OK].
- 5 When exiting, press [Close] repeatedly to return to the *System Menu* screen.

Changing Language (Optional)

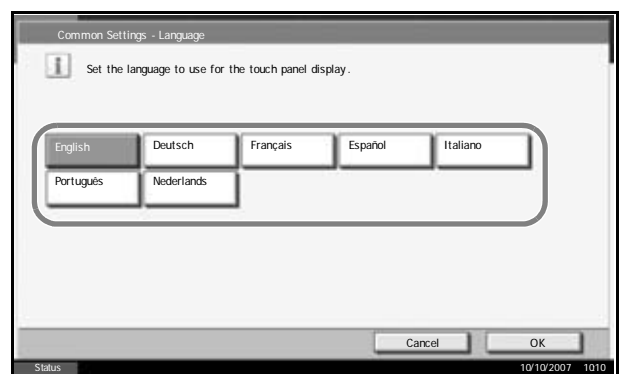
Follow the steps below to change the language to appear on the touch panel.

- 1 Press the **System Menu** key.



- 2 Press [Common Settings] and then [Change] of *Language*.

- 3 Press the key for the language you wish to use.



- 4 Press [OK].
- 5 A message instructing you to turn the power off and on appears. Press [OK].
- 6 Press the **Power** key on the operation panel. Check that the **Power** key and the memory indicator are off. After this, turn on the main power switch again.

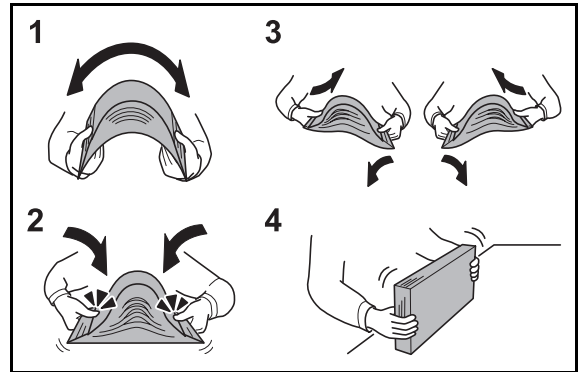
The touch panel language will be changed.

Loading Paper

Paper can be loaded standardly in the two cassettes and the Multi Purpose Tray. A paper feeder is also available as an option (refer to *Chapter 4 Optional Equipment*).

Before Loading Paper

When you open a new package of paper, fan the sheets to separate them slightly prior to loading in the following steps.



- 1** Bend the whole set of sheets to swell them in the middle.
- 2** Hold the stack at both ends and stretch it while keeping the entire stack swelled.
- 3** Raise the right and left hands alternately to create a gap and feed air between the papers.
- 4** Finally, align the papers on a level, flat table.

If the paper is curled or folded, straighten it before loading. Paper that is curled or folded may cause a jam.

CAUTION: If you copy onto used paper (paper already used for copying), do not use paper that is stapled or clipped together. This may damage the machine or cause poor image quality.

NOTE: If printouts are curled or not neatly stapled, turn the stack in the cassette upside down.

Avoid exposing opened paper to high temperatures and high humidity as dampness can be a cause of problems. Seal any remaining paper after loading in the Multi Purpose Tray or cassettes back in the paper storage bag.

If the machine will not be used for a prolonged period, protect all paper from humidity by removing it from the cassettes and sealing it in the paper storage bag.

NOTE: If you use special paper such as letterhead, paper with holes or paper with pre-prints like logo or company name, refer to *the Advanced Operation Guide*.

Loading Paper in the Cassettes

Up to 500 sheets of standard paper (80 g/m²) or colored paper may be loaded in each of the two standard cassettes.

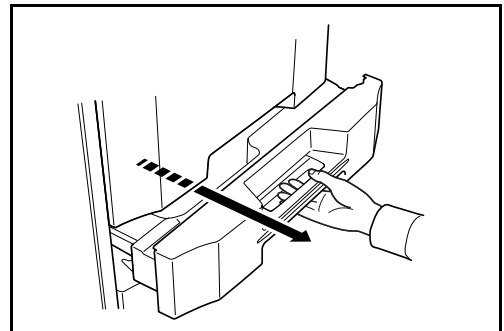
The following paper sizes are supported: Ledger, Legal, Oficio II, 8.5×13.5", Letter, Letter-R, Statement-R, A3, B4, A4, A4-R, B5, B5-R, A5-R, Folio, 8K, 16K, and 16K-R.

IMPORTANT:

- When using media types other than plain paper (such as recycled or colored paper), always specify the media type setting. (Refer to *Specifying Paper Size and Media Type for the Cassettes on page 2-41*)
 - The cassettes can hold 60 to 120 g/m² paper. When using 120 g/m² paper, specify Thick for *Specifying Paper Size and Media Type for the Cassettes on page 2-41*. If the media type setting is wrong, paper jams and deterioration of copy quality may occur.
 - If the optional fax kit is installed, the available media types for printing received faxes are as shown below.
Plain, Rough, Recycled, Bond, Color, High Quality, Custom 1-8
-

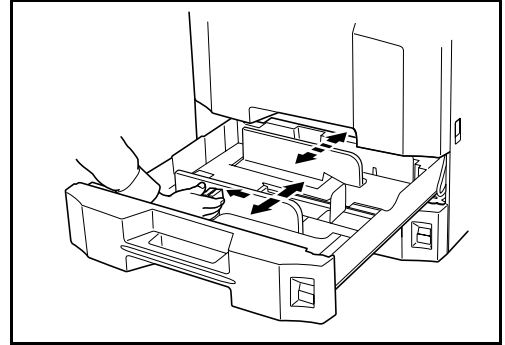
- 1** Pull the cassette out toward you until it stops.

NOTE: Do not pull out more than one cassette at a time.

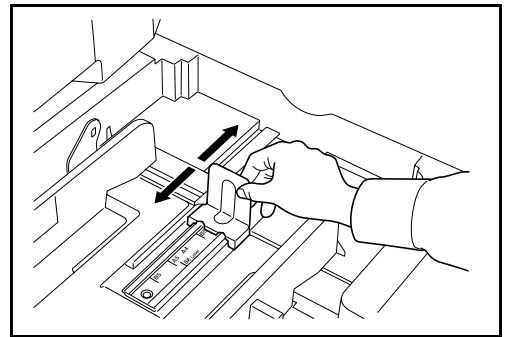


- 2 Holding the paper width adjusting tab, move the paper width guides to fit the paper.

NOTE: Paper sizes are marked on the cassette.

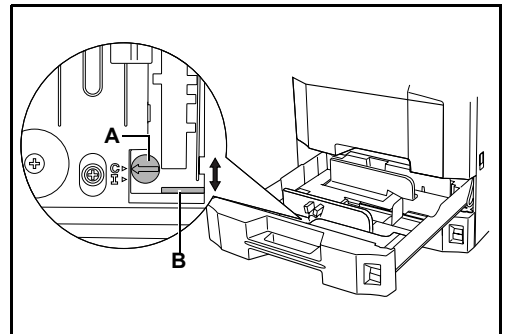


- 3 Using the paper length guide, move the plate to fit the paper.

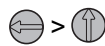


NOTE: Paper sizes are indicated on the cassettes. To change between inch size and metric size (A, B sizes), follow the steps below to adjust the size switch.

1. Holding the paper width adjusting tab, move the paper width guide to a position other than that of the paper.



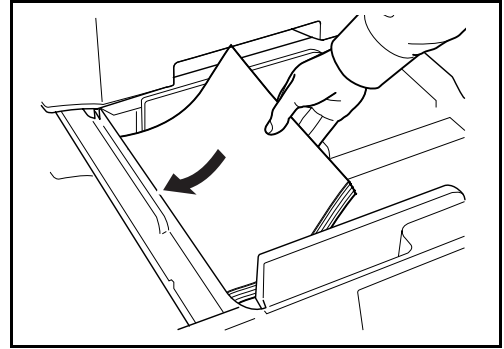
2. Turn the size switch A 90°.



3. Move the size lever B up (C) or down (I).
C: metric size (centimeters) (A, B sizes)
I: inch size

4. Turn the size switch 90° to lock it. 

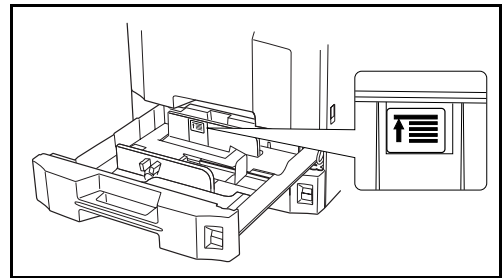
- 4** Align the paper flush against the left side of the cassette.



2

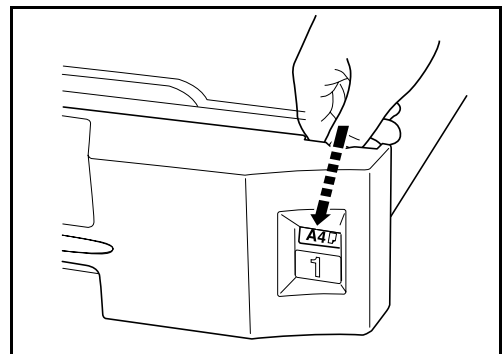
IMPORTANT:

- Before loading the paper, be sure that it is not curled or folded. Paper that is curled or folded may cause paper jams.
- Ensure that the loaded paper does not exceed the level indicator (see illustration below).



- When loading the paper, keep the side that was closest the package seal facing up.
- The paper length and width guides must be adjusted to the paper size. Loading the paper without adjusting these guides may cause skewed feeding and paper jams.
- Be sure that the paper length and width guides rest securely against the paper. If there is a gap, readjust the guides to fit the paper.

- 5** Insert the appropriate paper size card in the slot to indicate the size of the paper inside.



- 6** Gently push the cassette back in.

NOTE: If the machine will not be used for a prolonged period, protect all paper from humidity by removing it from the cassettes and sealing it in the original package.

- 7 Select the media type (plain, recycled, etc.) loaded in the cassette. (Refer to *Specifying Paper Size and Media Type for the Cassettes on page 2-41.*)

Loading Paper in the Multi Purpose Tray

Up to 200 sheets of plain paper (80 g/m²) may be loaded in the Multi Purpose Tray.

The Multi Purpose Tray accepts paper sizes from A3 to A6-R and Hagaki and from Ledger to Statement-R, 8K, 16K and 16K-R. Be sure to use the Multi Purpose Tray when you print on any special paper.

IMPORTANT:

- When using media types other than plain paper (such as recycled or colored paper), always specify the media type setting. (Refer to *Specifying Paper Size and Media Type for the Cassettes on page 2-41*)
- If the optional fax kit is installed and you are using the Multi Purpose Tray to print received faxes, the available media types are as shown below.
Plain, Rough, Recycled, Bond, Color, High Quality, Custom 1 ~ 8

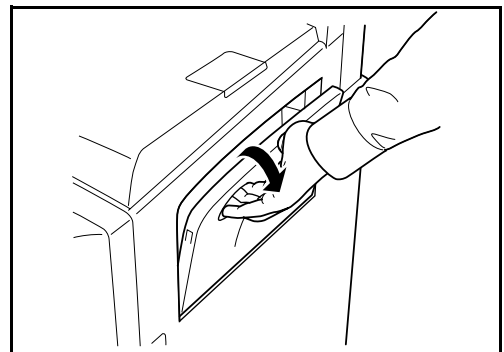
The capacity of the Multi Purpose Tray is as follows.

- Thick paper (120 g/m²): 130 sheets
- Thick paper (160 g/m²), Japanese noshi paper: 100 sheets
- Thick paper (200 g/m²): 50 sheets
- Hagaki: 80 sheets
- OHP film: 25 sheets
- Envelope DL, Envelope C5, Envelope #10 (Commercial #10), Monarch, Youkei 4, Youkei 2: 20 sheets

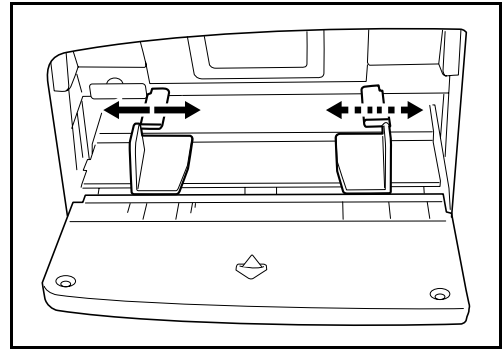
NOTE: When you load custom size paper, enter the paper size by referring to *Specifying Paper Size and Media Type for the Multi Purpose Tray on page 2-44.*

When you use special paper such as transparencies or thick paper, select the media type by referring to *Specifying Paper Size and Media Type for the Multi Purpose Tray on page 2-44.*

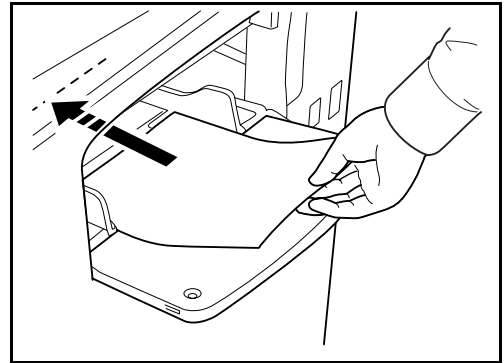
- 1 Open the Multi Purpose Tray.



- 2** Adjust the paper width guides to the width of the paper.



- 3** Insert the paper along the paper width guides into the tray until it stops.



IMPORTANT: Keep the side that was closest the package seal facing up. Curled paper must be uncurled before use. Straighten the top edge if it is curled.

Loading Envelopes

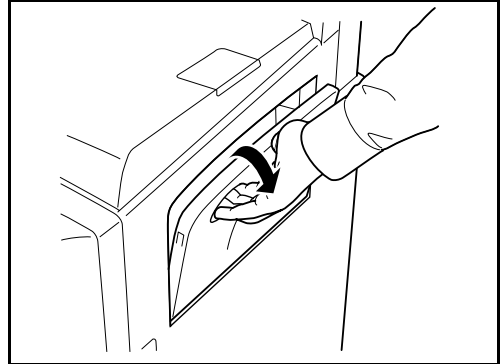
Up to 20 envelopes may be loaded in the Multi Purpose Tray.

Acceptable envelope sizes are as follows.

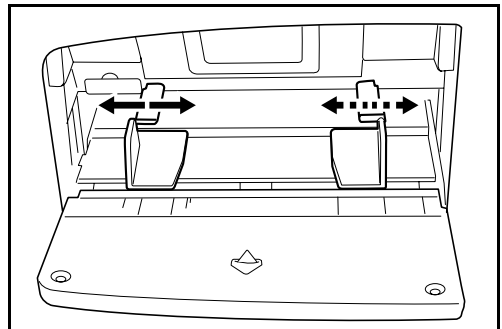
Acceptable Envelope	Size
Monarch	3 7/8"×7 1/2"
Envelope #10 (Commercial #10)	4 1/8"×9 1/2"
Envelope DL	110×220 (mm)
Envelope C5	162×229 (mm)
Executive	7 1/4"×10 1/2"
Envelope #9 (Commercial #9)	3 7/8"×8 7/8"
Envelope #6 (Commercial #6 3/4)	3 5/8"×6 1/2"
ISO B5	176×250 (mm)
Envelope C4	229×324 (mm)

Acceptable Envelope	Size
Oufuku Hagaki	200×148 (mm)
Youkei 2	162×114 (mm)
Youkei 4	234×105 (mm)

1 Open the Multi Purpose Tray.

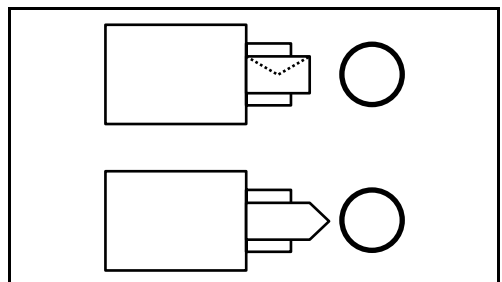


2 Adjust the paper width guides to the width of the envelope.



3 For landscape form envelopes, close the flap. Insert the envelope all the way along the width guides, keeping the printing side face-up and with the flap closed.

For portrait form envelopes, open the flap. Insert the envelope all the way along the width guides, keeping the printing side face-up and with the flap positioned opposite to the entrance.



IMPORTANT: How to load envelopes (orientation and facing) will differ depending on the type of envelope. Be sure to load it in correctly, otherwise printing may be done in the wrong direction or on the wrong face.

NOTE: When you load envelopes in the Multi Purpose Tray, select the envelope type by referring to *Specifying Paper Size and Media Type for the Multi Purpose Tray* on page 2-44.

Specifying Paper Size and Media

The default paper size setting for cassettes 1 and 2, for Multi Purpose tray and for the optional paper feeder (cassettes 3 and 4) is [Auto Detection], and the default media type setting is [Plain].

To fix the type of paper to be used in cassettes, specify the paper size and media type setting. (Refer to *Specifying Paper Size and Media Type for the Cassettes* on page 2-41.)

To fix the type of paper to be used in Multi Purpose tray, specify the paper size setting. (Refer to *Specifying Paper Size and Media Type for the Multi Purpose Tray* on page 2-44.)

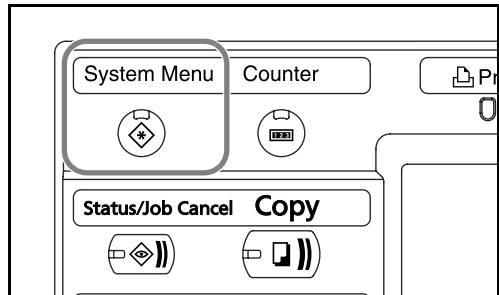
Specifying Paper Size and Media Type for the Cassettes

To fix the type of paper to be used in cassettes 1 or 2 or the optional paper feeder (cassettes 3 and 4), specify the paper size. Also, you use a media type other than plain paper, specify the media type setting.

Selection Item		Selectable Size/Type
Paper Size	Auto	Paper size is automatically detected and selected. Select whether the paper is in <i>Metric</i> size or in <i>Inch</i> size.
	Standard Sizes 1	Select from the standard sizes. Selectable paper sizes are as follows. Inch size: Ledger, Letter-R, Letter, Legal, Statement-R, 8.5×13.5" and Oficio II Metric size: A3, B4, A4, A4-R, B5, B5-R, A5-R, and Folio
	Standard Sizes 2	Select from the standard sizes not included in Standard Sizes 1. Selectable paper sizes are as follows. Inch size: A3, B4, A4, A4-R, B5, B5-R, A5-R, and Folio, 8K, 16K-R and 16K Metric size: Ledger, Letter-R, Letter, Legal, Statement-R, 8.5×13.5" and Oficio II, 8K, 16K-R and 16K

Selection Item	Selectable Size/Type
Media Type	Plain, Rough, Vellum, Recycled, Preprinted, Bond, Color, Prepunched, Letterhead, High Quality and Custom 1~8

1 Press the **System Menu** key.



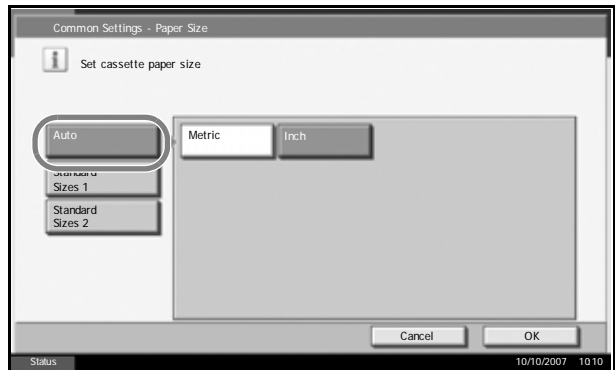
2 Press [Common Settings], [Next] of *Original / Paper Setup*, [Next] of *Cassette Setting*.

3 *Cassette Setting*, select one of [Cassette 1] to [Cassette 4] and press [Next].

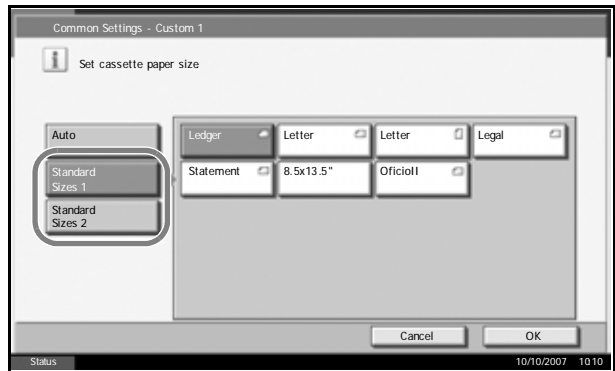
Then press Paper Size -> [Change].

NOTE: [Cassette 3] and [Cassette 4] are shown when the optional paper feeder is installed.

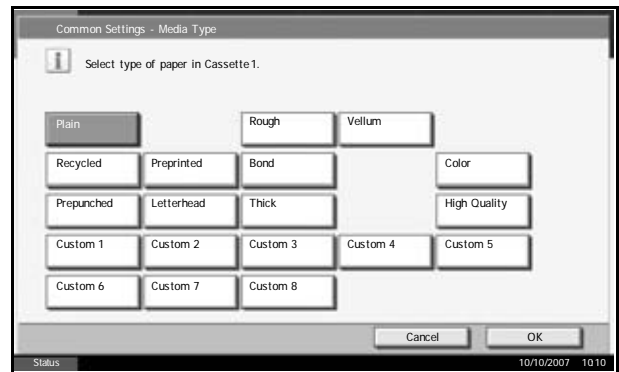
4 For automatic detection of the paper size, press [Auto] and select [Metric] or [Inch] as the unit.



To select the paper size, press [Standard Sizes 1] or [Standard Sizes 2] and select the paper size.



- 5 Press [OK]. The previous screen reappears.
- 6 Press [Change] of *Media Type* and select the media type. Then press [OK].

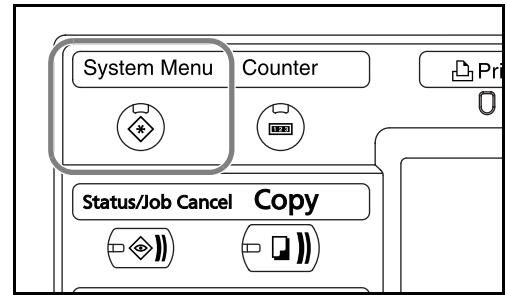


Specifying Paper Size and Media Type for the Multi Purpose Tray

To fix the type of paper to be used in the Multi Purpose tray, specify the paper size. When using other than a plain paper, specify the media type.

Item		Description
Paper Size	Auto	Paper size is automatically detected and selected. Select whether the paper is in <i>Metric</i> size or in <i>Inch</i> size.
	Standard Sizes 1	Select from the standard sizes. Selectable paper sizes are as follows. Inch size: Ledger, Letter-R, Letter, Legal, Statement-R, Executive, 8.5×13.5", and Oficio II Metric size: A3, A4-R, A4, A5-R, A6-R B4-R, B5-R, B5, B6-R and Folio
	Standard Sizes 2	Select from the standard sizes not included in Standard Sizes 1. Selectable paper sizes are as follows. Inch size: A3, A4-R, A4, A5-R, A6-R B4-R, B5-R, B5, B6-R and Folio, 8K, 16K-R and 16K Metric size: Ledger, Letter-R, Letter, Legal, Statement-R, Executive, 8.5×13.5", and Oficio II, 8K, 16K-R and 16K
	Others	Select from special standard sizes and custom sizes. Selectable paper sizes are as follows. ISO B5, Envelope #10 (Commercial #10), Envelope #9 (Commercial #9), Envelope #6 (Commercial #6 3/4), Envelope Monarch, Envelope DL, Envelope C5, Envelope C4, Hagaki, Oufuku Hagaki, Youkei 4, Youkei 2
	Size Entry	Enter the size not included in the standard size. Selectable paper sizes are as follows. Inch size X (Horizontal): 5.83~17" (in 0.01" increments), Y (Vertical): 3.86~11.69" (in 0.01" increments) Metric size X (Horizontal): 148~432 mm (in 1mm increments), Y (Vertical): 98~297 mm (in 1mm increments)
Media Type		Selectable media types are as follows. Plain, Rough, Transparency, Vellum, Labels, Letterhead, Recycled, Preprinted, Bond, Cardstock, Color, Prepunched, Envelope, Thick, High Quality and Custom 1~8

- 1** Press the **System Menu** key.

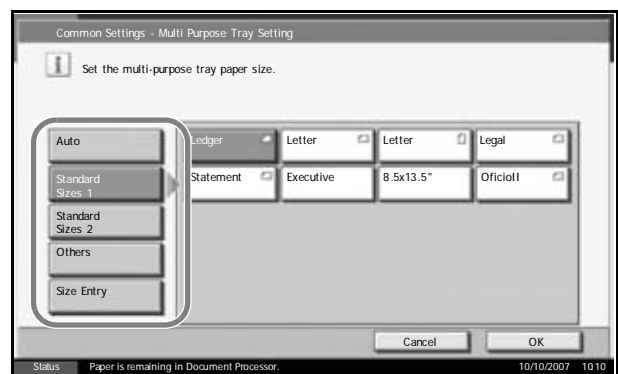


2

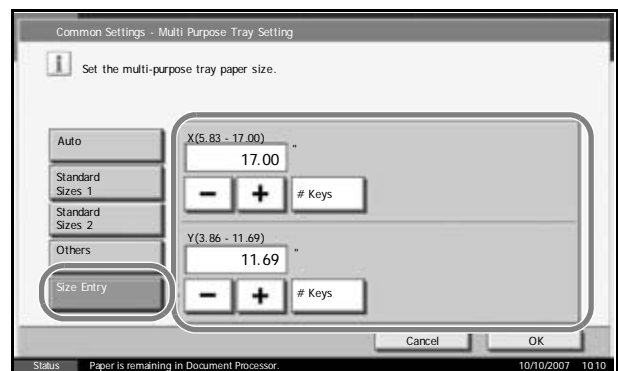
- 2** Press [Common Settings], [Next] of *Original / Paper Setup*, [Next] of *Multi Purpose Tray Setting*, and then [Change] of *Paper Size*.

- 3** For automatic detection of the paper size, press [Auto] and select [Metric] or [Inch] as the unit.

To select the paper size, press any of [Standard Sizes 1], [Standard Sizes 2], [Others] or [Size Entry] and select the paper size.

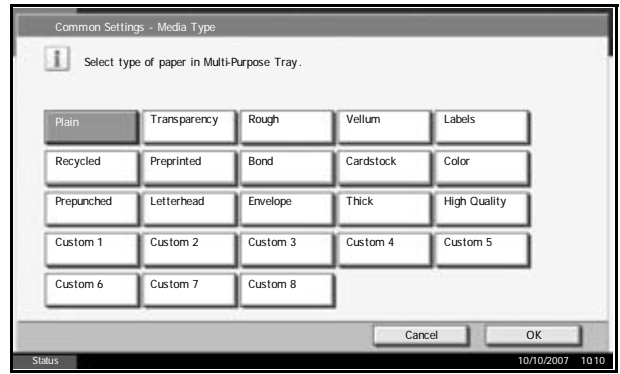


If you have chosen [Size Entry], press [+] or [-] to enter X (horizontal) and Y (vertical) sizes. You may enter the size directly using the numeric keys by pressing [# Keys].



- 4** Press [OK]. The previous screen reappears.

- 5 Press [Change] of *Media Type* and select the media type. Then press [OK].



Loading Originals

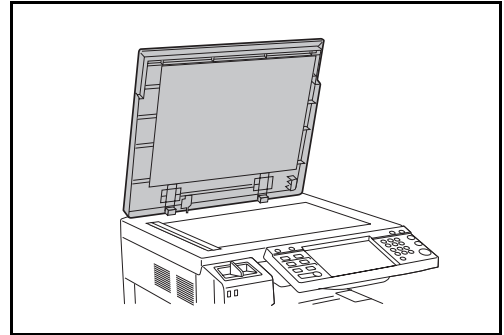
Follow the steps below to load originals for copying, sending or storing.

Placing Originals on the Platen

2

You may place books or magazines on the platen in addition to ordinary sheet originals.

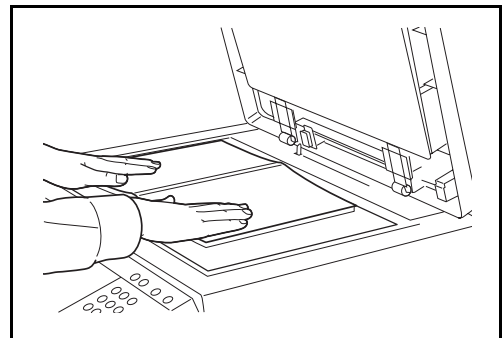
- 1 Open the original cover.



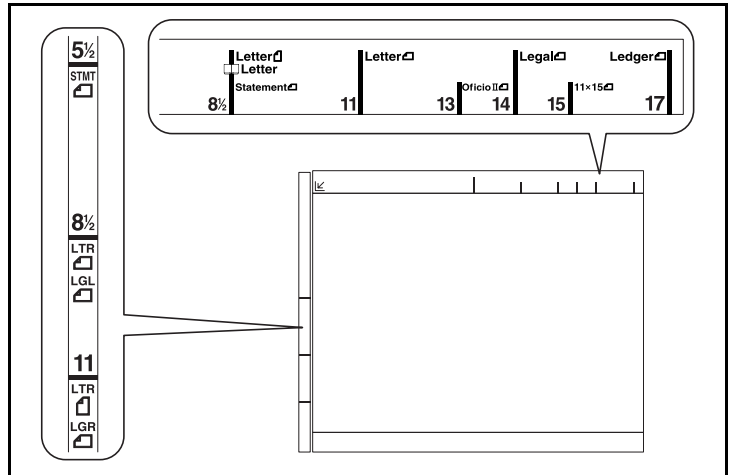
NOTE: If the optional document processor is installed, open the document processor. Before opening the document processor, be sure that there are no originals left on the original table or on the original eject table. Originals left on the original table or on the original eject table may fall off when the document processor is opened.

Keep the document processor open if the original is 40 mm or thicker.

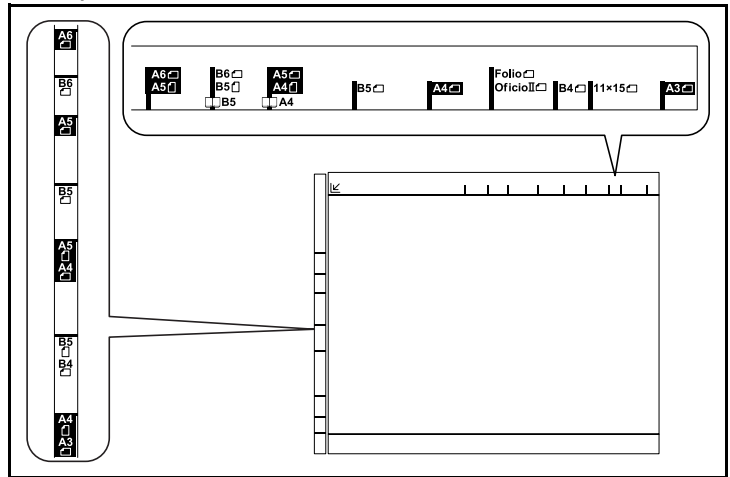
- 2 Place the original. Put the scanning side facedown and align it flush against the original size indicator plates with the back left corner as the reference point.



◆ Original size indicator plates
(Inch models)



(Metric models)



3 Close the original cover.

IMPORTANT: Do not push the original cover forcefully when you close it. Excessive pressure may crack the platen glass.

NOTE: Shadows may be produced around the edges and in the middle of open-faced originals.

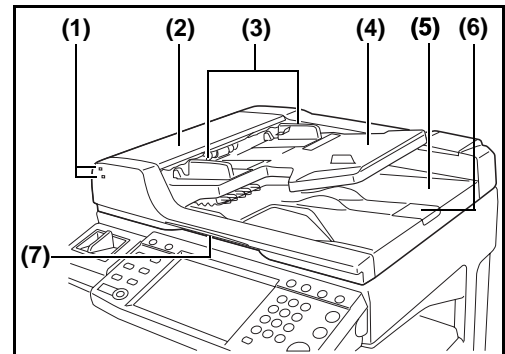


CAUTION: Do not leave the document processor open as there is a danger of personal injury.

Loading Originals in the Document Processor

The optional document processor automatically scans each sheet of multiple originals. Both sides of two-sided originals are scanned.

Part Names of the Document Processor



- (1) Original placement indicator
- (2) Top cover
- (3) Original width guides
- (4) Original table
- (5) Original eject table
- (6) Original stopper
- (7) Opening handle

Originals Supported by the Document Processor

The document processor supports the following types of originals.

Weight	45 g/m ² to 160 g/m ²
Size	Maximum A3 to Minimum A5-R Maximum Ledger to Minimum Statement-R
Capacity	Plain paper (80 g/m ²), Colored paper, Recycled paper: 75 sheets (Mixed sized originals: 30 sheets) Thick paper (120 g/m ²): 49 sheets Thick paper (160 g/m ²): 37 sheets Art paper, Coated paper: 1 sheet High quality paper (110 g/m ²): 54 sheets

Originals Not Supported by the Document Processor

Do not use the document processor for the following types of originals.

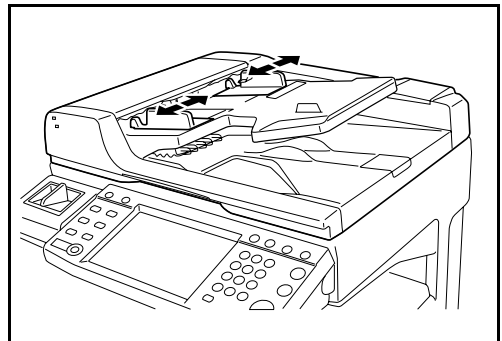
- Soft originals such as vinyl sheets
- Transparencies such as OHP film
- Carbon paper
- Originals with very slippery surfaces
- Originals with adhesive tape or glue

- Originals with correction fluid which is not dried
- Irregularly shaped (non-rectangular) originals
- Originals with cut-out sections
- Crumpled paper
- Originals with folds (Straighten the folds before loading. Failure to do so may cause the originals to jam).
- Originals bound with clips or staples (Remove the clips or staples and straighten curls, wrinkles or creases before loading. Failure to do so may cause the originals to jam).

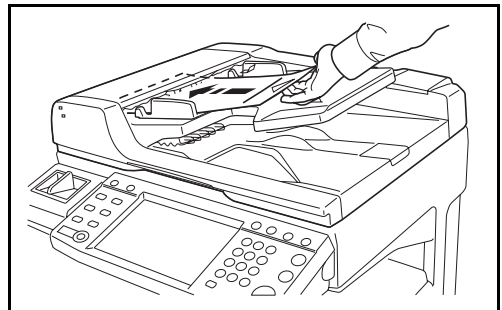
How to Load Originals

IMPORTANT: Before loading originals, be sure that there are no originals left on the original eject table. Originals left on the original eject table may cause the new originals to jam.

- 1** Adjust the original width guides to fit the originals.



- 2** Place the originals. Put the side to be scanned (or the first side of two-sided originals) face-up. Slide the leading edge into the document processor as far as it will go. The original placement indicator will be lit.

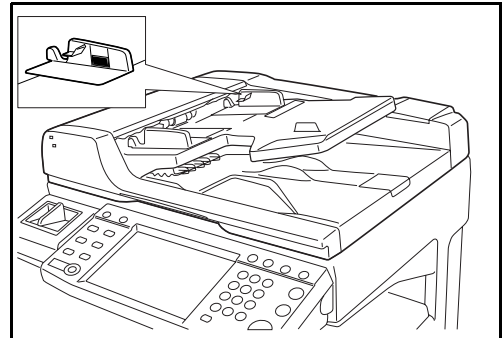


IMPORTANT: Confirm that the original width guides exactly fit the originals. If there is a gap, readjust the original width guides. The gap may cause the originals to jam.

Ensure that loaded originals do not exceed the level indicator. Exceeding the maximum level may cause the originals to jam (see the figure below).

Originals with punched holes or perforated lines should be placed in such a way that the holes or perforations will be scanned last (not first).

2

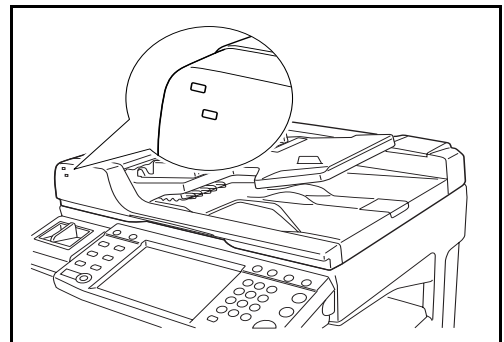


Original placement indicator

The original placement indicator is lit or unlit depending on how originals are placed.

Indications and their status are as follows.

- Green (upper indicator) lit : Original is placed properly.
- Green (upper indicator) blinking : Original is not placed properly. Remove and place again.
- Red (lower indicator) blinking : Original is jammed. Remove the jammed original and place it properly.



3 Basic Operation

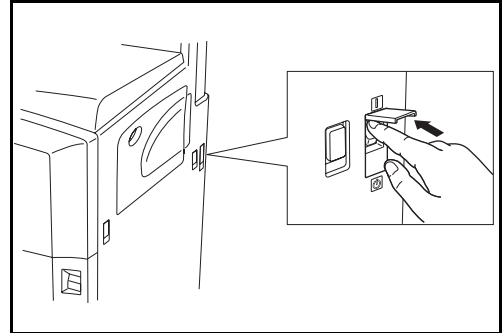
This chapter explains the following operations.

- Power On/Off..... 3-2
- Low Power Mode and Auto Low Power Mode 3-4
- Sleep and Auto Sleep..... 3-5
- Adjusting the Operation Panel Angle 3-6
- Touch Panel Display..... 3-7
- Copying 3-8
- Printing - Printing from Applications 3-24
- Sending 3-26
- Specifying Destination 3-42
- Using Document Box..... 3-45
- Printing Documents Stored in Removable USB Memory 3-56
- Canceling/Viewing/Changing Jobs..... 3-58
- Checking Remaining Toner and Paper..... 3-63
- Quick Setup Screen 3-64

Power On/Off

Power On

Open the main power switch cover and turn the main power switch on.



Blinking/Lighting of each Key/Indicator

When turning on the main power switch, Key/Indicators such as **Copy** or **Send** blink.

Blinking: This function is in preparation. When each key is ready, the indicator lights out one by one.

Unlit: This function is ready.

Lit: This function is selected. *Copy* is selected as the default so that the **Copy** key/indicator lights on first.

NOTE: A key whose indicator is unlit can be used even if any other key remains blinking.

If the optional Security Kit is installed, a message might display indicating the security function is being activated and time may be taken to start up when the power is turned on.

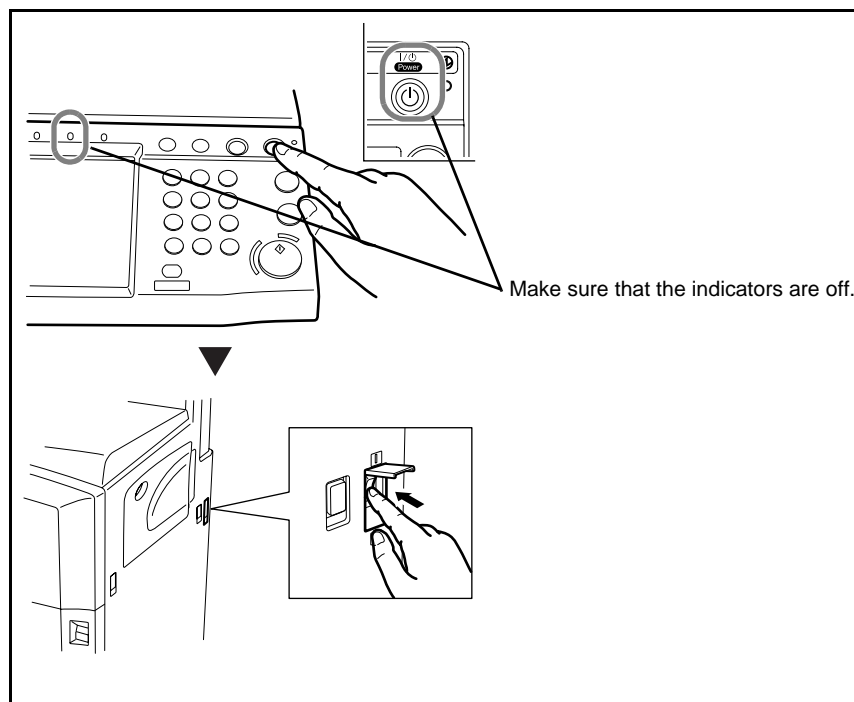
IMPORTANT: When turning off the main power switch, do not turn on the main power switch again immediately. Wait more than 5 seconds, and then turn on the main power switch.

Power Off

Before turning off the main power switch, press the **Power** key on the operation panel to off. Make sure that the **Power** key and the memory indicator are off before turning off the main power switch.



CAUTION: The hard disk may be operating when the **Power** key or Memory indicator is lit or blinking. Turning off the main power switch while the hard disk is operating may cause damage.



IMPORTANT: Do not turn the main power switch off when the optional fax kit is installed. If you turn the main power switch off, you cannot receive fax messages.

In case of not using the machine for an extended period of time

CAUTION: If the machine will not be used for an extended period of time (vacations, etc.), remove the power plug from the outlet for safety purposes and remove paper from the cassettes and seal it in the paper storage bag to protect it from humidity.

Low Power Mode and Auto Low Power Mode

Low Power Mode

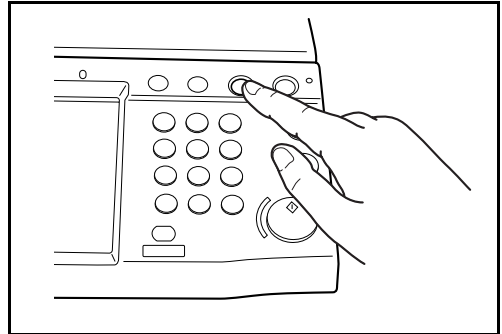
To activate Low Power Mode, press the **Energy Saver** key. Touch panel and all indicators on the operation panel will go out to save power except the **Energy Saver**, **Power**, and main power indicators. This status is referred to as Low Power Mode.

If print data is received during Low Power Mode, the machine automatically wakes up and starts printing.

Also when fax data arrives while the machine is in Low Power Mode when using the optional fax, the machine automatically wakes up and starts printing.

To resume, perform one of the following actions. The machine will be ready to operate within 10 seconds.

- Press any key on the operation panel.
- Open the original cover or the optional document processor.
- Place originals in the optional document processor.



Auto Low Power Mode

Auto Low Power Mode automatically switches the machine into Low Power Mode if left idle for a preset time. The default preset time is 9 minute.

Sleep and Auto Sleep

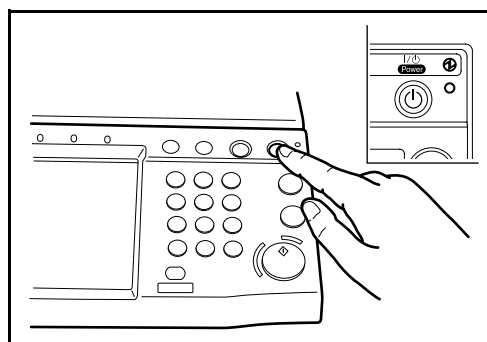
Sleep

To enter Sleep, press the **Power** key. Touch panel and all indicators on the operation panel will go out to save a maximum amount of power except the Main Power indicator. This status is referred to as Sleep.

If print data is received during Sleep, the print job is performed while the touch panel remains unlit.

When using the optional fax, received fax data is printed out while the operation panel also remains unlit.

To resume, press the **Power** key. The machine will be ready to operate within 15 seconds.

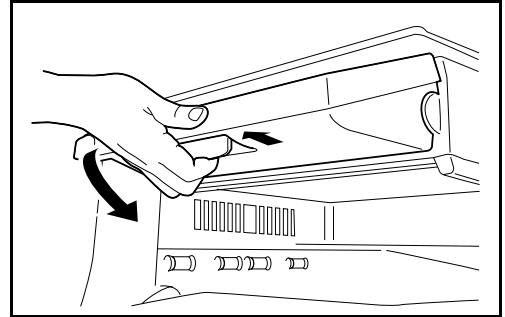


Auto Sleep

Auto Sleep automatically switches the machine into Sleep if left idle for a preset time in the Low Power Mode. The default preset time is 29 minutes.

Adjusting the Operation Panel Angle

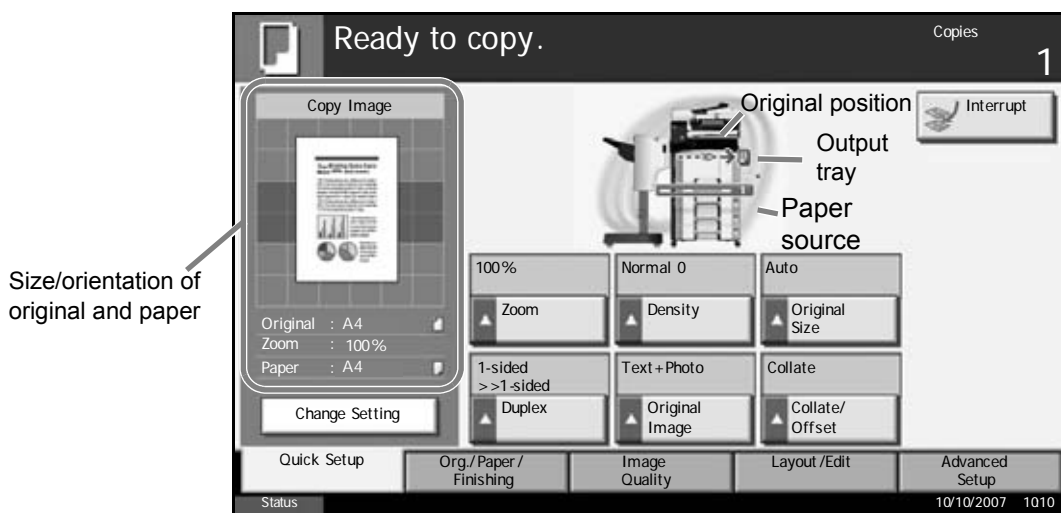
Adjust the angle of the operation panel in two as shown by releasing the operation panel lock lever.



Touch Panel Display

Display for Originals and Paper

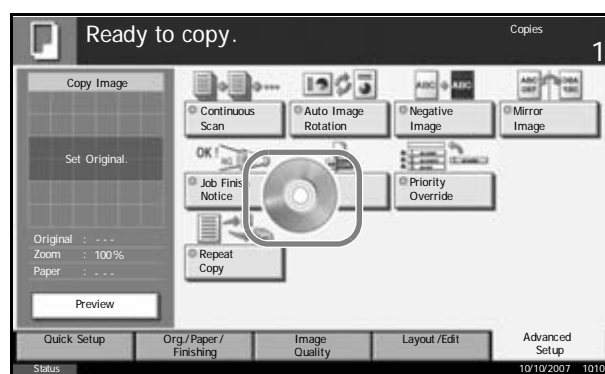
The touch panel displays the selected paper source and output tray.



Display when the Screen Changes

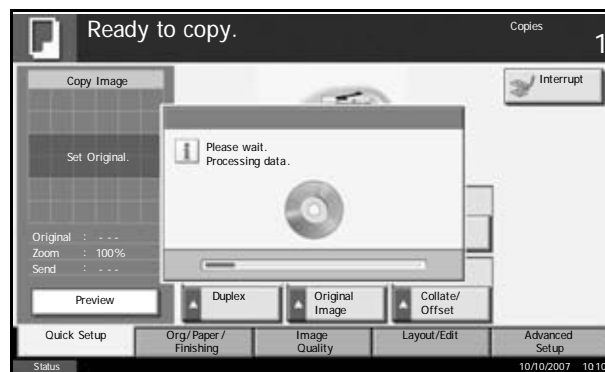
The stand-by display (icon) may appear when the touch panel screen changes.

Normal stand-by display



Stand-by Display When System Menu Operation Is Completed

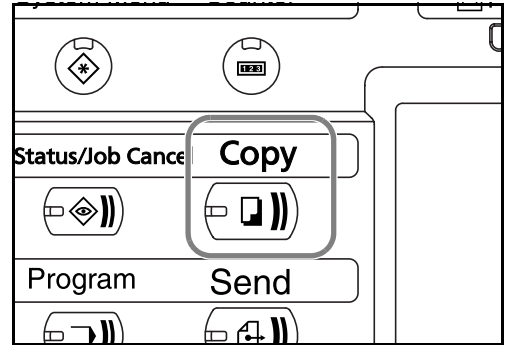
When the system menu operation is completed and another function (such as copying) is used, the display shown appears.



Copying

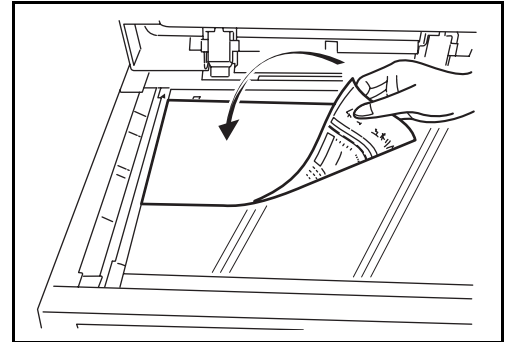
Follow the steps as below for basic copying.

- 1 Press the **Copy** key when the **Copy** key/indicator is off.



NOTE: If you place the original and press the **Start** key before the copier has warmed up, only the scanning is performed in advance and the copying job starts upon completion of the warm-up.

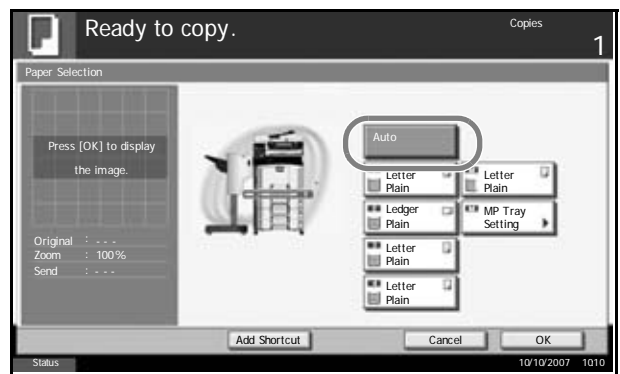
- 2 Place the originals on the platen or in the optional document processor.



NOTE: For loading instructions, refer to *Loading Originals on page 2-47*.

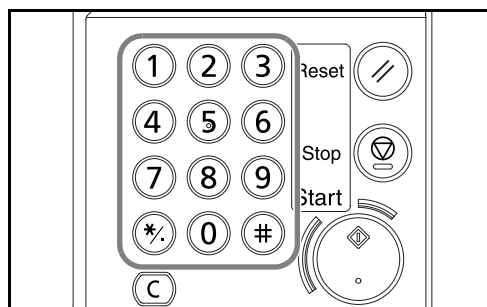
- 3 Check that [Auto] is selected of *Paper Selection* on the touch panel. Paper that matches the size of the original will be selected automatically.

To change the paper size, press, [Org./ Paper/Finishing], [Paper Selection] and select the desired paper source.

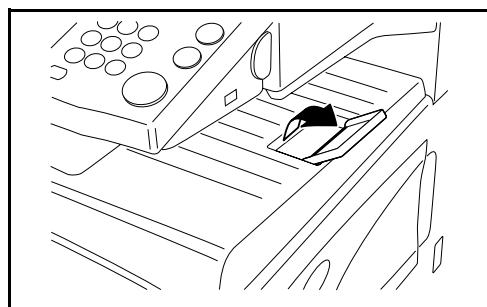


NOTE: Select paper size manually, if necessary, instead of using automatic paper selection.

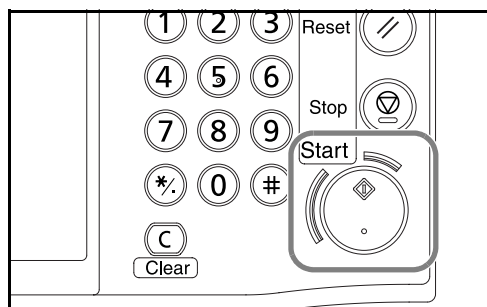
- 4** Use the numeric keys to enter the copy quantity. Specify the desired number up to 999.



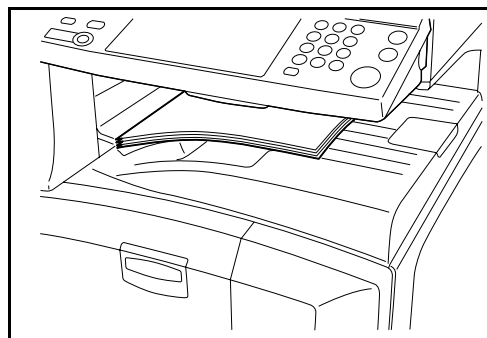
NOTE: When copying onto 11 x 17", 5 1/2 x 8 1/2", A3 or B4 paper, open the output stopper.



- 5** Press the **Start** key to start copying.



- 6** Remove the finished copies from the top tray.



Original Preview

You can display a preview image of the scanned document on the panel.

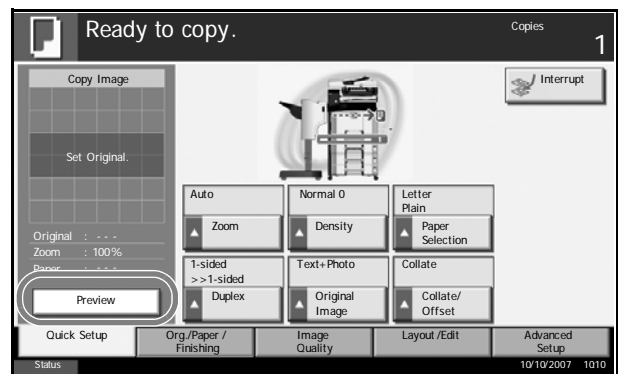
NOTE: To view a preview of an image stored in a Custom Box, refer to *the Advanced Operation Guide*.

The procedure for previewing scanned originals is explained below.

The procedure described here is for copying a single-page original.

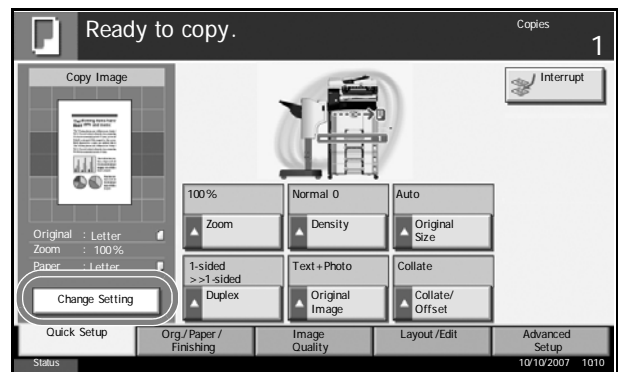
1 Place the original on the platen and press the **Copy** key.

2 Press [Preview].



3 The machine starts scanning the original. When scanning is completed, the preview image appears on the panel.

4 To change the quality or the layout, press [Change Setting]. Change the settings and press [Preview] again to see a preview image with the new settings.



NOTE: If you scan a multi-page original, only the first page is previewed. If you are compiling multiple pages, first press [Preview], scan all the originals, and then press [Scan finish], and a preview of the first page is displayed.

To change the mode when a preview image is displayed, press **Reset** key and then change the mode.

For booklet copying, the finished page including the lead page of the original is displayed.

Preview is not available if a high compression PDF is selected.

Adjusting Density

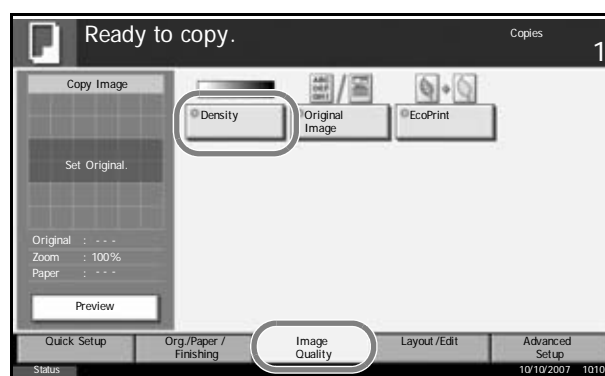
Use this procedure to adjust the density when copying.

Density Adjustment Option	Description
Manual	Adjust density using 7 or 13 levels.
Auto	Optimum density is selected according to the density of the original.

3

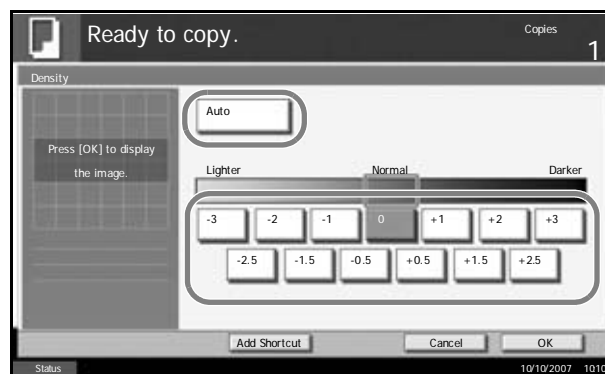
The procedure for adjusting the density of copies is explained below.

- 1 Set the original on the platen and press [Image Quality] -> [Density].



- 2 Adjust density manually pressing [-3] (Lighter) to [+3] (Darker). You can change the density level [-3] (Lighter) to [+3] (Darker) in half-steps.

To change density adjustment from Manual to Auto, press [Auto].



- 3 Press [OK].
- 4 Press the **Start** key. Copying begins.

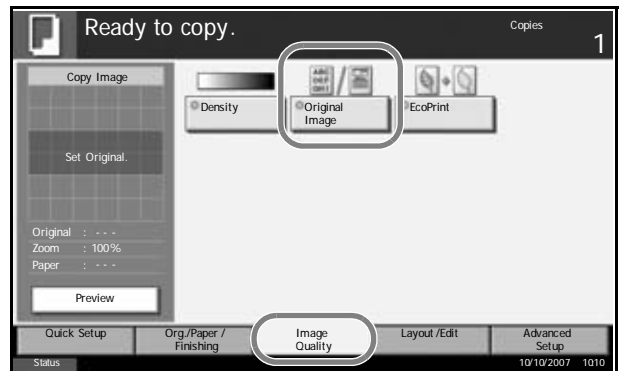
Selecting Image Quality

Select image quality suited to the type of original.

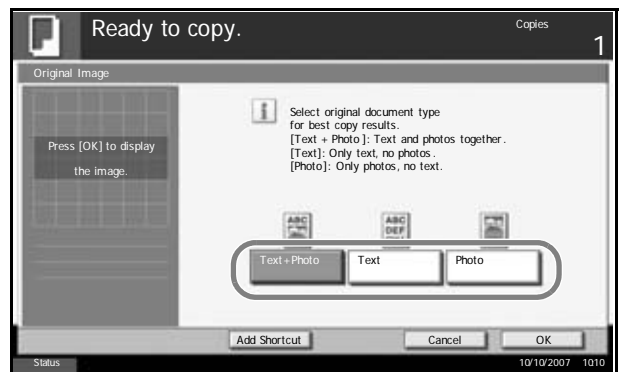
Image Quality Option	Description
Text+Photo	For originals with both text and photographs.
Text	For originals primarily consisting of text.
Photo	For originals primarily consisting of photographs.

The procedure for selecting the quality of copies is explained below.

- 1 Set the original on the platen and press [Image Quality] -> [Original Image].



- 2 Select the image quality.



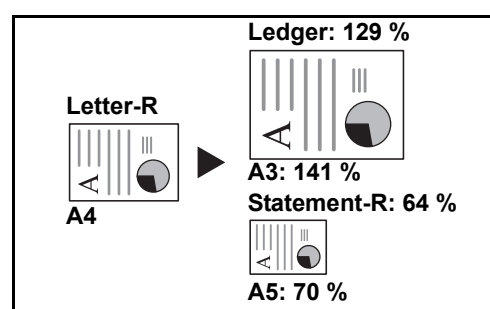
- 3 Press [OK].
- 4 Press the **Start** key. Copying begins.

Zoom Copying

Adjust the magnification to reduce or enlarge the original image. The following zoom options are available.

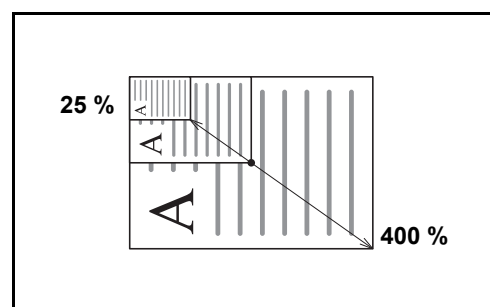
Auto Zoom

Automatically reduces or enlarges the original image suitably to the selected paper size.



Manual Zoom

Manually reduces or enlarges the original image in 1% increments between 25% and 400%.



Preset Zoom

Reduces or enlarges at preset magnifications.

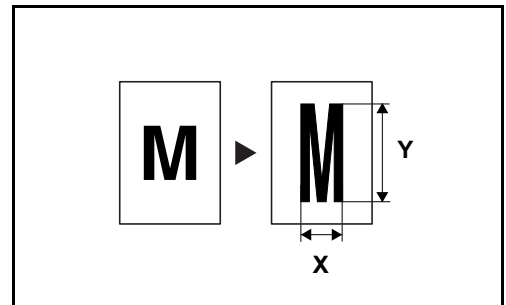
The following magnifications are available.

Model	Zoom Level (OriginalCopy)
Inch Models	100%, Auto, 400% (Max.), 200% (STMT -> Ledger), 154%(STMT -> Legal), 129% (Letter -> Ledger), 121% (Legal -> Ledger), 78% (Legal -> Letter), 77% (Ledger -> Legal), 64% (Ledger -> Letter), 50% (Ledger -> STMT), 25% (Min.)

Model	Zoom Level (OriginalCopy)
Metric Models	100%, Auto, 400% (Max.), 200% (A5 -> A3), 141% (A4 -> A3, A5 -> A4), 127% (Folio -> A3), 106% (11x15" -> A3), 90% (Folio -> A4), 75% (11x15" -> A4), 70% (A3 -> A4, A4 -> A5), 50%, 25% (Min.)
Metric Models (Asia Pacific)	100%, Auto, 400% (Max.), 200% (A5 -> A3), 141% (A4 -> A3, B5 -> B4), 122% (A4 -> B4, A5 -> B5), 115% (B4 -> A3, B5 -> A4), 86% (A3 -> B4, A4 -> B5), 81%(B4 -> A4, B5 -> A5), 70% (A3 -> A4, B4 -> B5), 50%, 25% (Min.)

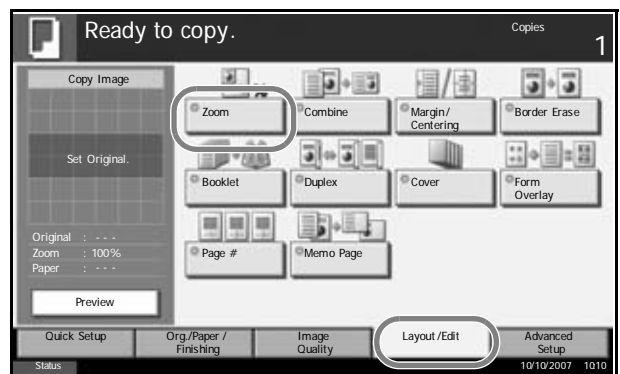
XY Zoom

Select vertical and horizontal magnifications individually. Reduce or enlarge original images in 1% increments between 25% and 400%.



The procedure for using zoom copying is explained below.

- 1 Set the original on the platen and press [Layout/Edit] -> [Zoom].



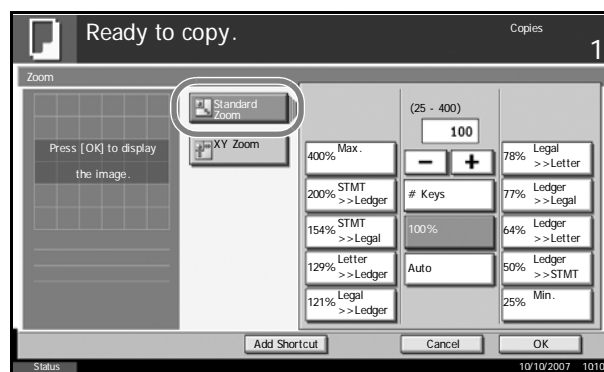
2 Press [Standard Zoom] to use Auto Zoom.

Press [+] or [-] to change the displayed magnification as desired. You can also enter the magnification directly using the numeric keys by pressing [# Keys].

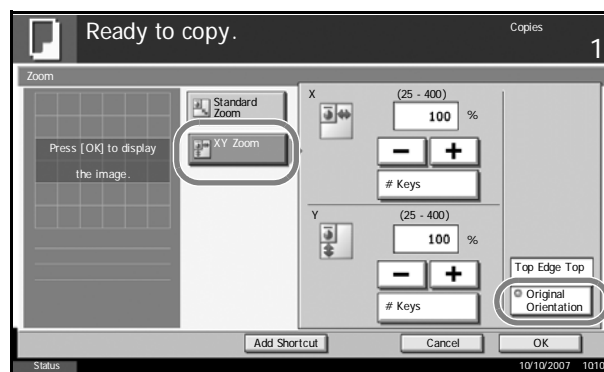
When using Preset Zoom, select the key of desired magnification.

When using XY Zoom, press [XY Zoom].

Press [+] or [-] to change the displayed magnifications of X (horizontal) and Y (vertical). You can also enter the magnification directly using the numeric keys by pressing [# Keys].



Press [Original Orientation] to select orientation of the originals, either [Top Edge Top] or [Top Edge Left]. Then press [OK].



3 Press [OK].

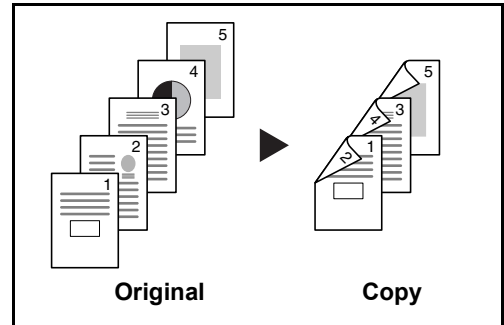
4 Press the **Start** key. Copying begins.

Duplex Copying

Produce two-sided copies. The following duplex options are available.

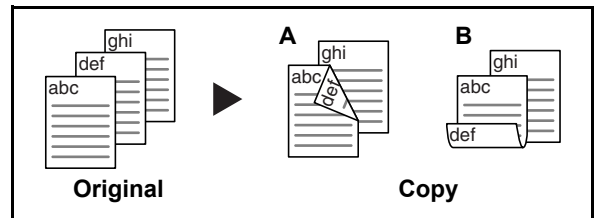
One-sided to Two-sided

Produces two-sided copies from one-sided originals. In case of an odd number of originals, the back side of the last copy will be blank.



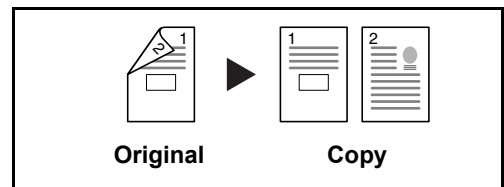
The following binding options are available.

- A Original Left/Right to *Binding Left/Right*: Images on the second sides are not rotated.
- B Original Left/Right to *Binding Top*: Images on the second sides are rotated 180°. Copies can be bound on the top edge, facing the same orientation when turning the pages.



Two-sided to One-sided

Copies each side of a two-sided original onto two individual sheets. The optional document processor is required.

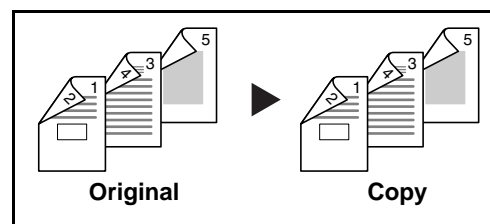


The following binding options are available.

- *Binding Left/Right*: Images on the second sides are not rotated.
- *Binding Top*: Images on the second sides are rotated 180°.

Two-sided to Two-sided

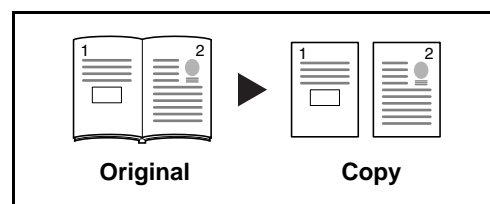
Produces two-sided copies from two-sided originals. The optional document processor is required.



NOTE: The paper sizes supported in Two-sided to Two-sided are Ledger, Legal, Letter, Letter-R, Executive, Statement-R, Oficio II, 8.5×13.5", A3, B4, A4, A4-R, B5, B5-R, A5-R and Folio.

Book to One-sided

Produces a 1-sided copy of a 2-sided or open book original.



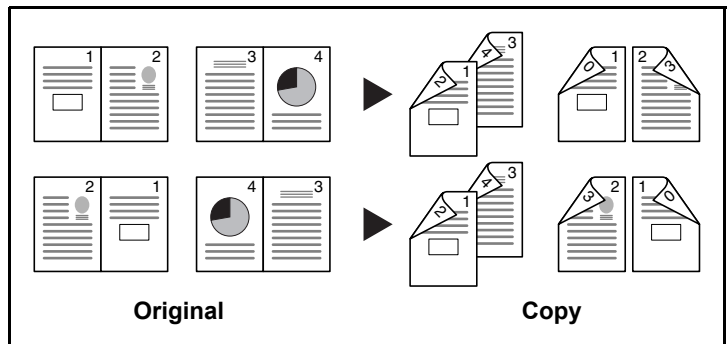
The following binding options are available.

- *Binding Left:* Originals with facing pages are copied from left to right.
- *Binding Right:* Originals with facing pages are copied from right to left.

NOTE: The following sizes of originals and paper are supported in Two-sided to One-sided and Book to One-sided. Original: Ledger, Letter-R, A3, B4, A4-R, B5-R, A5-R and 8K. Paper: Letter, A4, B5 and 16K. You may change paper size and reduce or enlarge copy to match that size.

Book to Two-sided

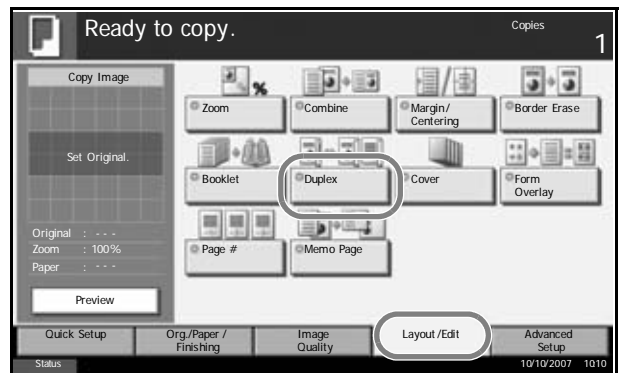
Produces two-sided copies from an open book original with facing pages.



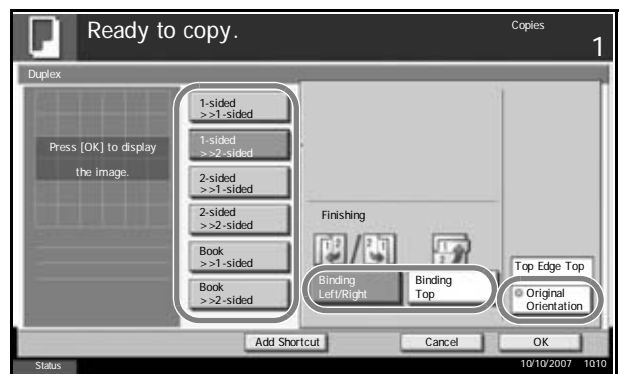
NOTE: The sizes of originals and paper supported in Book to Two-sided are Letter, A4, B5, and 16K.

The procedure for using two-sided/duplex copying is explained below.

- 1 Press [Layout/Edit] and then [Duplex].



- 2 Select the desired Duplex option.



- 3 If you choose [2-sided>>2-sided], [2-sided>>1-sided], [Book>>1-sided] or [Book>>2-sided], select the binding edge of the originals of *Original*.
- 4 If you choose [1-sided>>2-sided], [2-sided>>2-sided] or [Book>>2-sided], select the binding edge of the finished copies of *Finishing*.
- 5 Press [Original Orientation] to select orientation of the originals, either [Top Edge Top] or [Top Edge Left]. Then press [OK].

- 6 Press [OK].
- 7 Place the original and press the **Start** key.

Once an original placed on the platen is scanned, replace it with the next one. Then, press the **Start** key.

After scanning all originals, press [Scan finish] to start copying.

3

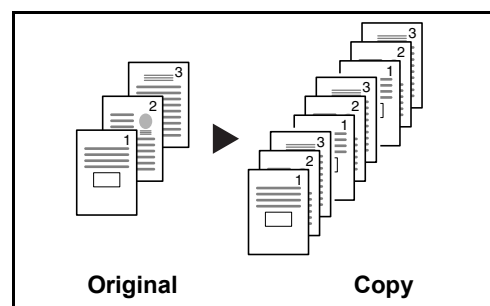
Collate/Offset Copying

The machine can collate and offset at the same time as it copies.

You can use the Collate/Offset copy function for tasks such as those shown below.

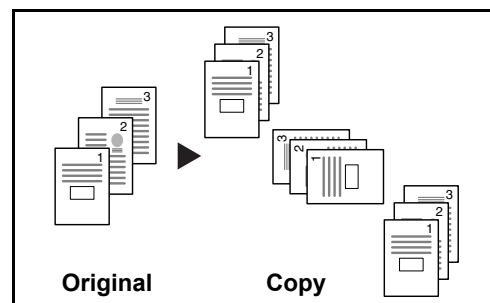
Collate

Scan multiple originals and deliver complete sets of copies as required according to page number.



Offset

Use offset to produce copies after rotating each set (or page) by 90°.

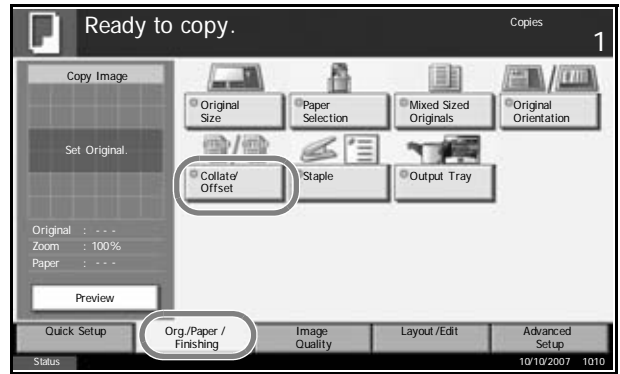


NOTE: To use the offset function, load the same sized paper with different orientation in the paper source other than the selected paper source.

The paper sizes supported in Offset are A4, B5, Letter and 16K.

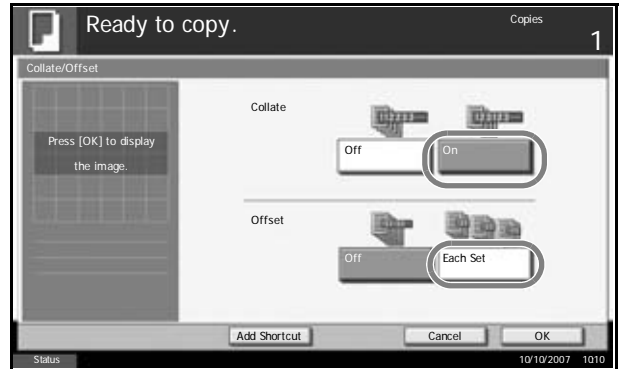
The procedure for using collate/offset copying is explained below.

- 1 Press [Org./Paper/ Finishing] and then [Collate/Offset].

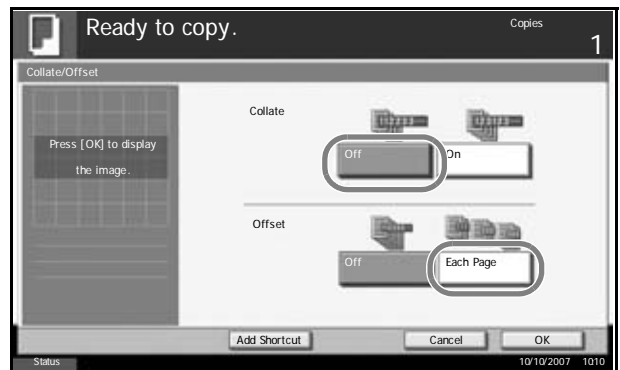


- 2 To use collate copying, press [On] of *Collate*.

To use offset copying, press [Each Set] of *Offset*.
Press [OK].



- 3 If [Off] is selected for *Collate*, press [Off] or [Each Page] in *Offset*.



- 4 Press [OK].
- 5 Use the numeric keys to enter the copy quantity.
- 6 Place the originals and press the **Start** key. Copying begins.

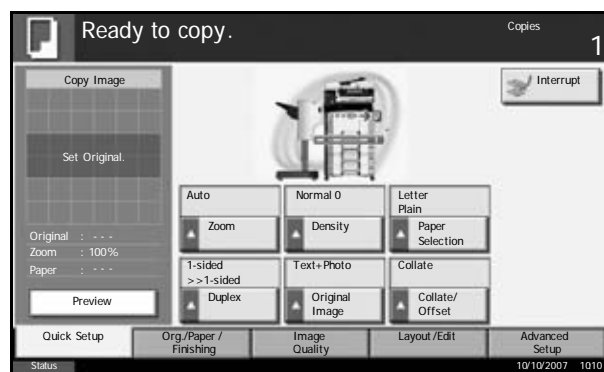
Reserve Copy

This function allows you to reserve the next copy job during printing. Using this function, the original will be scanned while the machine is printing. When the current print job ends, the reserved copy job is printed. The procedure differs depending on the *Reserve Next Priority Settings*.

If Reserve Next Priority Setting is set to On

The Copy function default screen appears on the touch panel during printing.

- 1 Place the originals onto the machine for reserving copy, and configure the copy settings.



- 2 Press the **Start** key.

The machine starts scanning the originals. When the current print job ends, the reserved copy job is printed.

If Reserve Next Priority Setting is set to Off

The Copying screen appears on the touch panel during printing.

- 1 Press [Reserve Next].
The default screen for copying appears.



- 2 Place the originals onto the machine for reserving copy, and configure the copy settings.
- 3 Press the **Start** key.

The machine starts scanning the originals. When the current print job ends, the reserved copy job is printed.

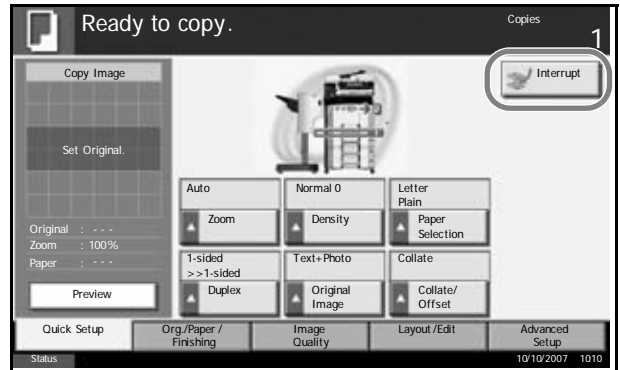
Interrupt Copy

This function allows you to pause the current jobs in progress when you need to make copies immediately. When interruption copy ends, the machine resumes the paused print jobs. The procedure differs depending on the *Reserve Next Priority Settings*.

If Reserve Next Priority Setting is set to On

The Copy function default screen appears on the touch panel during printing.

- 1 Press [Interrupt].
Ready to interrupt copy. is displayed.
The current print job is temporarily interrupted.



- 2 Place the originals onto the machine for interrupt copy, and configure the copy settings.
- 3 Press the **Start** key to start interrupt copying.
- 4 When interrupt copying ends, press [Interrupt]. The machine resumes the paused print jobs.

NOTE: If the machine is left for 60 seconds, interrupt copying is automatically cancelled and printing resumes. If you press [Interrupt] while specifying copy settings, the settings are automatically reset and returns to the default setting.

If Reserve Next Priority Setting is set to Off

The Copying screen appears on the touch panel during printing.

- 1** Press [Interrupt].
The current print job is temporarily interrupted.



- 2** Place the originals onto the machine for interrupt copy, and configure the copy settings.
- 3** Press the **Start** key to start interrupt copying.
- 4** When interrupt copying ends, press [Interrupt].
The machine resumes the paused print jobs.

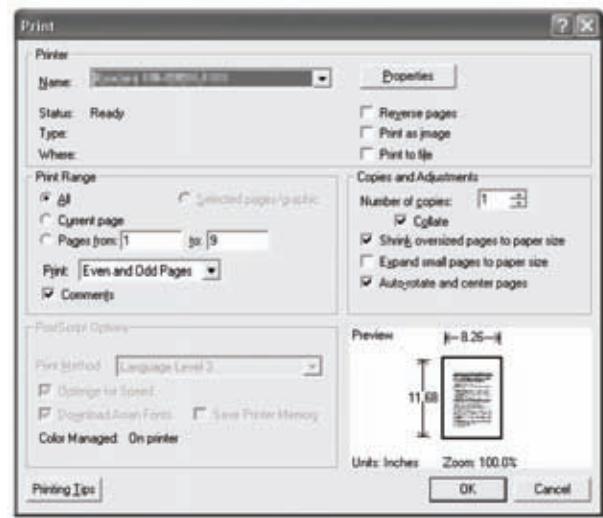
NOTE: If the machine is left for 60 seconds, interrupt copying is automatically cancelled and printing resumes.

Printing - Printing from Applications

Follow the steps below to print documents from applications.

NOTE: To print the document from applications, install the printer driver on your computer from the supplied CD-ROM (Product Library).

- 1 Create a document using an application.
- 2 Click **File** and select **Print** in the application. The **Print** dialog box appears.
- 3 Click the ▼ button next to the Name field and select this machine from the list.



- 4 Enter the desired print quantity in the **Number of copies** box. Enter any number up to 999.
When there is more than one document, select **Collate** to print out one by one in the sequence of the page numbers.
- 5 Click **Properties** button. The **Properties** dialog box appears.
- 6 Select the **Basic** tab and click **Page Size** button to select the paper size.

To print on the special paper such as thick paper or transparency, click the **Media Type** menu and select the media type.



3

- 7** Click **Source** and select the paper source.

NOTE: If you choose **Auto Select**, papers are supplied automatically from the paper source loaded with paper of optimum size and type. To print on special paper such as envelope or thick paper, place it on the Multi Purpose Tray and select **MP Tray**.

- 8** Select paper orientation, either **Portrait** or **Landscape**, to match the orientation of the document.

Selecting **Rotate 180°** will print the document rotated 180°.

- 9** Click **OK** button to return to the **Print** dialog box.
- 10** Click **OK** button to start printing.

Sending

This machine can send a scanned image as an attachment to an E-mail message or to a PC linked to the network. In order to do this, it is necessary to register the sender and destination (recipient) address on the network.

A network environment which enables the machine to connect to a mail server is required. It is recommended that a Local Area Network (LAN) be used to assist with transmission speed and security issues.

At the same time as you send a scanned image, you can also print the image or send it to the Document Box.

To use the Scanning Function perform the following steps:

- Program the settings, including the E-mail setting on the machine.
- Use EWS (Embedded Web Server) (the internal HTML web page) to register the IP address, the host name of the SMTP server, and the recipient.
- Register the destination in the Address Book or One-touch keys.
- When the PC Folder (SMB/FTP) is selected, it is necessary to share the destination folder. For setting-up the PC Folder, contact your Network Administrator.
- Creating/Registering a Document Box (when a Document Box is selected as the destination)
- Detailed transmission settings (to select a Document Box as the destination or to print and send the image at the same time)

Follow the steps below for basic sending. The following four options are available.

- Send as E-mail: Sends a scanned original image as an E-mail attachment...*page 3-27*
- Send to Folder (SMB): Stores a scanned original image in a shared folder of any PC...*page 3-29*
- Send to Folder (FTP): Stores a scanned original image in a folder of an FTP server...*page 3-32*
- Send to Document Box: Stores a scanned original image in a Document Box ...*page 3-48*
- Image Data Scanning with TWAIN: Loads the document data stored in a Custom Box to a PC...*page 3-35*
- Image Data Scanning with WIA: Loads the document data stored in a Custom Box to a PC...*page 3-35*

NOTE: Originals in color can be scanned by adding more memory in the machine. Consult with your service representative.

Different sending options can be specified in combination. Refer to *Sending to Different Types of Destinations (Multi Sending)* on page 3-44.

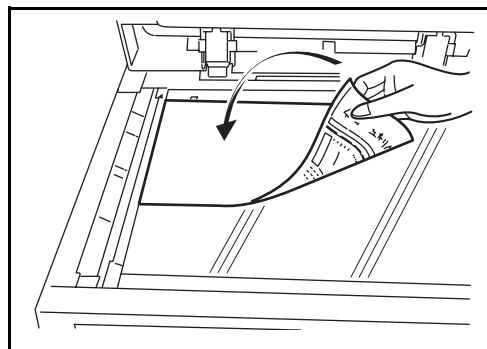
Send as E-mail

Sends a scanned original image as an E-mail attachment.

NOTE:

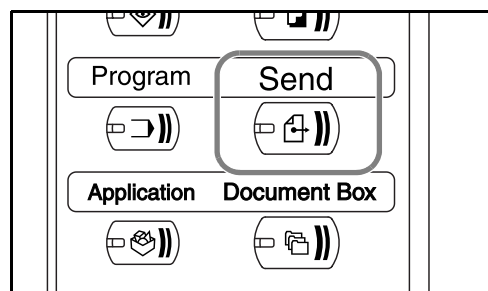
- You must have a network environment in which this machine can connect to a mail server. It is recommended that the machine be used in an environment in which it can connect to the mail server at any time over a LAN.
- Register the IP address and SMTP server host name in EWS (Embedded Web Server) beforehand. For details, see *Accessing EWS (Settings for Network and Transmission)* on page 2-12.

- 1 Place the originals on the platen or in the optional document processor.



NOTE: For loading instructions, refer to *Loading Originals* on page 2-47.

- 2 Press the **Send** key.



- 3 Press [E-mail Addr Entry] and then [E-mail Address].

NOTE: Destination can be specified using the Address Book or the One-touch Keys. Refer to *Specifying Destination* on page 3-42.

- 4 Enter destination E-mail address and press [OK].



- 5 Press [To:], [Cc:] or [Bcc:] to change the recipient status as necessary.
To specify another destination, go to the step 6. To specify only one destination, go to step 7.
- 6 Press [Next Dest.] and repeat steps 4 and 5 to specify the destination. Up to 100 E-mail addresses can be specified.

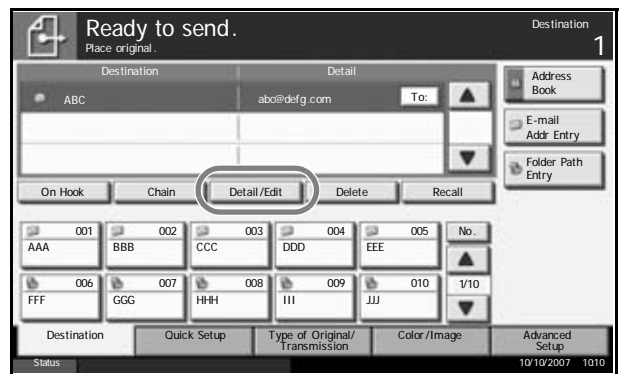
NOTE: When [Add to Addr Book] is displayed, the destinations are registered in the Address Book.

- 7 Press [OK]. The destinations are registered in the destination list.

- 8 Check the destination list.

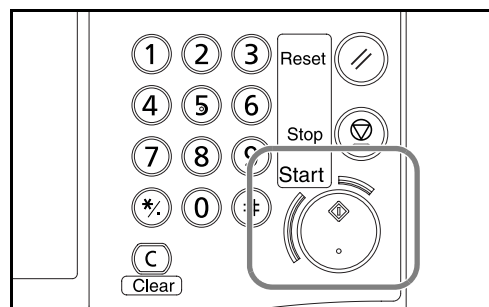
Select a destination and press [Detail/Edit] to check and edit it. Refer to steps 4 and 5 to edit the destination as necessary.

Select a destination and press [Delete] to remove the destination from the list.



- 9 Change the original size, scan resolution, etc. if necessary.

- 10** Press the **Start** key. The scanned original is sent to the specified E-mail address.



3

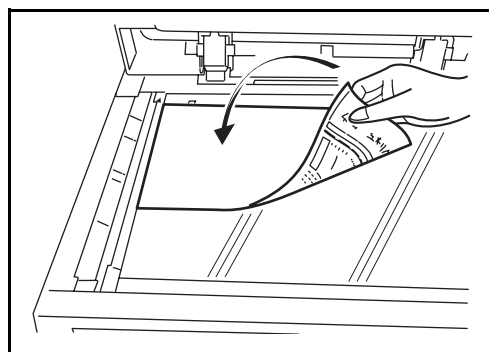
Send to Folder (SMB)

Stores a scanned original image file in the specified shared folder of any PC.

NOTE:

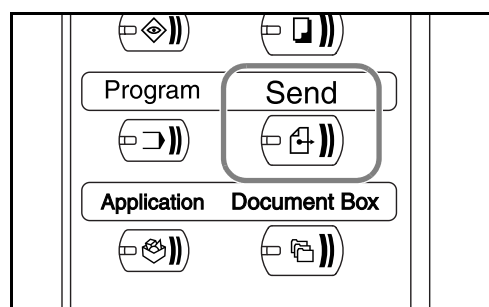
- Refer to Help of your operating system for details on how to share a folder.
- Be sure that **SMB Protocol** of EWS (Embedded Web Server) is **On**. Refer to *SMB Settings* on page 2-18.

- 1** Place the originals on the platen or in the optional document processor.



NOTE: For loading instructions, refer to *Loading Originals* on page 2-47.

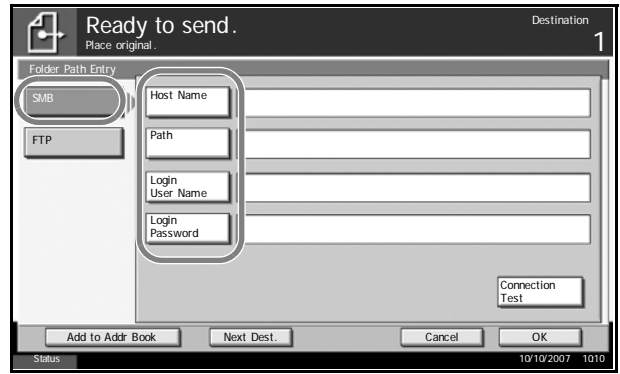
- 2** Press the **Send** key.



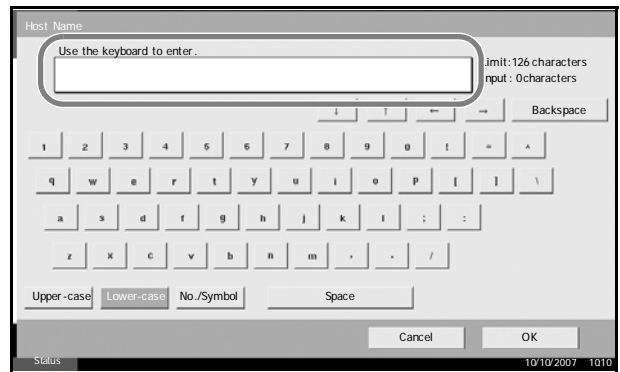
- 3** Press [Folder Path Entry] and then [SMB].

NOTE: Destination can be specified using the Address Book or the One-touch Keys. For details, refer to *Specifying Destination* on page 3-42.

- 4 Enter host name, path, login user name and login password. Press the key of each item to first display the entry screen.



- 5 Enter the destination data and press [OK].

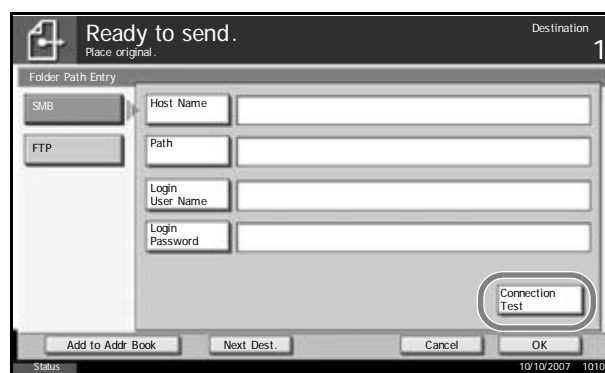


Data to be entered are as follows.

Item	Data to be entered	Max. characters
Host Name*	Host name or IP address of the PC to receive the data.	Up to 62 characters
Path	Path to the receiving folder such as follows. For example, <code>\User\ScanData</code> .	Up to 126 characters
Login User Name	User name to access the PC For example, <code>abcdnet\james.smith</code>	Up to 62 characters
Login Password	Password to access the PC	Up to 62 characters

* To specify a port number different from the default (139), enter using the format "host name : port number" (e.g., `SMBhostname:140`).

- 6** Upon completion of all entries, press [Connection Test] to check the connection.



NOTE: *Connected* appears when connection to the destination is correctly established. If *Cannot connect* appears, review the entry.

To specify another destination, go to the step 7. To specify only one destination, go to step 8.

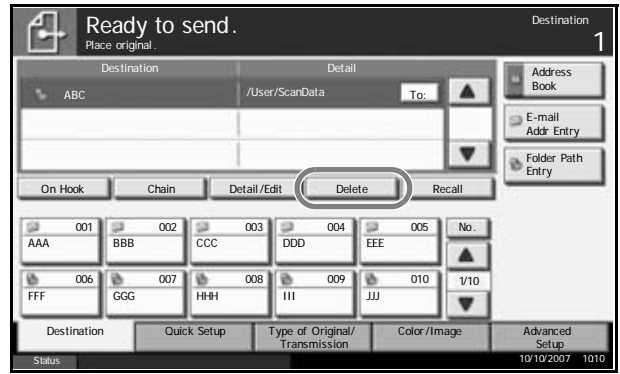
- 7** Press [Next Dest.] and repeat steps 4 to 6 to specify the destination. You can specify a combined total of up to 10 FTP and SMB destination folders.

NOTE: When [Add to Addr Book] is displayed, the entry is registered in the Address Book.

- 8** Press [OK] to register the entry in the destination list.
- 9** Check the destination list.

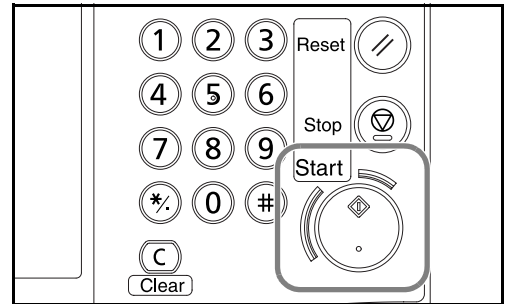
Select a destination and press [Detail/Edit] to check and edit it. Edit it, if necessary, referring to steps 4 to 6.

Select a destination and press [Delete] to remove the destination from the list.



10 Change the original size, scan resolution, etc. if necessary.

11 Press the **Start** key. The scanned original data file is sent to the specified shared folder of the PC.

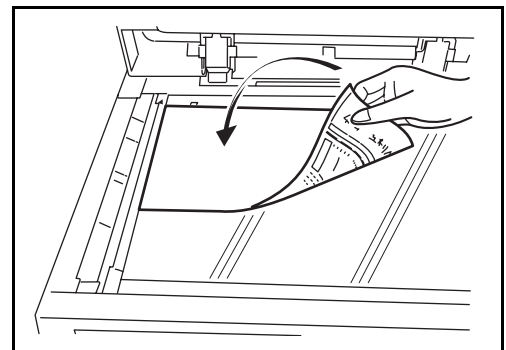


Send to Folder (FTP)

Stores a scanned original image in a folder of an FTP server.

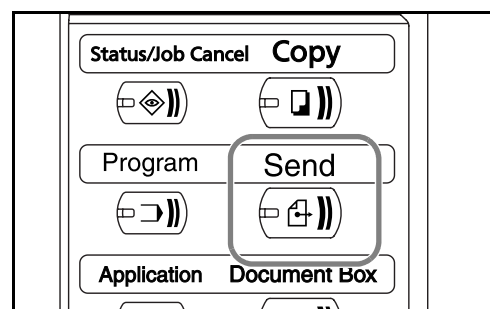
NOTE: Be sure that **FTP** of EWS (Embedded Web Server) is **On**. Refer to *FTP Settings* on page 2-19.

1 Place the originals on the platen or in the optional document processor.



NOTE: For loading instructions, refer to *Loading Originals* on page 2-47.

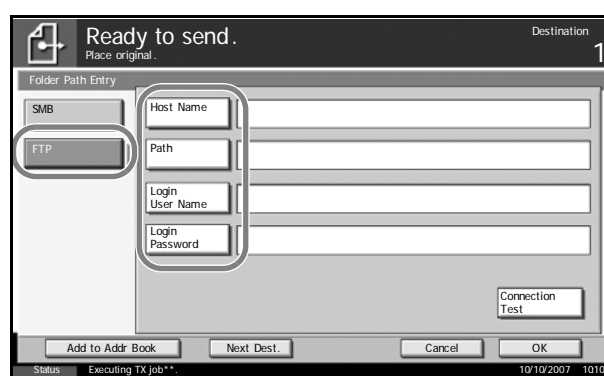
- 2 Press the **Send** key.



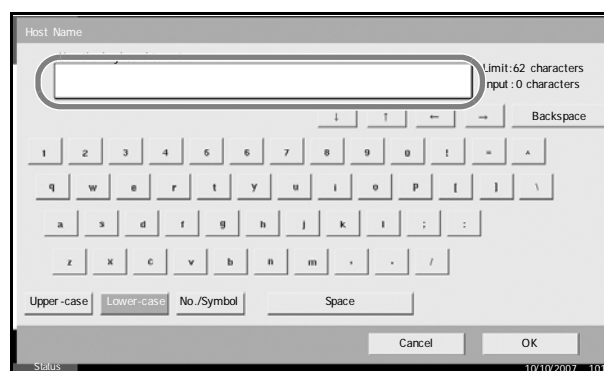
- 3 Press [Folder Path Entry] and then [FTP].

NOTE: Destination can be specified using the Address Book or the One-touch Keys. Refer to *Specifying Destination* on page 3-42.

- 4 Enter host name, path, login user name and login password. Press the key of each item to first display the entry screen.



- 5 Enter the destination data and press [OK].



Data to be entered are as follows.

Item	Data to be entered	Max. characters
Host Name*	Host name or IP address of FTP server	Up to 62 characters
Path	Path to the receiving folder. For example, <code>\User\ScanData</code> . Otherwise the data will be saved in the home directory.	Up to 126 characters
Login User Name	FTP server log-in user name	Up to 62 characters
Login Password	FTP server log-in password	Up to 62 characters

* To specify a port number different from the default (21), enter using the format "host name : port number" (e.g., `FTPhostname:140`).

- 6** Upon completion of all entries, press [Connection Test] to check the connection.



NOTE: *Connected.* appears when connection to the destination is correctly established. If *Cannot connect.* appears, review the entry.

If you wish to specify another destination, go to the step 7. If the destination is only one, go to step 8.

- 7** Press [Next Dest.] and repeat steps 4 to 6 to specify the destination. Up to 10 folders (total number of SMB and FTP folders) can be specified.

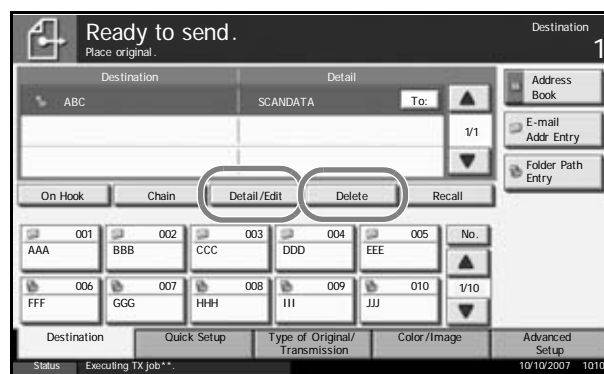
NOTE: When [Add to Addr Book] is displayed, the entry is registered in the Address Book.

- 8** Press [OK] to register the entry in the destination list.

- 9** Check the destination list.

Select a destination and press [Detail/Edit] to check and edit it. Edit it, if necessary, referring to steps 4 to 6.

Select a destination and press [Delete] to remove the destination from the list.



3

10 Change the original size, scan resolution, etc. if necessary.

11 Press the **Start** key. The scanned original data file is saved to the specified FTP server.

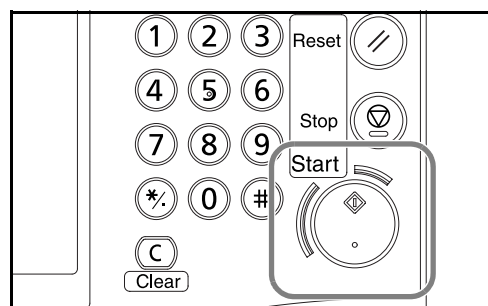


Image Data Scanning with TWAIN / WIA

Download document data stored in a Custom Box to a PC by using the TWAIN Driver or WIA Driver.

NOTE: The document data must already be stored in the Custom Box. For detail, see *Using Document Box* on page 3-45. Install TWAIN driver or WIA driver on your computer in the custom mode from the supplied CD-ROM (Product Library).

Image data scanning using WIA Driver is supported in Windows Vista only.

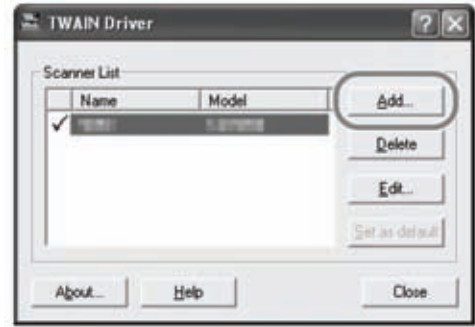
Setting TWAIN Driver

Register this machine to the TWAIN Driver to select the machine's Custom Box.

1 Select **Start** button of the Windows display, **All Programs**, and then **TWAIN Driver Setting**.

NOTE: You can also add the machine to a PC when selecting **Start** of the Windows display, **Control Panel** and then **TWAIN**.

- 2 Click the **Add** button.



- 3 Enter the machine name in the **Name** field.



- 4 Click the ▼ button next to the Model field and select this machine from the list.
- 5 Enter the machine's IP address or host name in the **Scanner Address**.

NOTE: When the machine's IP address is unknown, contact Administrator.

- 6 Click **User Authentication Settings** button. If user login administration is invalid, go to Step 8.

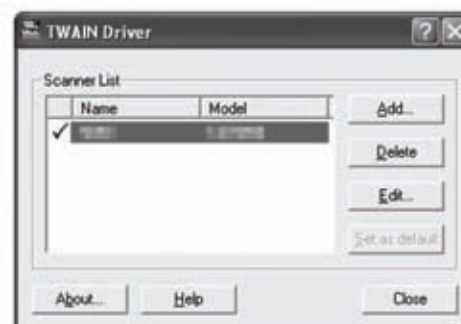
- 7 Select the checkbox beside **Authentication**, enter Login User Name (up to 64 characters) and Password (up to 64 characters) and then click the **OK** button.



3

- 8 Click the **OK** button.
- 9 The machine is registered to the PC and the machine name and model name are displayed in the **Scanner List** field.

NOTE: Click the **Delete** button to delete the added machine. Click the **Edit** button to change names.



Setting WIA Driver (Windows Vista only)

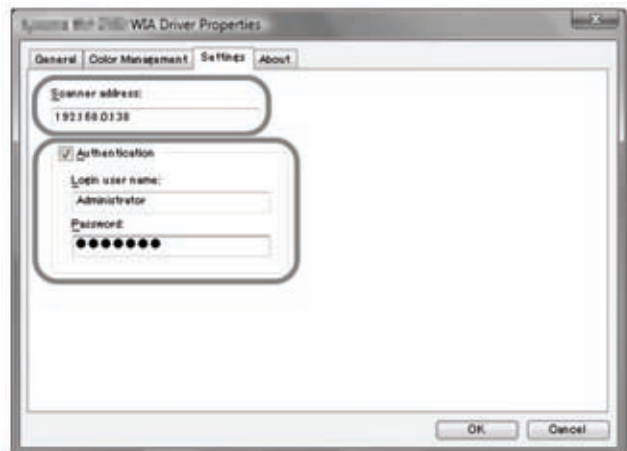
Register this machine to the WIA Driver to select the machine's Custom Box. The following is not necessary to register when the Scanner Address (the machine's IP address) is entered during installation of WIA Driver.

- 1 Select **Start** button of the Windows display, **Control Panel**, and then **Scanners and Cameras**.
- 2 Select the same name as this machine from WIA Drivers, and press the **Properties** button.



NOTE: If Windows Security and User Account Control are displayed, no trouble should be found with operation after installing the driver and software we have provided. Continue installation.

- 3 Click the **Settings** tab and enter the machine's IP address or host name in the **Scanner Address** field. If user login administration is invalid, go to Step 5.



NOTE: When the machine's IP address is unknown, contact Administrator.

- 4 Select the checkbox beside **Authentication**, enter Login User Name (up to 64 characters) and Password (up to 64 characters) and then click the **OK** button.
- 5 Click the **Close** button.

The machine is registered to the PC and the machine name and model name are displayed in the **Scanner List** field.

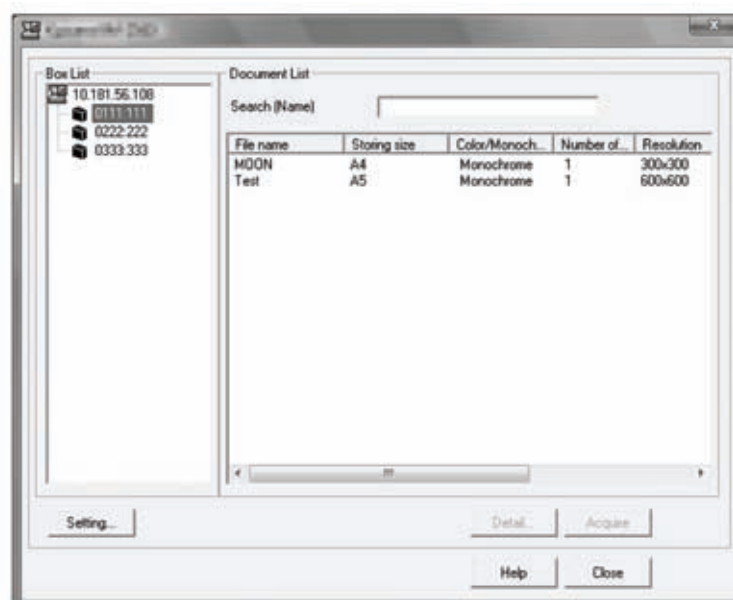
Scanning document data

Scan the document data stored in the Custom Box of the machine. The following procedure is an example for scan operation using the TWAIN Driver. Operate the WIA Drivers in the same manner.

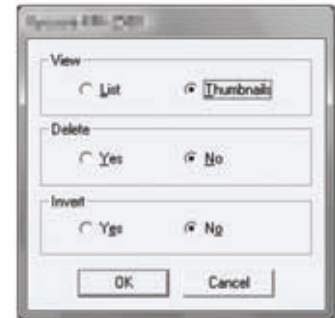
- 1 Activate the TWAIN compatible application.
- 2 Select the machine using the application and display the TWAIN dialog box.

NOTE: For selecting the machine, see the Operation Guide or Help for each application software.

- 3 Select the Custom Box containing the document file to be scanned from the **Box List**. If a password has been set for the box, the password entry screen appears. Enter the password and click the **OK** button. When you select a box, the document files in the Custom Box appear in the **Document List**.

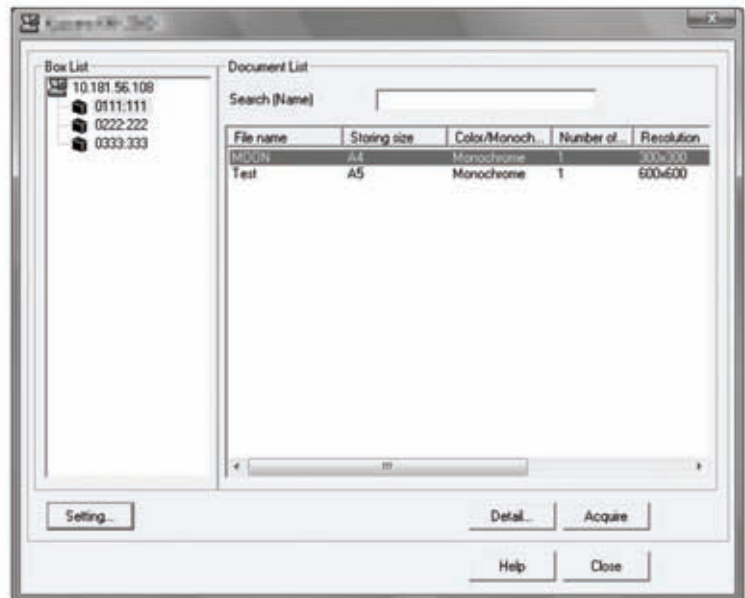


- 4 Set how to display the document data. Click the **Setting** button to select each item.



Item	Description
View	Change the display in the Document List field to List or Thumbnails.
Delete	After scanning the document data, delete the data from the Custom Box.
Invert	Invert the document data color to start scanning.

- 5 Click the **OK** button.
- 6 Select the document data to be scanned from **Document List**.



Enter the document data name in the **Search [Name]** to find the data having the same document data name or the document data name with the same beginning.

- 7 Click the **Detail** button to display the selected document data. When the document data includes multiple pages, select the checkbox beside the pages you want to scan. The selected pages will be scanned.



- 8 Click the **Acquire** button. The document data is scanned.

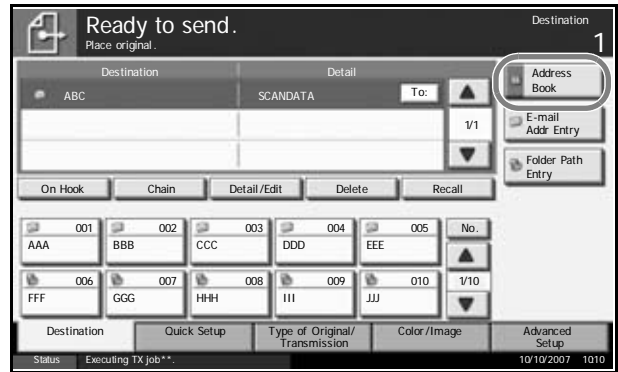
Specifying Destination

When specifying destination, choose from the Address Book or use the One-touch Keys.

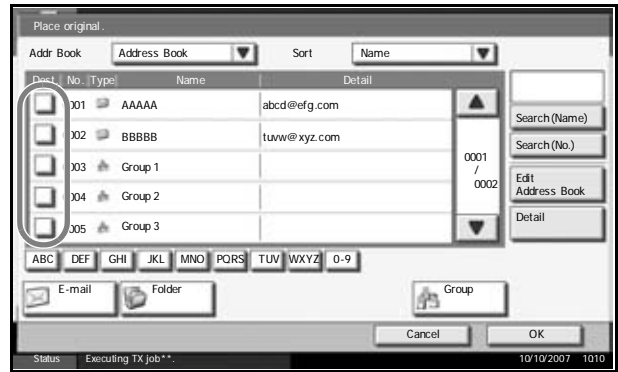
Choosing from the Address Book

Select a destination registered in the Address Book.

- 1 In the basic screen for sending, press [Address Book].



- 2 Press the checkbox to select the desired destination from the list. You may choose multiple destinations. The selected destinations are indicated by a checkmark in the check box.



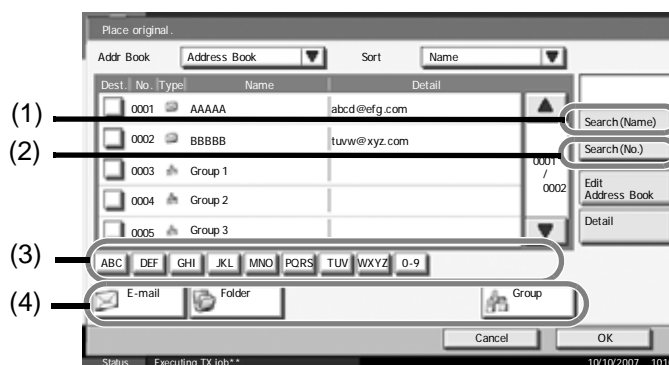
NOTE: To cancel the selection, press the check box and remove the checkmark.

- 3 When sending as E-mail, press [To:], [Cc:] or [Bcc:] to change the recipient status if necessary.
- 4 Press [OK] to register the selected destination in the destination list.

NOTE: To delete a destination in the list, select the destination and press [Delete].

Destination Search

Destinations registered in the Address Book can be searched. Advanced search by type or by initial letter is also available.



3

Keys used	Search type	Subjects searched
1	Search by name	Search by registered name.
2	Search by address number	Search by registered address number.
3	Advanced search by initial letter	Advanced search by initial letter of registered name.
4	Advanced search by destination type	Advanced search by type of registered destination (E-mail, Folder (SMB/FTP), FAX, i-FAX or Group). (FAX: Only when the optional fax kit is installed).

The procedures for using the different search modes are explained below.

Search by name

Press [Search(Name)] and enter the required name.

Search by address number

Press [Search(No.)] and enter the address number you wish to search.

Advanced search by destination type

Press any of [E-mail], [Folder], [FAX], [i-FAX] or [Group]. The destinations registered by that type are displayed.

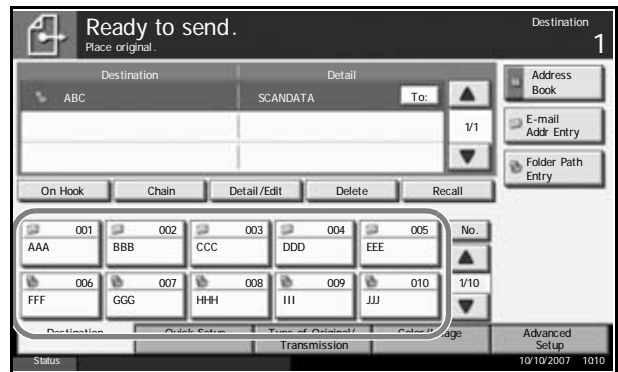
Advanced search by initial letter

Press the key for the required initial letter.

Choosing by One-Touch Key

Select the destination using the One-touch Keys.

In the basic screen for sending, press the One-touch Keys where the destination is registered.



NOTE: If the One-touch Keys for the desired destination is hidden on the touch panel, press [▼] or [▲] to scroll and view next or previous One-touch Keys.

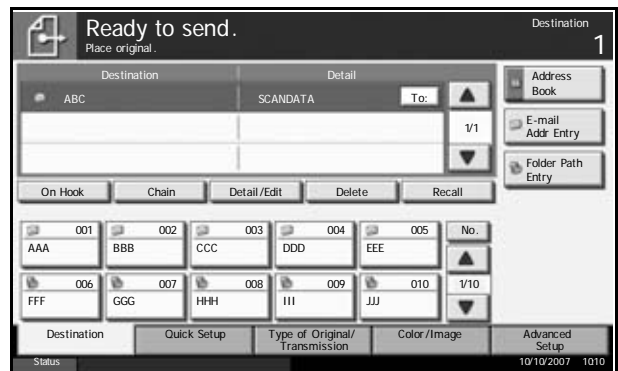
This procedure assumes that One-touch Keys have already been registered.

Refer to *the Advanced Operation Guide* for more information on registering One-touch Keys.

Choosing by Speed Dial

Access the destination by specifying the 3-digit One-touch Key number (speed dial).

In the basic screen for sending, press the **No.** key and enter the 3-digit **one-touch** key number in the numeric entry screen.



Sending to Different Types of Destinations (Multi Sending)

Also, depending on the settings, you can send and print at the same time.

Procedures are the same as used in specifying the destinations of respective types. Continue to enter E-mail address or folder path so that they appear in the destination list. Press the **Start** key to launch transmission to all destinations at one time.

Using Document Box

Follow the steps as below for basic operations for using Document Box.

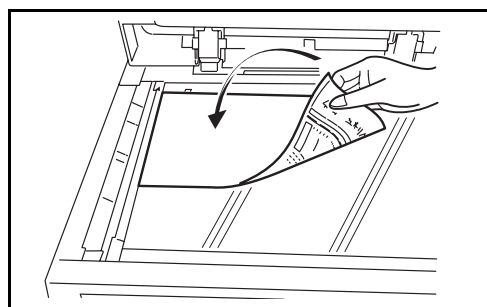
NOTE: It is assumed that a custom Document Box has already been created and registered.
Refer to *the Advanced Operation Guide* for more information on creating/registering Document Boxes.

3

Storing Documents in a Custom Box

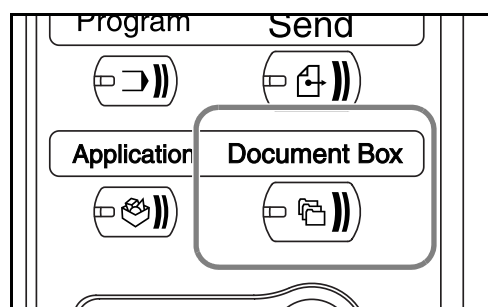
Store documents in a Custom Box.

- 1 Place the originals on the platen or in the optional document processor.

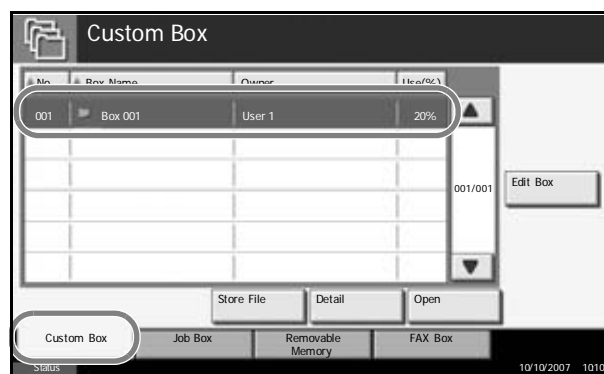


NOTE: For loading instructions, refer to *Loading Originals* on page 2-47.

- 2 Press the **Document Box** key.

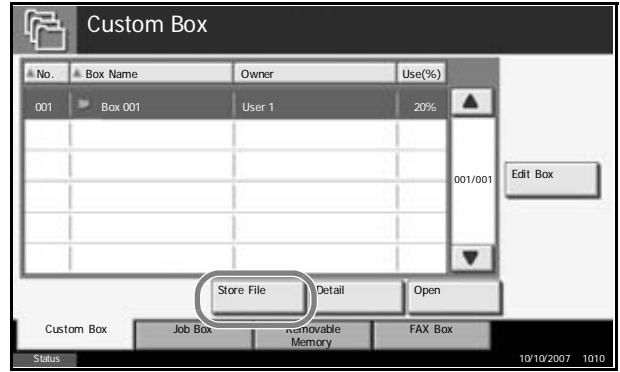


- 3 Press [Custom Box] and select the box in which the file is to be stored.



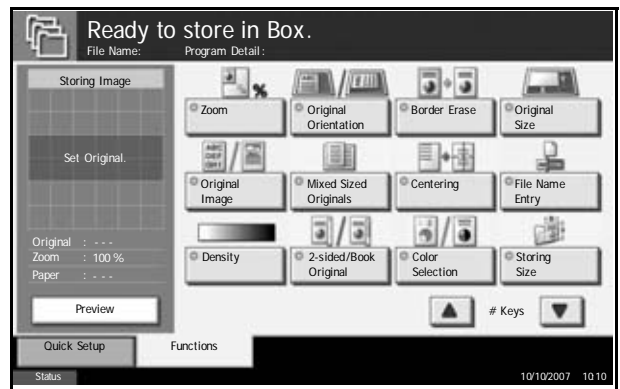
NOTE: The Custom Box to store a file needs to be created in advance.

- 4 Press [Store File].

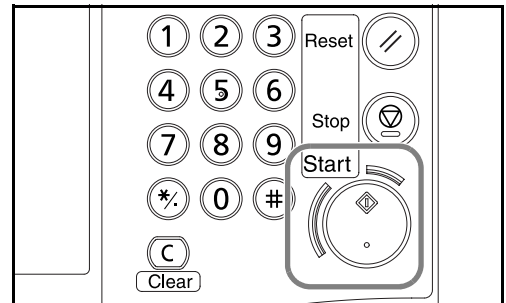


NOTE: If a password is set for the Custom Box in advance, enter the correct password.

- 5 Change the original type, scan density, etc. if necessary.



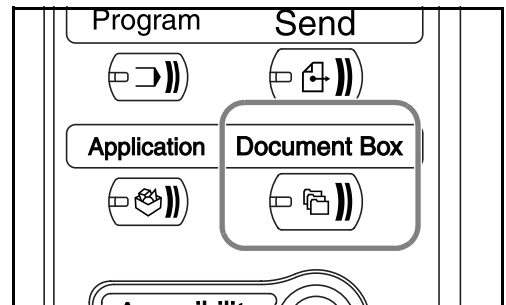
- 6 Press the **Start** key. The original will be scanned and its data will be stored in the specified Document Box.



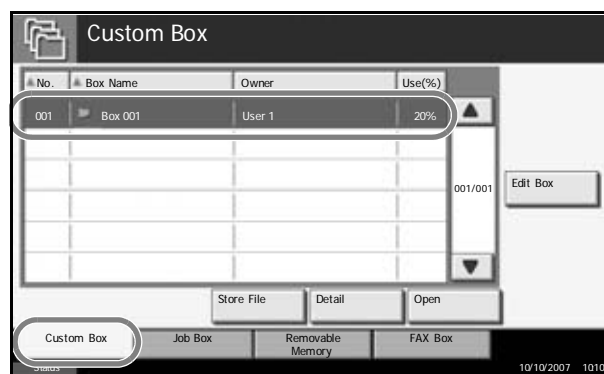
Printing Documents Stored in a Custom box

Print the documents stored in the Custom Box.

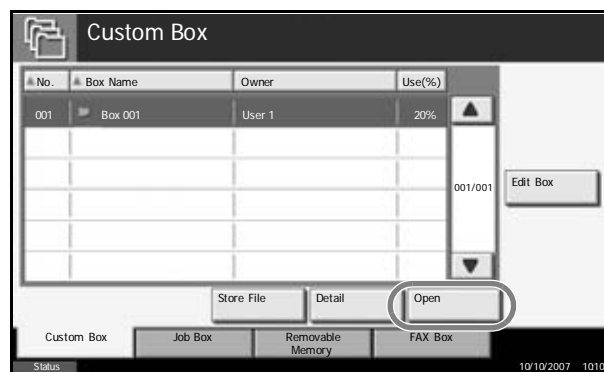
- 1 Press the **Document Box** key.



- 2** Press [Custom Box] and select the box containing the document you wish to print.

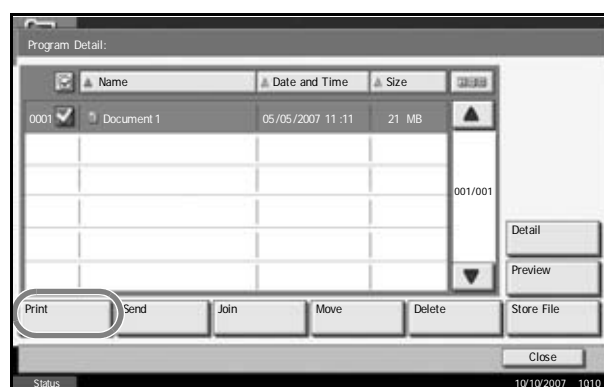


- 3** Press [Open].



NOTE: If a password is set for the Custom Box in advance, enter the correct password.

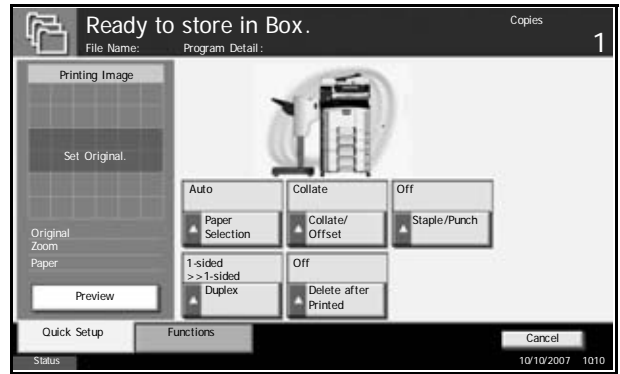
- 4** From the list, select the checkbox beside the document to be printed. The selected document is indicated by a checkmark in the checkbox.



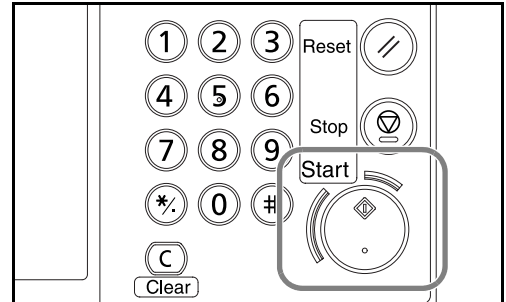
NOTE: Multiple documents cannot be selected and printed. To cancel the selection, press the checkbox and remove the checkmark.

- 5** Press [Print].

- 6 Change paper selection, 1-sided/2-sided print, etc. if necessary.



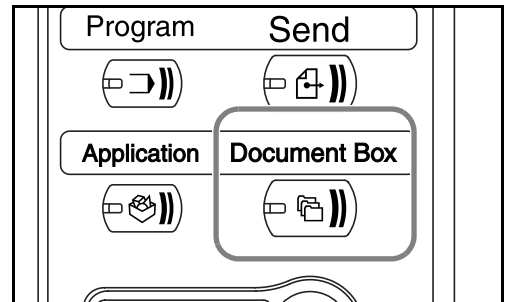
- 7 Press the **Start** key to start printing the selected document.



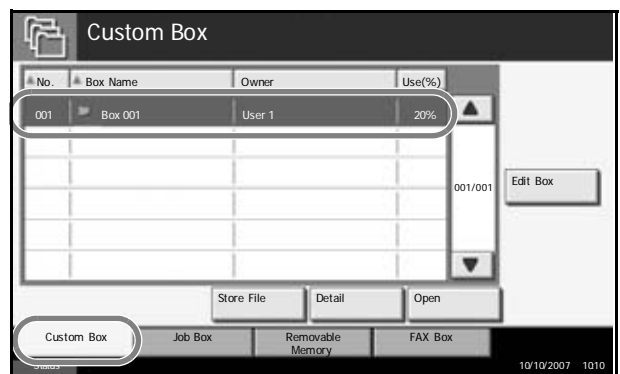
Sending Documents Stored in a Custom Box

Send a document stored in a Custom Box.

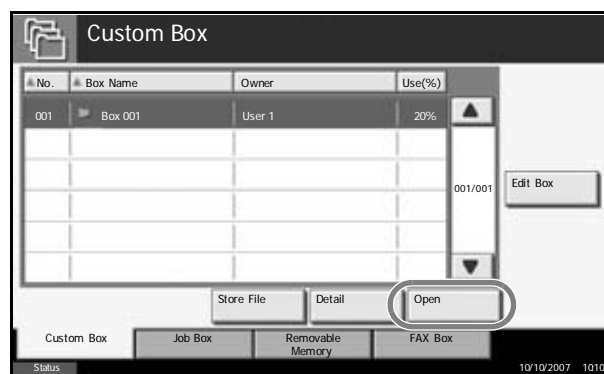
- 1 Press the **Document Box** key.



- 2 Press [Custom Box] and select the box containing the document you want to be sent.



- 3 Press [Open].



NOTE: If a password is set for the Custom Box in advance, enter the correct password.

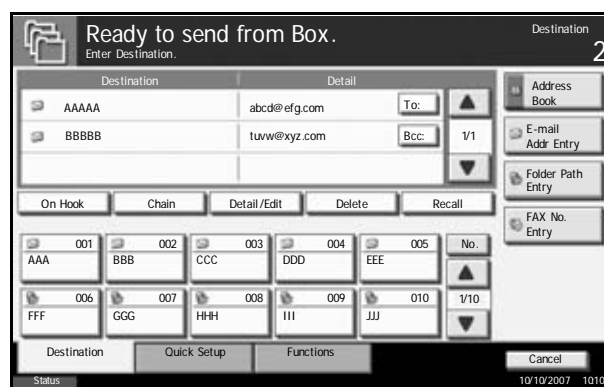
- 4 From the list, select the checkbox beside the document to be sent. The selected document is indicated by a checkmark in the checkbox.



NOTE: Multiple documents cannot be selected and sent. To cancel the selection, press the checkbox to remove the checkmark.

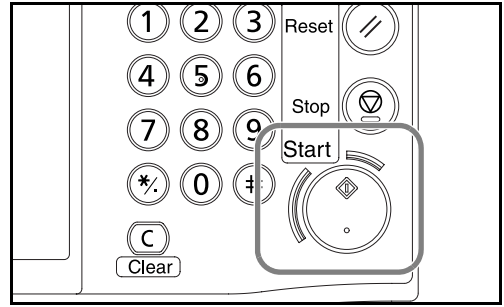
- 5 Press [Send].

- 6 Specify the destination.



NOTE: Refer to *Specifying Destination* on page 3-42 on how to choose destinations.

- 7 Press the **Start** key to start sending the selected document.



Editing Documents Stored in a Custom Box

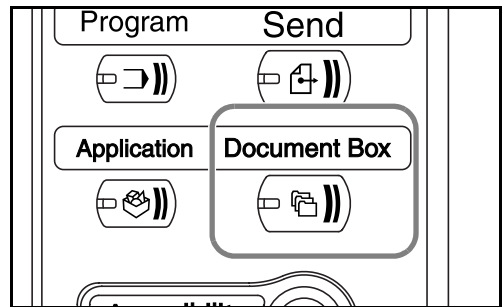
Move a document from one Custom Box to another or join multiple documents together.

NOTE: Once you print or send a document in a Custom Box, you cannot [Move] that document until printing or transmission ends.

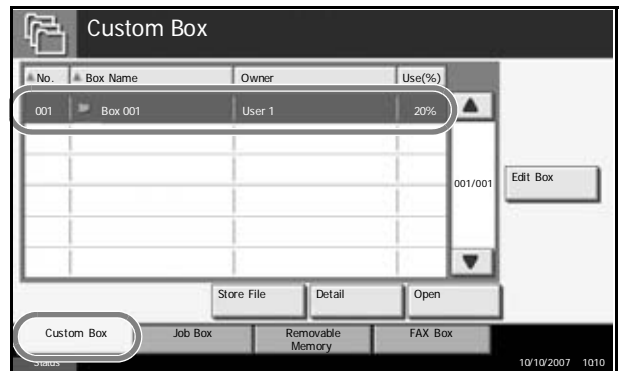
Move Documents

The procedure for moving documents is explained below.

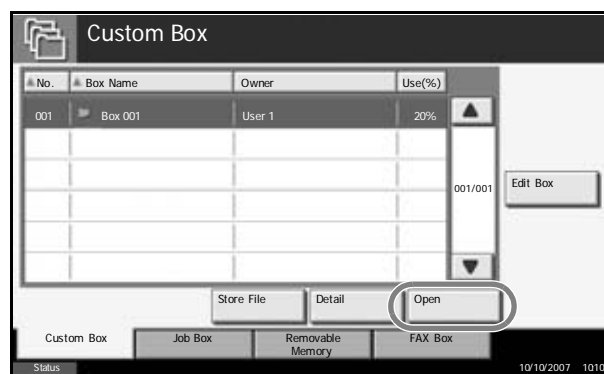
- 1 Press the **Document Box** key.



- 2 Press [Custom Box] and select the box containing the document to be moved.

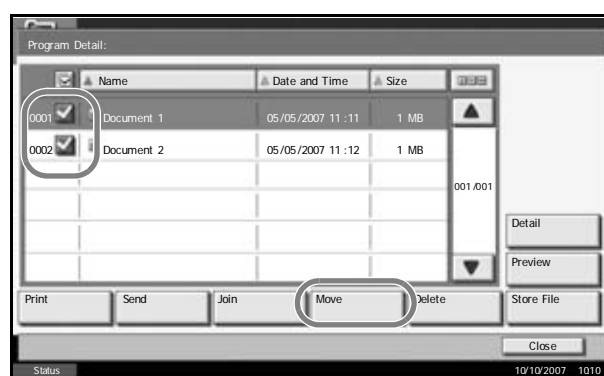


- 3 Press [Open].



NOTE: If a password is set for the Custom Box in advance, enter the correct password.

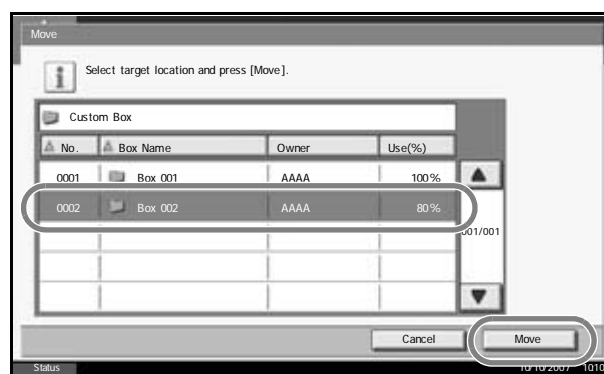
- 4 From the list, select the checkbox beside the document to be moved. The selected document is indicated by a checkmark in the checkbox.



NOTE: To cancel the selection, press the checkbox to remove the checkmark.

- 5 Press [Move].

- 6 Select the destination box and press [Move]. Then press [Yes] in the confirmation screen and the document is moved.



NOTE: If a password is set for the destination box in advance, enter the correct password.

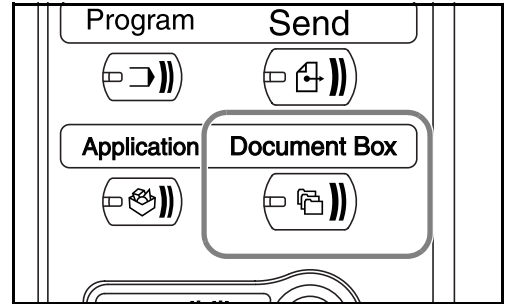
Join Documents

Join documents stored in the Custom Box.

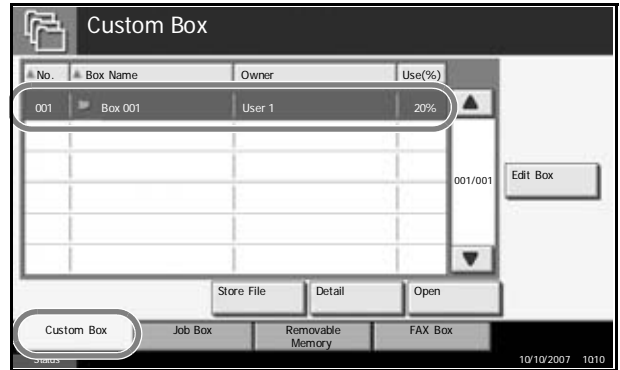
IMPORTANT: Only documents contained in the same Custom Box can be joined. If necessary, move the documents to the same Custom Box in advance.

The procedure for joining documents is explained below.

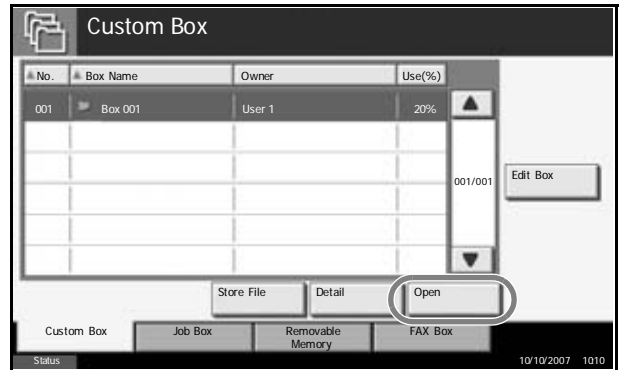
- 1 Press the **Document Box** key.



- 2 Press [Custom Box] and select the box containing the documents to be joined.

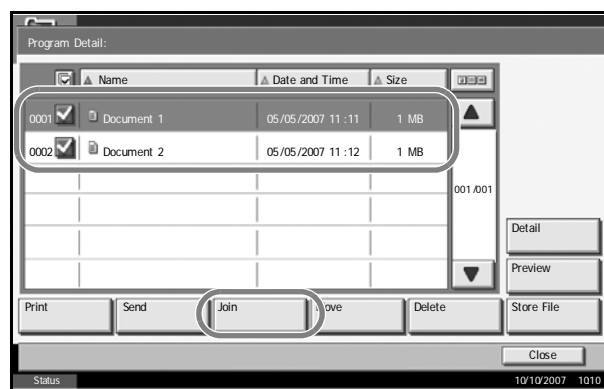


- 3 Press [Open].



NOTE: If a password is set for the Custom Box in advance, enter the correct password.

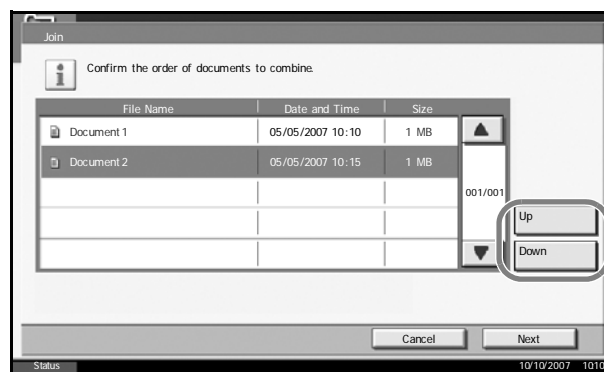
- 4 From the list, select the checkbox to indicate the documents to be joined. Up to 10 documents can be joined. The selected documents are indicated by a checkmark in the checkbox.



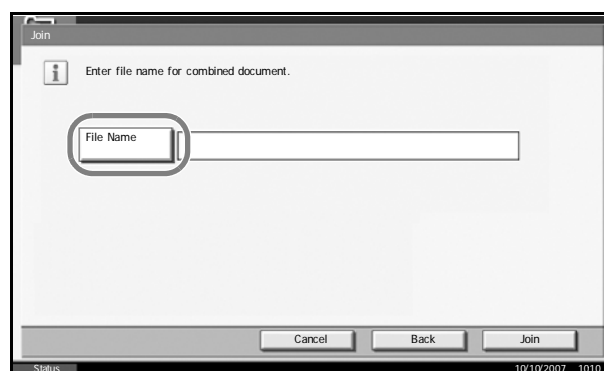
NOTE: To cancel the selection, press the checkbox and remove the checkmark.

- 5 Press [Join].
- 6 Arrange the documents in the desired order.

Press the document to be rearranged. The document will be highlighted. Press [Up] or [Down] to move the document up or down according to the order to be in.



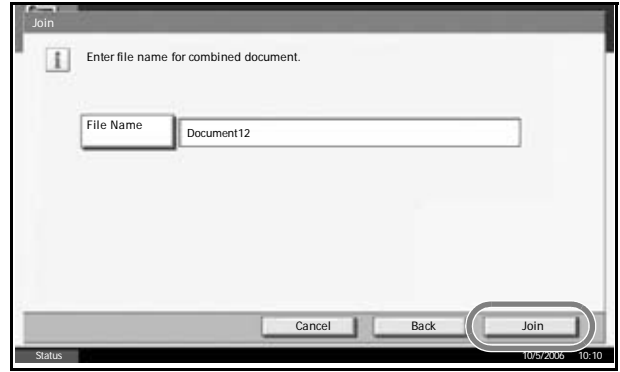
- 7 Press [Next].
- 8 Press [File Name].



- 9 Enter a new file name for the documents to be joined, and press [OK].

NOTE: Refer to the *Appendix* for entering characters.

- 10 Press [Join]. Pressing [Yes] in the confirmation screen joins the documents.



NOTE: Original documents before joining are retained. Delete them if they are unnecessary.

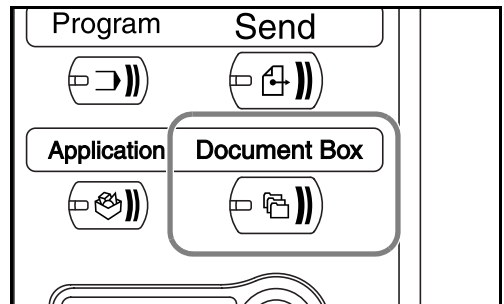
Printing Documents Stored in the Job Box

Print documents stored in the job box. The following boxes and documents are contained in the job box.

Type of box contained	Documents stored
Private Print/Stored Job	Print jobs stored by using Private Print or Stored Job functions.
Quick Copy/Proof and Hold	Print jobs stored by using Quick Print or Proof and Hold functions.
Repeat Copy	Copy job with Repeat Copy setting.
Form for Form Overlay (Copy)	Form data used for Form Overlay (Copy).

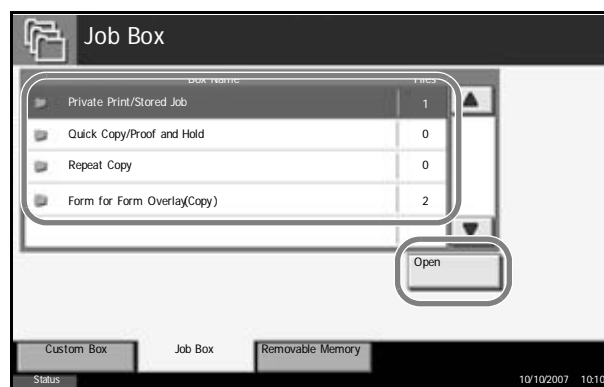
The procedure for printing documents in the Job Box is explained below.

- 1 Press the **Document Box** key.



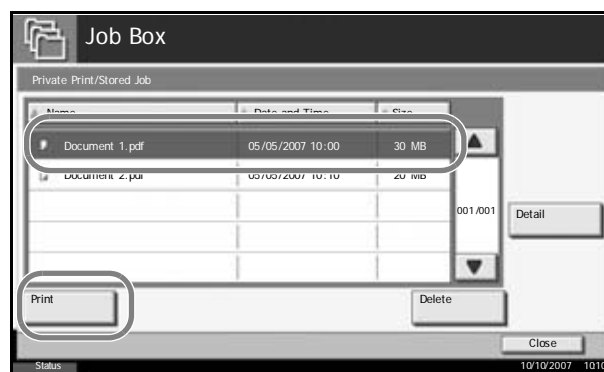
- 2 Press [Job Box].

- 3** Select the box containing the document to be printed. Press [Open].



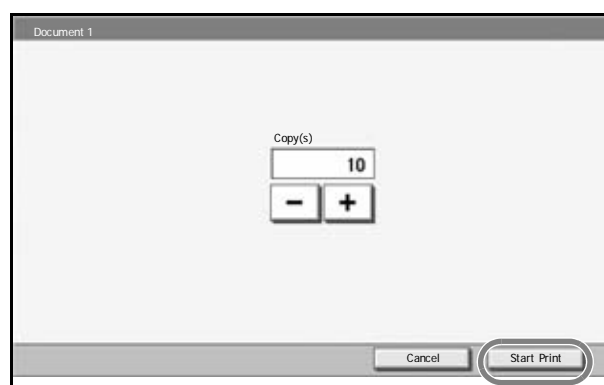
- 4** Select the document to be printed and press [Print].

In the case of image overlay (copying), press [Yes] in the confirmation screen and printing begins. For other boxes, proceed to step 5.



NOTE: If a password is set for the Custom Box in advance, enter the correct password.

- 5** Use the [+] or [-] key or the keys on the number pad to enter the number of copies and then press [Start Print]. Printing begins.



Printing Documents Stored in Removable USB Memory

Connect a removable USB memory to the machine to print PDF data stored in the memory. Printing can be performed easily without using a PC.

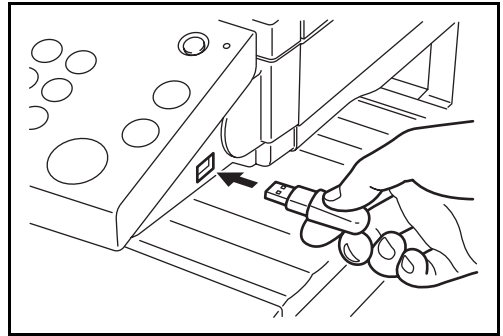
Limitations

- Only PDF file data (version 1.4 or earlier) is printable.
- High compression PDF files and encrypted PDF files are not supported.
- PDF files you wish to print should have an extension (.pdf).
- The PDF file to print must be at the root directory of the USB memory.
- Multiple documents cannot be selected and printed.
- Use USB memory properly formatted by this machine.
- Plug the USB memory directly into the USB memory slot. We do not guarantee that USB memory printing is error free if a USB hub is used.

Printing

Print documents stored in the removable USB memory.

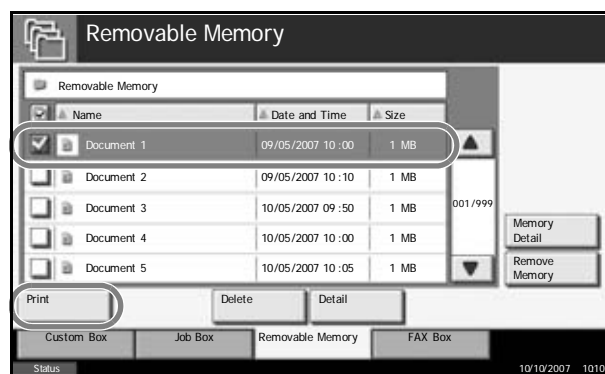
- 1** Press the **Document Box** key.
- 2** Plug the USB memory into the USB memory slot.



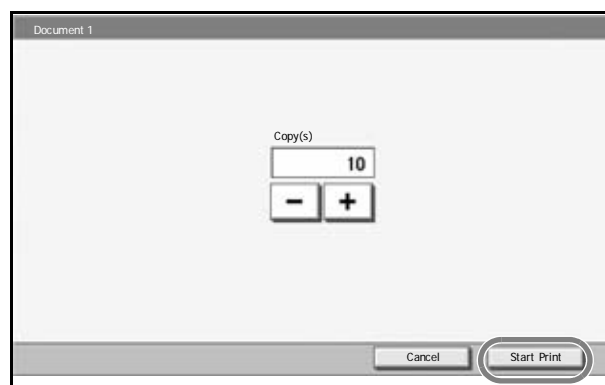
IMPORTANT: Use USB memory formatted by this machine. If a USB memory formatted by any other device is used, *Removable Memory is not formatted.* may appear. To format a USB memory, press [Format] and follow the instructions on the screen.

- 3** Press [Removable Memory].

- 4** Select the file to be printed and press [Print].



- 5** Enter the number of copies you wish to print by using [+] / [-] or the numeric keys. Then press [Start Print] to start printing.

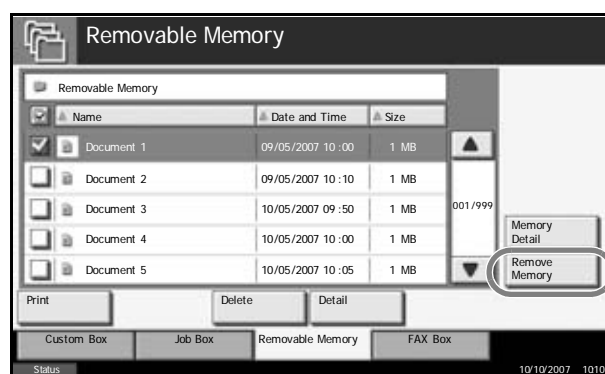


Removing USB Memory

Remove the USB memory.

IMPORTANT: Be sure to follow the proper procedure to avoid damaging the data or USB memory.

- 1** Press the **Document Box** key.
- 2** Press [Removable Memory].
- 3** Press [Remove Memory].



- 4** Remove the USB memory after *Removable Memory can be safely removed.* is displayed.

Canceling/Viewing/Changing Jobs

Follow the steps below to cancel any print or send job being executed, view job detail, or print the waiting print job first (*Priority Override*).

You can also reorder the print sequence for the queued print jobs.

Job handling operation is done in the *Status/Job Cancel* screen.

Canceling Jobs

Cancel any job while it is printing, sending or waiting.

NOTE: Printing of data received by fax cannot be cancelled.

The procedure for cancelling a job is explained below.

- 1 Press the **Status/Job Cancel** key.
- 2 Press any of [Printing Jobs], [Sending Jobs] or [Storing Jobs].

Jobs which can be cancelled in each screen are as follows.

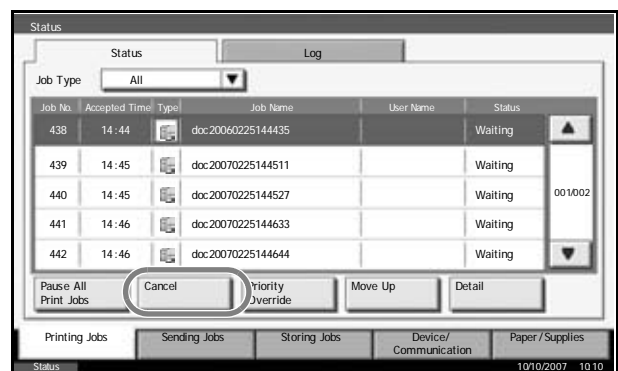
[Printing Jobs]: 8 types: Copy job, Printer job, FAX reception, i-FAX reception, E-mail reception, Job from Document Box, Report/List, Data from Removable Memory

[Sending Jobs]: 6 types: Sending Job FAX, Sending Job i-FAX, Sending Job PC(SMB/FTP), Sending Job E-mail, Sending Job TWAIN, Sending Job Multiple

[Storing Jobs]: 4 types: Storing Job Scan, Storing Job Printer, Storing Job FAX, Storing Job i-FAX

- 3 Select the job you wish to cancel and press [Cancel]. *Canceling* will appear of *Status* and the job will be canceled.

NOTE: The canceled job will be displayed in the *Log* screen.



- 4 Repeat steps 2 and 3 to cancel other jobs.

Canceling Jobs with the Stop Key

You can also cancel jobs by pressing the **Stop** key.

Canceling jobs by pressing the **Stop** key differs in detailed procedures depending on the content of *Reserve Next Priority Settings*.

If Reserve Next Priority Setting is set to On

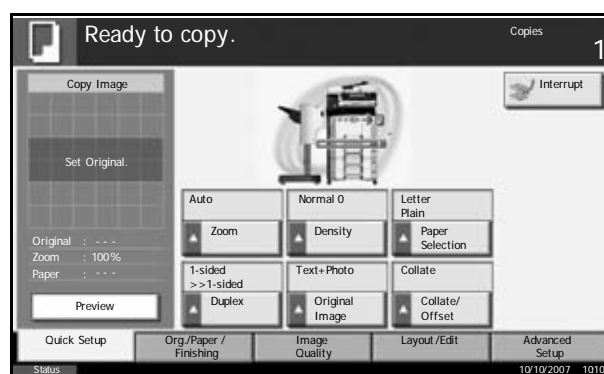
Printing jobs

The Copy function default screen appears on the touch panel during printing.

- 1 Press the **Stop** key.

Canceling job screen appears.

The current print job is temporarily interrupted.



- 2 To cancel printing, select [Cancel], and then press [Yes] in the confirmation screen.

To restart a job, press [Resume All Print Jobs].

NOTE: If the machine is left for 60 seconds, *Canceling job* screen is automatically closed, and paused printing job resumes. Pressing the **Stop** key during scanning originals cancels the scanning operation.

Sending jobs

You cannot temporarily stop a sending job, that is already being executed, even by pressing the **Stop** key.

- 1 Press the **Stop** key.

A status screen is displayed.

- 2 To cancel printing, select [Cancel], and then press [Yes] in the confirmation screen.

To restart a job, press [Close].

If Reserve Next Priority Setting is set to Off

The Copying screen appears in the touch panel during printing.

- 1 Press the **Stop** key or [Cancel].

The current print job is cancelled.

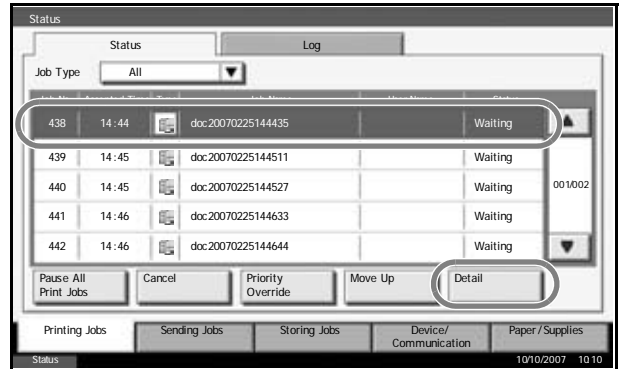


Checking the Job Status

View the status of the job being executed or waiting.

The procedure for checking the job status is explained below.

- 1 Press the **Status/Job Cancel** key.
- 2 Press any of [Printing Jobs], [Sending Jobs] or [Storing Jobs], and then press [Status].
- 3 Select the job you wish to view and press [Detail].



- 4 Details of the selected job will be displayed.



NOTE: Press [▲] or [▼] to view next details. In the sending job, view the destination by pressing [Detail] of *Destination* or *Status/Destination*.

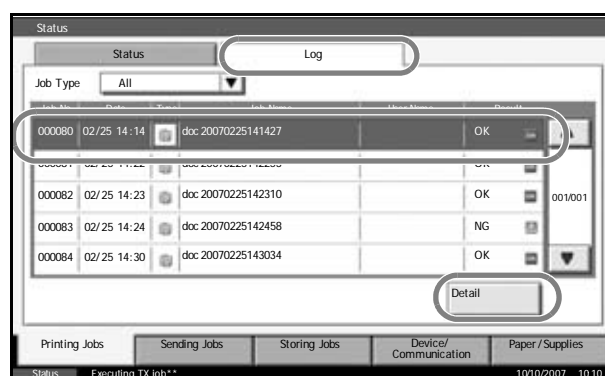
- 5 Press [Close] to end viewing.

Viewing the Job Log

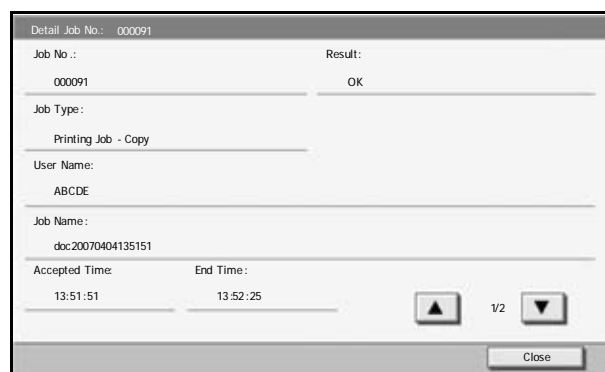
View the jobs that have been finished or canceled.

The procedure for viewing the job log is explained below.

- 1 Press the **Status/Job Cancel** key.
- 2 Press any of [Printing Jobs], [Sending Jobs] or [Storing Jobs]. Then press [Log].
- 3 Select the job you wish to view and press [Detail].



- 4 Details of the selected job will be displayed.



NOTE: Press [▲] or [▼] to view next details. Press [Detail] of *Destination* or *Status/Destination* in the Sending Jobs to view the destinations.

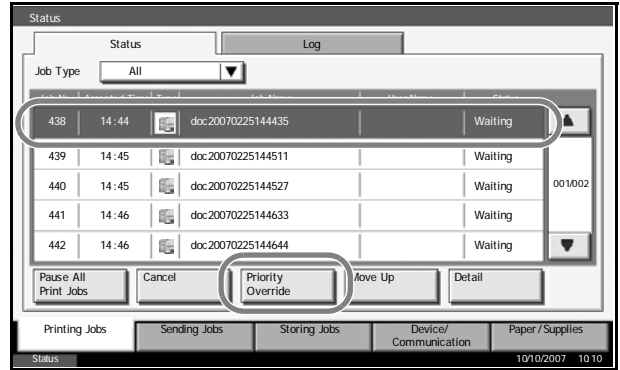
- 5 Press [Close] to end viewing.

Print Job Suspension and Interruption (Priority Override)

Suspend the current print job temporarily to run a more urgent queued job. This is referred to as *Priority Override*.

NOTE: If the current print job is already specified as Priority Override, the new urgent job will be executed after completion of the current job.

- 1 Press the **Status/Job Cancel** key.
- 2 Press [Printing Jobs].
- 3 Select the job you wish to give priority to and press [Priority Override]. The print job currently under way will be suspended to start the priority print job.



- 4 The suspended print job will resume after completion of the Priority Override job.

Reordering Print Jobs

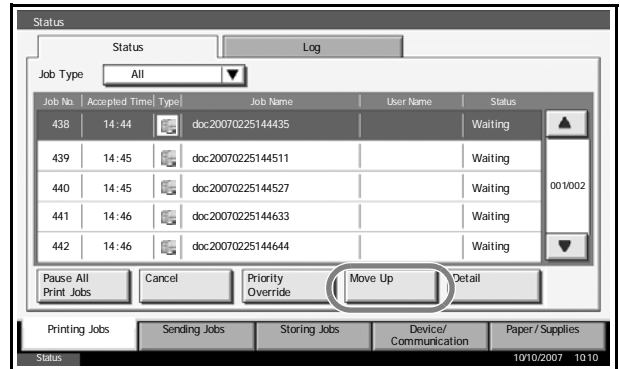
This function allows you to select a queued print job and raise its priority.

NOTE: You cannot assign a higher priority than the job currently being printed or jobs that have been queued due to an interruption. Nor can you assign a priority higher than a job being processed. You cannot lower a job's priority.

The procedure for reordering print jobs is explained below.

- 1 Press the Status/Cancel key.
- 2 Select the job to be assigned higher priority and press [Move Up].The priority of the selected job is increased by 1.

To further raise the job's priority, press [Move Up] again. Each time you press [Move Up], the priority increases by 1.

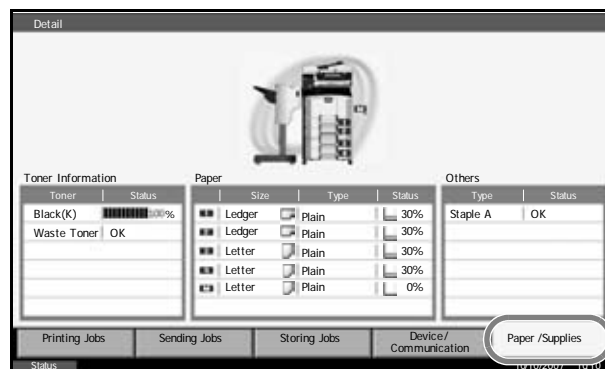


Checking Remaining Toner and Paper

Follow the steps below to check remaining toner and paper on the touch panel.

NOTE: Paper size and media type loaded in each paper source can also be checked.

- 1 Press the **Status/Job Cancel** key.
- 2 Press [Paper/Supplies].



- 3 Check the remaining toner of *Toner Information* and the remaining paper of each paper source of *Paper*.

NOTE: Remaining toner level is indicated at one of 11 levels between 100% and 0%. The smaller the number, the smaller the amount of remaining toner.

Paper remaining in the Multi Purpose Tray is indicated either as 100% or 0%.

Quick Setup Screen

In the initial screen for copying and sending (the screen which appears immediately after the **Copy** or **Send** key is first pressed after power-on), important and generally often used functions are registered from among the versatile functions of this machine. This initial screen is called *Quick Setup* Screen. Registration of functions in the Quick Setup Screen can be adjusted to suit your work environment for better efficiency.

Functions Available for Registration in the Quick Setup Screen

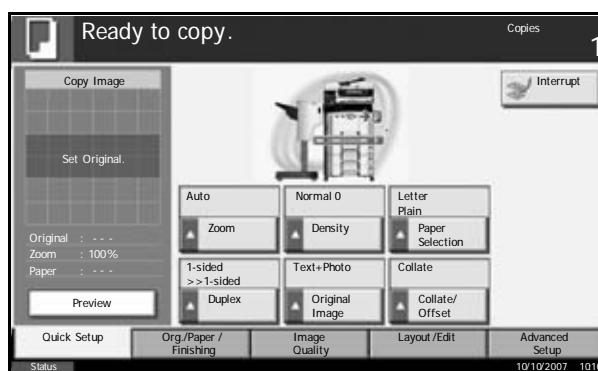
Default registrations and the functions available for registration are as follows.

Function	Default Registration	Functions Available for Registration
Copying	1: Zoom 2: Density 3: Staple 4: Duplex 5: Original Image 6: Collate/Offset	<ul style="list-style-type: none"> • Zoom • Density • Staple • Duplex • Original Image • Collate/Offset • Original Size • Paper Selection • Combine
Sending	1: Zoom 2: Density 3: Scan Resolution 4: 2-sided/Book Original 5: Original Image 6: Color Selection	<ul style="list-style-type: none"> • Zoom • Density • Scan Resolution • 2-sided/Book Original • Original Image • Color Selection • Original Size • Sending Size • File Format • Original Orientation

Function		Default Registration	Functions Available for Registration
Document Box	Document Storage	1: Zoom 2: Density 3: Scan Resolution 4: 2-sided/Book Original 5: Original Image 6: Color Selection	<ul style="list-style-type: none"> • Zoom • Density • Scan Resolution • 2-sided/Book Original • Original Image • Color Selection • Original Size • Storing Size • Original Orientation
	Sending From Box	1: File Format 2: Delete after Transmitted	<ul style="list-style-type: none"> • File Format • Delete after Transmitted
	Printing From Box	1: Paper Selection 2: Delete after Printed 3: Staple 4: Duplex 5: Collate/Offset	<ul style="list-style-type: none"> • Paper Selection • Delete after Printed • Staple • Duplex • Collate/Offset

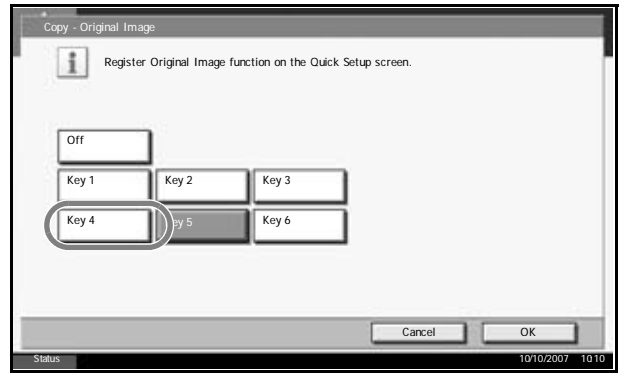
Changing Registration

The following procedure is one example for replacing the registration of *Density* with *Original Image* in the *Quick Setup* Screen for copying.



- 1** Press the **System Menu** key.
- 2** Press [Copy], [Next] of *Quick Setup Registration*, and then [Change] of *Original Image*.

- 3** Press [Key 4] here as the key to set replacement location.



- 4** Press [OK]. The Original Image Quality function will be newly registered.

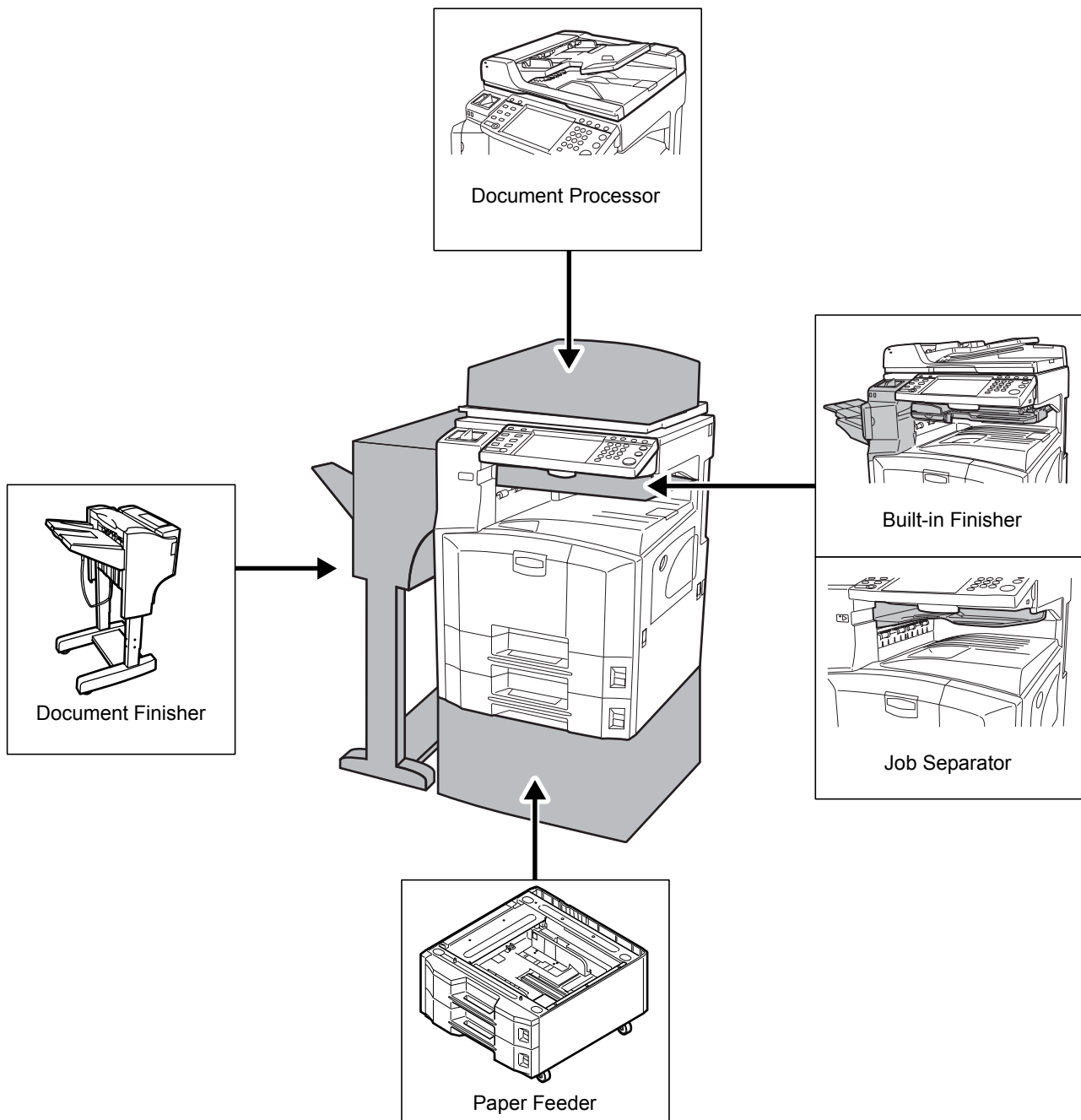
4 Optional Equipment

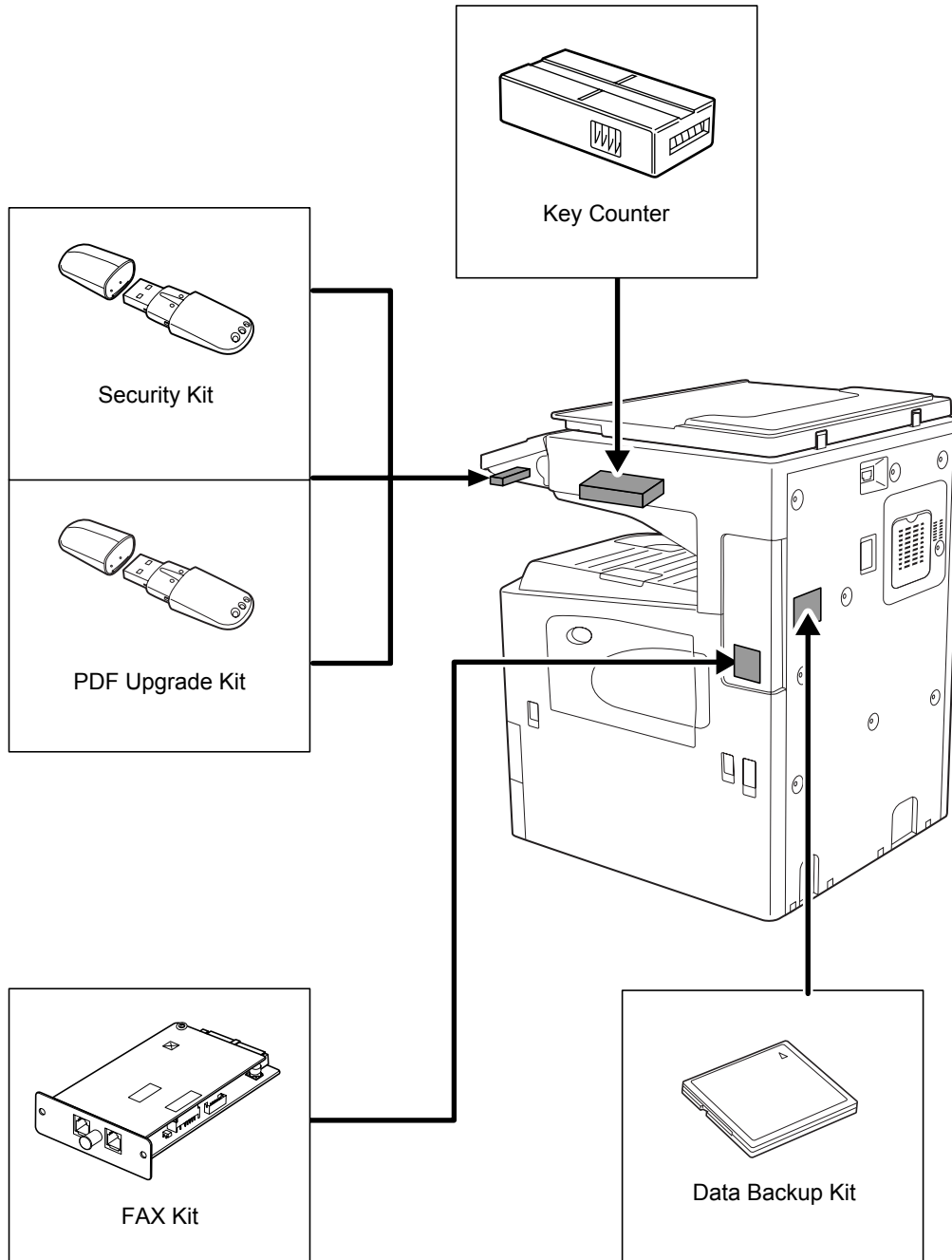
This chapter introduces the optional equipment available for the machine.

- Overview of Optional Equipment..... 4-2
- Document Processor..... 4-4
- Paper Feeder 4-4
- Built-in Finisher..... 4-5
- Document Finisher 4-9
- Job Separator..... 4-9
- Key Counter4-11
- FAX Kit4-11
- Data Backup Kit..... 4-12
- Security Kit (USB Key) 4-12
- PDF Upgrade Kit (USB Key) 4-12

Overview of Optional Equipment

The following optional equipment is available for the machine.

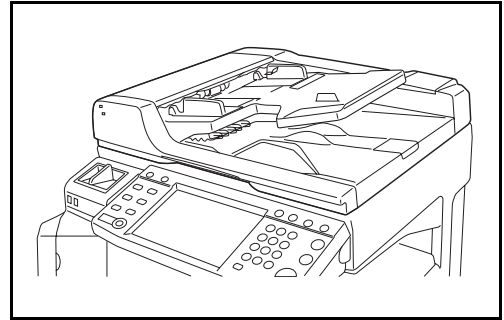




Document Processor

Automatically scans originals. Also you can perform duplex copying and split copying.

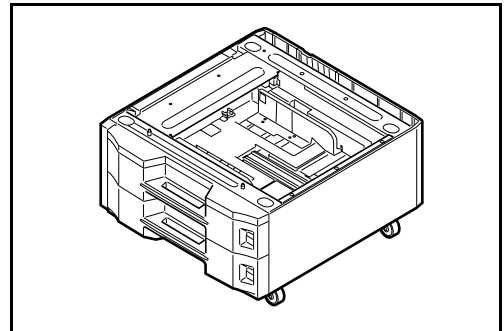
For document processor operation, refer to *Loading Originals in the Document Processor on page 2-49*.



Paper Feeder

Two additional cassettes identical to the printer's double cassettes can be installed in the printer. Paper capacity and loading method are the same as Cassettes 1 and 2. Refer to *Loading Paper in the Cassettes on page 2-35*.

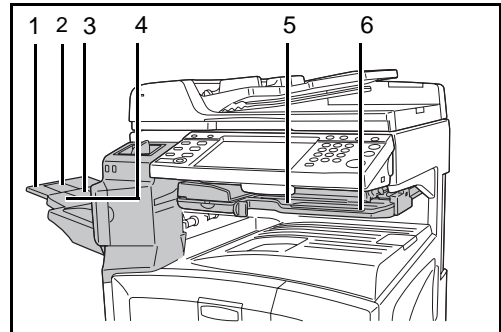
NOTE: Left cover 3 is located on the left side of the paper feeder for use in clearing paper jams.



Built-in Finisher

The built-in finisher holds a large quantity of finished prints. The finisher offers a convenient means of sorting. Sorted finished prints may also be stapled.

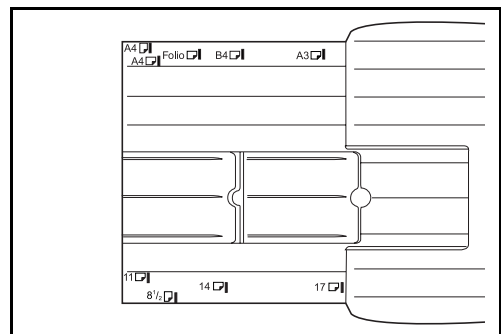
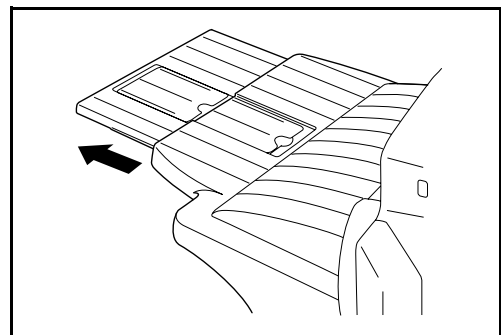
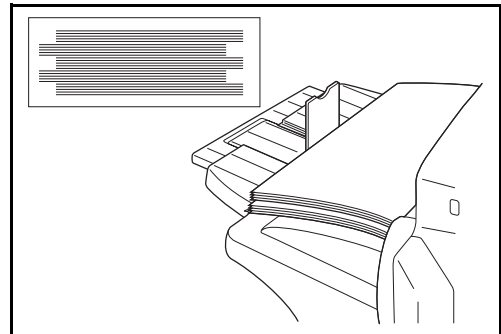
- 1 Ejected paper guide extension
- 2 Ejected paper guide 1
- 3 Ejected paper guide 2
- 4 Finisher Tray
- 5 Process Table
- 6 Finisher tray extension



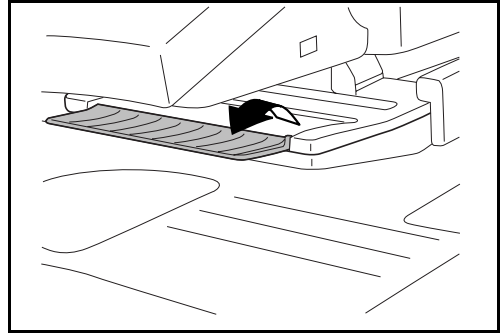
4

NOTE:

- Sorted copies are delivered onto the finisher tray.
- Adjust the finisher tray extension to match the paper size.
- The paper sizes are marked on the finisher tray extension. Open ejected paper guides 1 and 2 as necessary to match the paper size.

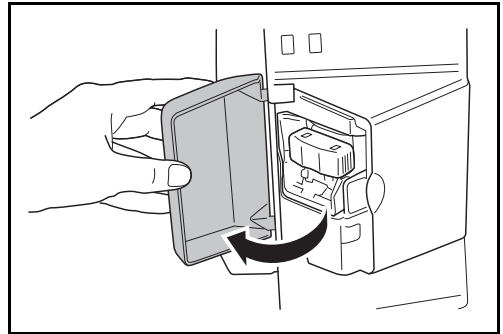


- When stapling 11 × 17", 5 1/2 × 8 1/2", A3 or B4 paper, open the finisher tray extension to ensure that the paper does not fall out of the tray.

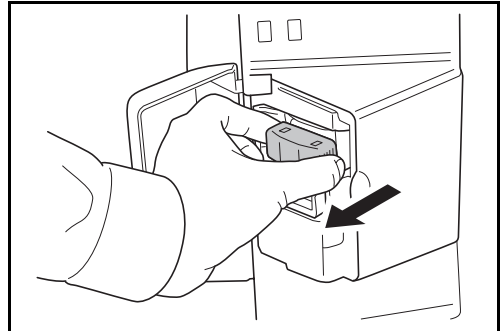


Adding Staples

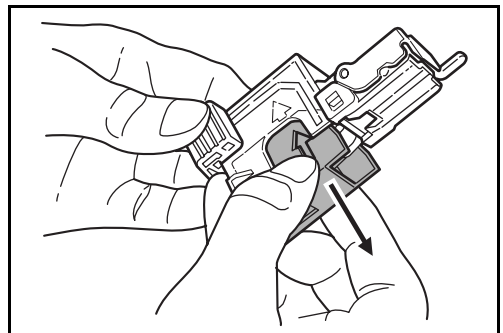
- 1** Pull to open the stapler front cover.



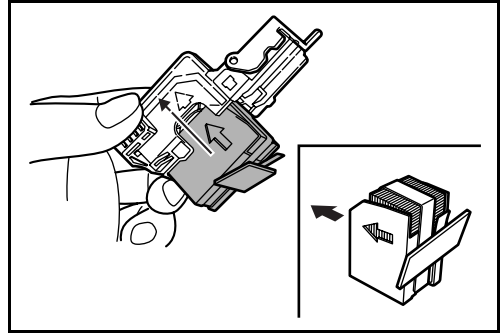
- 2** Pull out the staple holder.



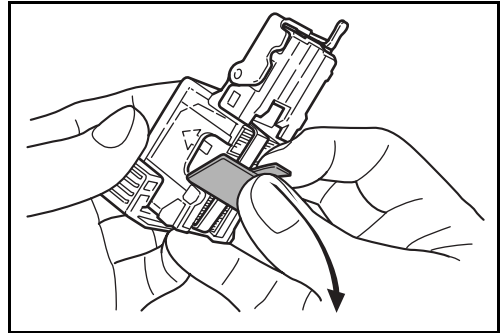
- 3** Remove the empty staple case from the staple holder.



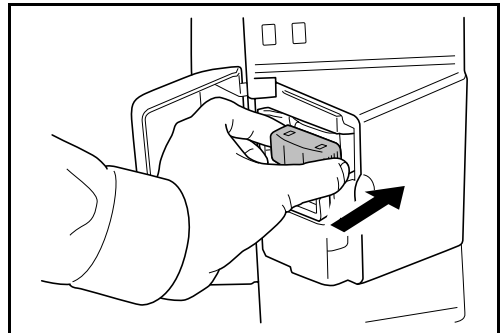
- 4** Holding the staple holder in your left hand and a new staple case in your right hand, insert the staple case into the staple holder in the direction of the arrow.



- 5** Insert the staple case fully as far as it will go. Pull to remove the paper tape wound on the staple case.

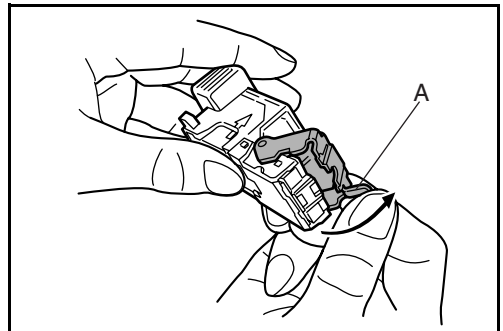


- 6** Insert the staple holder into the slot of the staple unit again. When fully inserted, the staple holder locks with a clicking sound.

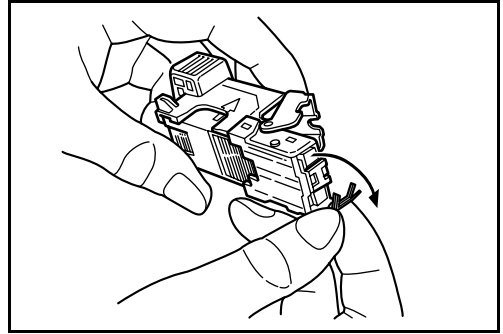


Clearing Staple Jams

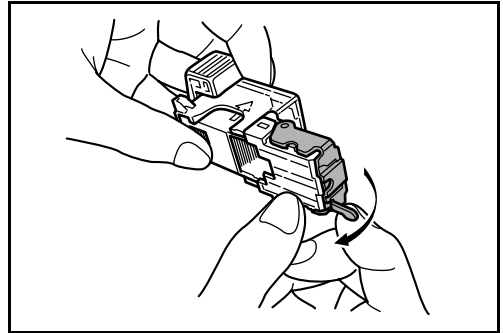
- 1** Pull out the staple holder referring to steps 1 and 2 of *Adding Staples*.
- 2** Holding the knob A on the face plate of the staple holder, lift the face plate.



- 3** Clear the staple jammed in the cartridge end (staple-loaded side).



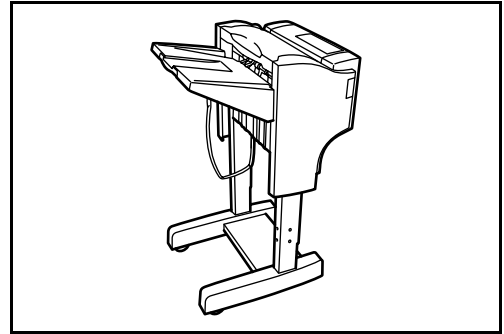
- 4** Lower the face plate of the staple holder.



- 5** Insert the face plate back in place. When fully inserted, the face plate locks with a clicking sound.
- 6** After lifting the staple unit slightly, lower it and insert it again into its place.
- 7** Close the stapler front cover.

Document Finisher

The document finisher holds a large quantity of finished copies. The finisher offers a convenient means of sorting. Sorted finished copies may also be stapled. For further details, refer to *the document finisher Operation Guide*.

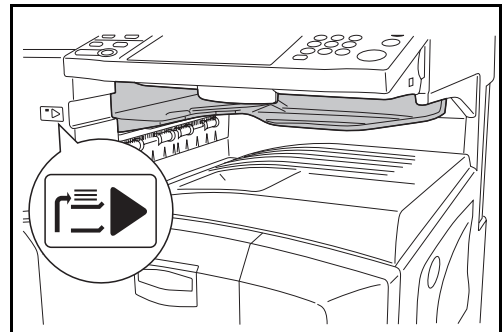


4

Job Separator

Separate paper according to output tray for easier sorting. Specify as the output tray for copy or print jobs. Or, specify as the default output tray for printing from the copy or Document Box screen, printing from the PC, and printing of the received fax data.

There is a paper indicator in the front of the machine that shows whether there is paper in the Job Separator.

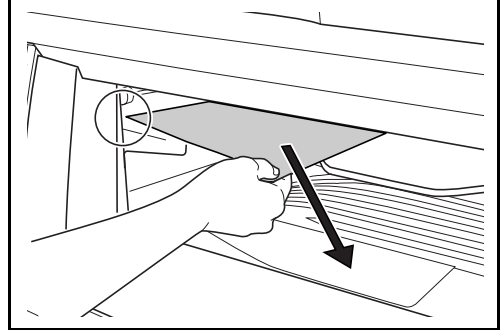


CAUTION: Note that some paper types have a tendency to curl and may jam in the paper eject unit.

If the ejected paper slips or stacks unevenly, turn the paper in the cassette over and try again.

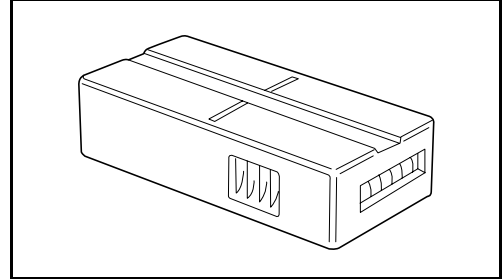
NOTE:

- To ensure that paper is delivered to the Job Separator, select the output destination or change the default setting. (For details, refer to *Chapter 1 Output Destination* and *Chapter 6 Output Tray* in the *Advanced Operation Guide*.)
- When removing paper from the Job Separator, pull it out at an angle to avoid catching the corners of the paper.



Key Counter

Use the key counter to monitor machine usage. The key counter offers a convenient solution for centralized management of copy volume for different departments in a large company.

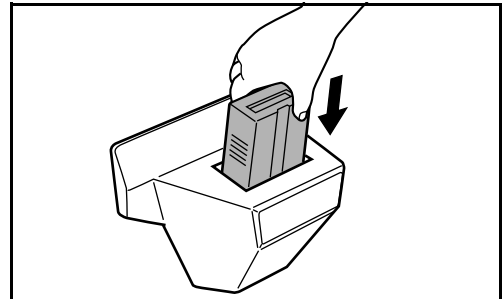


4

Inserting the Key Counter

Insert the key counter securely into the key counter slot.

NOTE: When the key counter function is activated, copies can only be made when a key counter is inserted. If the key counter is not inserted, *Insert key counter.* will be displayed.



FAX Kit

By installing the FAX kit, fax send/receive is enabled. Also, it is possible to use it as a network fax, by using it with a computer. When two FAX kits are installed, the units can be connected to two different telephone lines which will enable quicker message transmission to a number of recipients. If one of the lines is dedicated to receiving, the busy line time can be reduced. For further details, refer to *Fax Kit Operation Guide*.

Data Backup Kit

A microchip card for storing fax reception data and job accounting data. Installation and removal of the card is performed by our service representative.

Refer to *Fax Kit Operation Guide*. for the fax reception data to be stored for backup.

Security Kit (USB Key)

This machine functions by temporarily storing scanned data on an internal hard disk. After being output, this data is not accessible from the operation panel, but a record of the data remains on the hard disk until it is overwritten by other data. Thus, the data could conceivably be retrieved by accessing the hard disk using specialized tools.

For greater security, the security kit prevents this by overwriting all unnecessary data in the storage area of the hard disk so that it cannot be retrieved.

PDF Upgrade Kit (USB Key)

When saving scanned originals as PDF files, enables the creation of high compression PDF files and PDF encryption.

Use PDF file encryption to customize password-based privilege access.

5 Maintenance

This chapter describes cleaning and toner replacement.

- Cleaning 5-2
- Toner Container and Waste Toner Box Replacement .. 5-7

Cleaning

Clean the machine regularly to ensure optimum output quality.



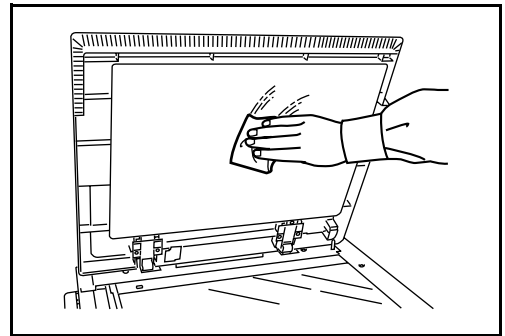
CAUTION: For safety, always unplug the power cord before cleaning the machine.

Original Cover / Glass Platen

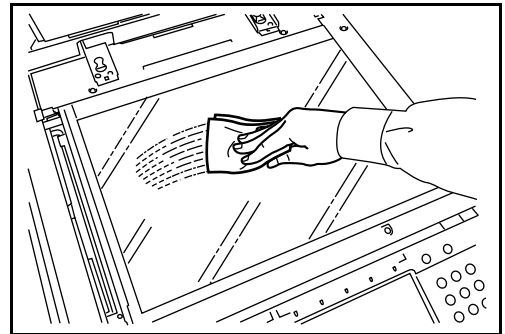
Wipe the backside of the original cover, the inside of the document processor and the glass platen with a soft cloth dampened with alcohol or mild detergent.

IMPORTANT: Do not use thinner or other organic solvents.

Original Cover

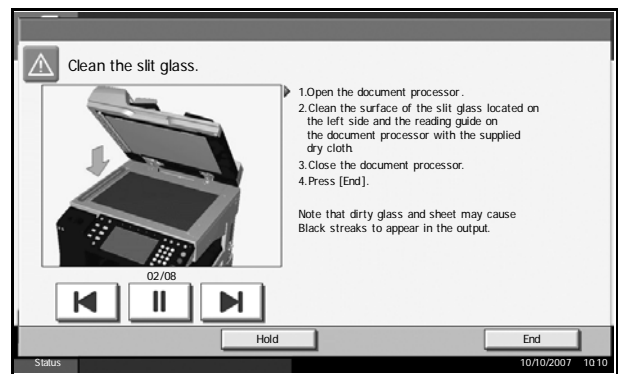


Glass Platen



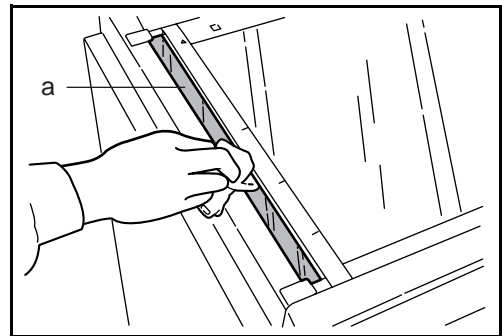
Slit Glass

If black streaks or dirt appears in copies when using the optional document processor, clean the slit glass with the supplied cleaning cloth. The message *Clean the slit glass* may be displayed if the slit glass requires cleaning.

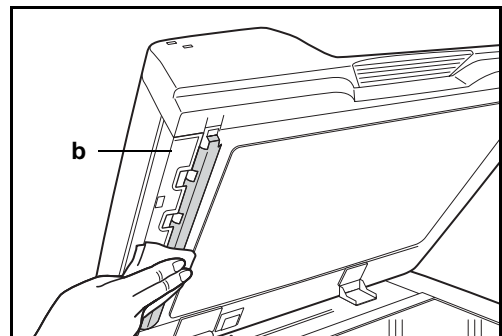


IMPORTANT: Lightly wipe the slit glass with a dry cloth. To remove adhesive material or ink, apply alcohol to a cloth and wipe lightly. Do not use water, thinner, or organic solvents.

- 1 Remove the cloth from the cleaning cloth compartment.
- 2 Open the document processor and wipe the slit glass (a).



- 3 Wipe the white guide (b) on the document processor.

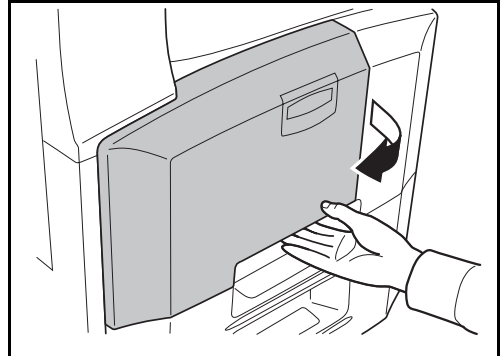


- 4 Press [End].

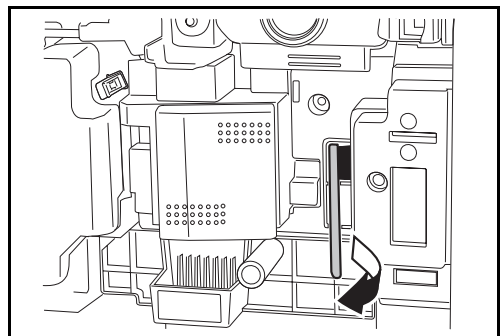
Separator

Clean the separator regularly (at least monthly) to ensure optimum output quality.

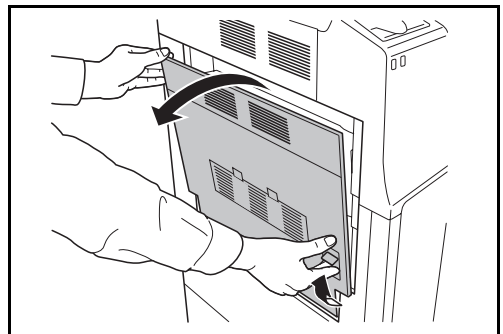
- 1** Open the front cover.



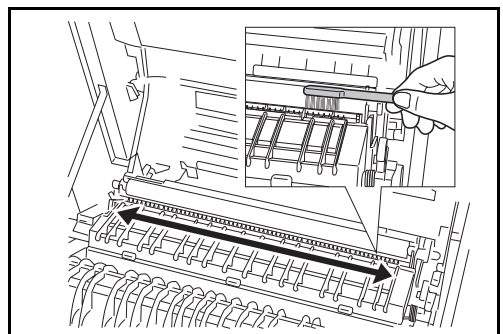
- 2** Remove cleaning brush (blue colored).



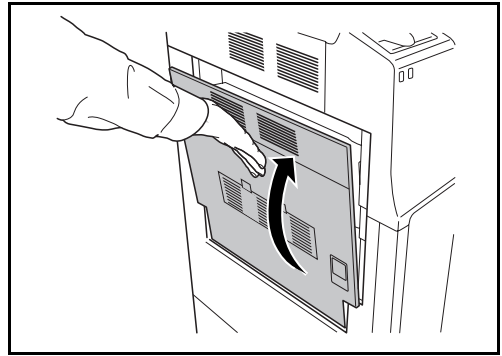
- 3** Pull up and open left cover 1.



- 4** As shown in the figure, clean dirt from the separator by moving the brush from side to side along the separator.

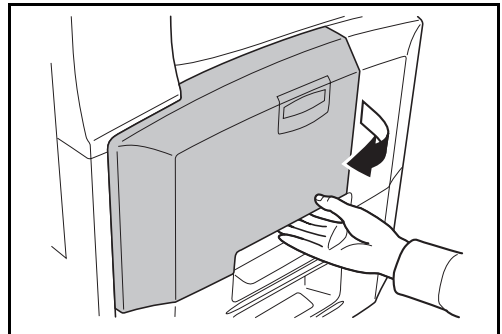


- 5** Put away the cleaning brush, press the specified position of the front cover and left cover 1 to close.

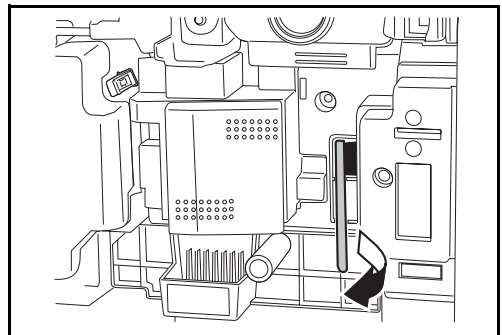


Transfer Roller

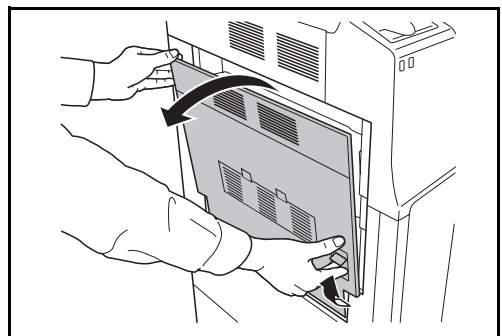
- 1** Open the front cover.



- 2** Remove the cleaning brush (blue colored).

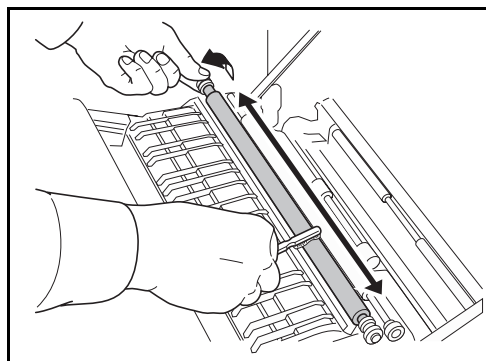


- 3** Pull up and open left cover 1.

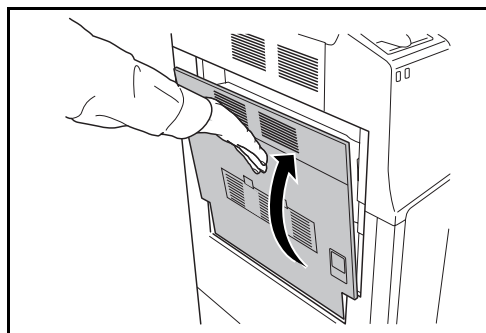


5

- 4** As shown in the figure, clean dirt from the transfer roller by moving the brush from side to side along the roller while rotating the roller by turning the gear at the left end of the roller.



- 5** Put away the cleaning brush, press the specified position of the front cover and left cover 1 to close.



Toner Container and Waste Toner Box Replacement

When the touch panel displays *Add toner*, replace the toner without delay even if several more copies are still possible. When replacing the toner container, replace the waste toner box as well.

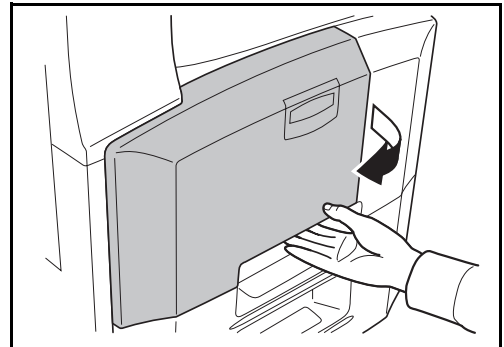
Every time you replace the toner container, be sure to clean the parts as instructed below. Dirty parts may deteriorate output quality.

IMPORTANT: For best results, we recommend that you only use genuine Parts and Supplies. Using other Parts and Supplies could damage the machine or cause poor image quality.

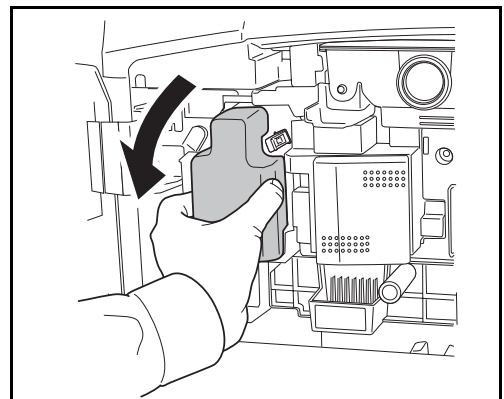
! **CAUTION:** Do not attempt to incinerate the toner container or the waste toner box. Dangerous sparks may cause burns.

! **CAUTION:** Do not attempt to force open or destroy the toner container or the waste toner box.

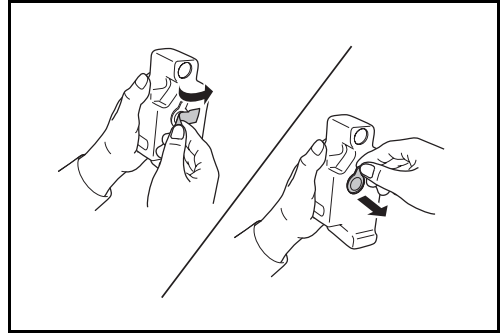
- 1 Open the front cover.



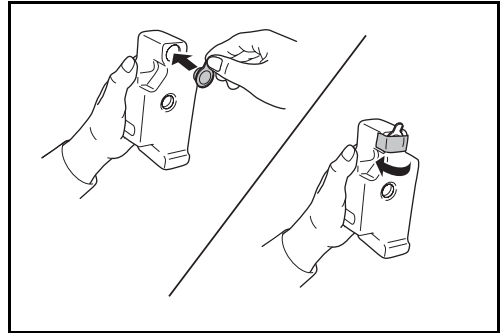
- 2 Remove the waste toner box.



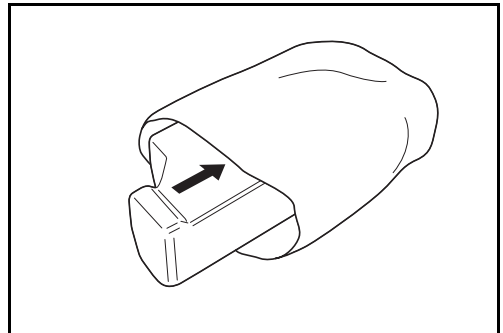
- 3** Peel the sticker off the waste toner box and remove the cap.



- 4** Fit the cap into the opening in the waste toner box and attach the sticker over the cap.



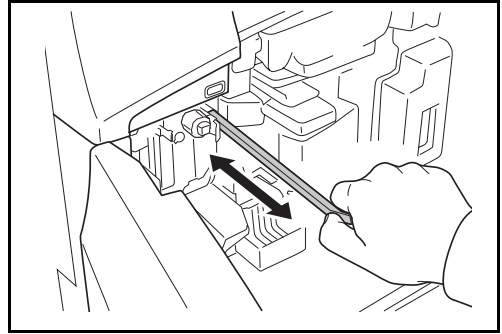
- 5** Place the used waste toner box in the provided plastic disposal bag.



! **CAUTION:** Do not attempt to incinerate the toner container or the waste toner box. Dangerous sparks may cause burns.

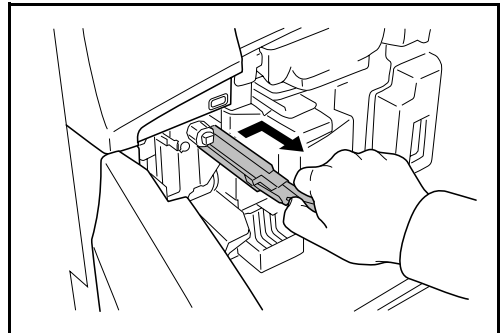
! **CAUTION:** Do not attempt to force open or destroy the toner container or the waste toner box.

- 6** Grip the cleaner rod and slowly pull it out as far as it will go. Then push it back in. Repeat this procedure 2 or 3 times.

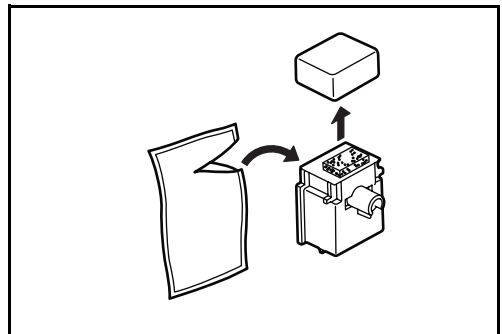


! **CAUTION:** Do not pull strongly on the rod or pull it out completely.

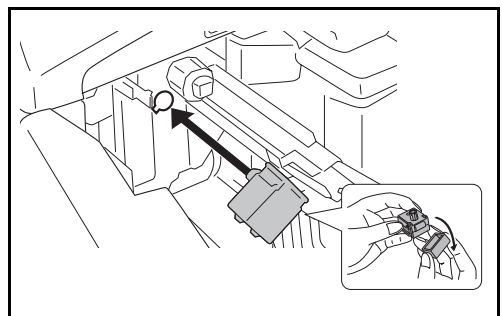
- 7** Shift the main charger to the right and pull it out about 5 cm.



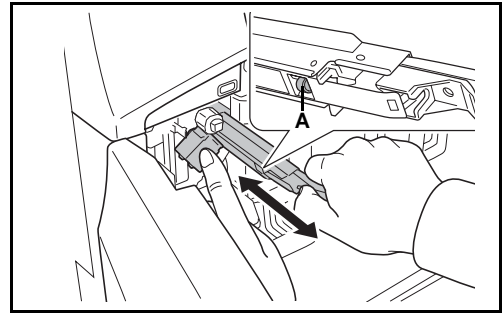
- 8** Take the grid cleaner provided out of its bag and remove the cap.



- 9** Align the grid cleaner with the notch and attach it to the machine.

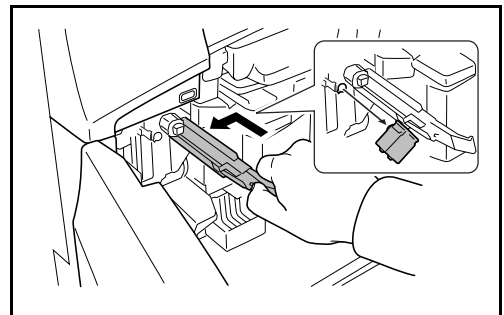


- 10** While gently holding the grid cleaner in place with your left hand, pull the main charger out fully and then push it back to a position where the roller **A** does not quite reach the white pad on the grid cleaner. Repeat this procedure 2 or 3 times.

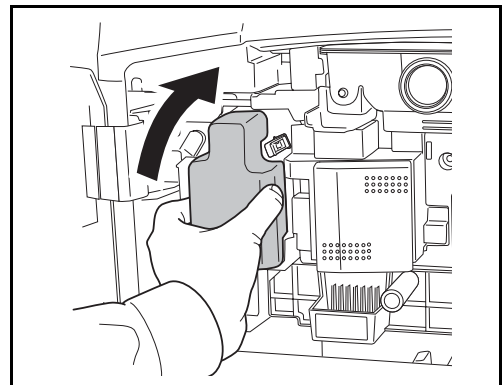


CAUTION: When pushing the main charger back in, take care not to push it all the way in. This could result in damage to copies.

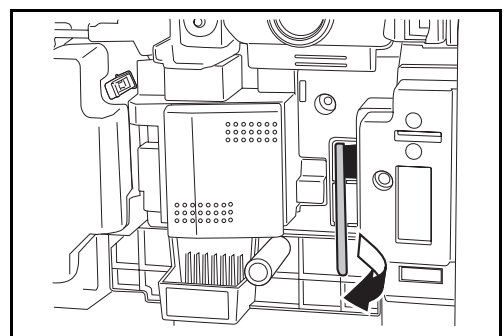
- 11** With the main charger pulled out about 5 cm (2 inches), remove the grid cleaner. Then push the main charger back in fully, applying pressure in the direction shown by the arrow so that the main charger is in its designated position.



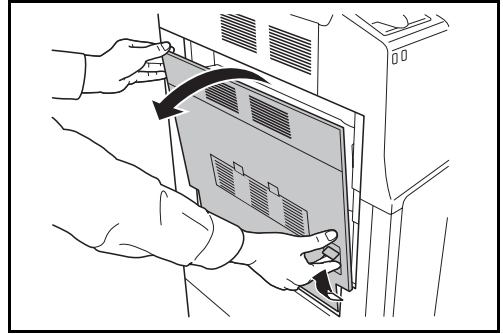
- 12** Install a new waste toner box.



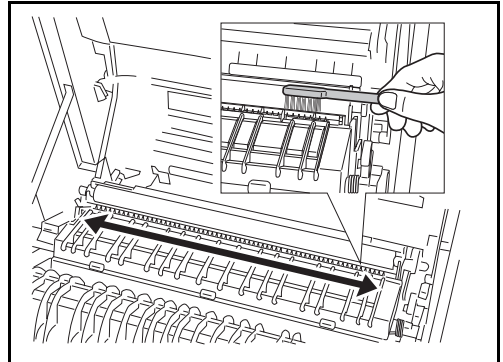
- 13** Remove cleaning brush (blue colored).



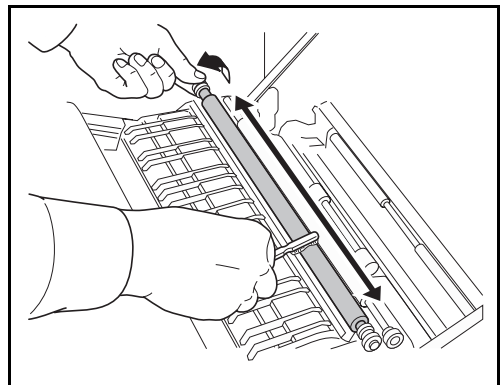
- 14** Pull up left cover 1 lever and open left cover 1.



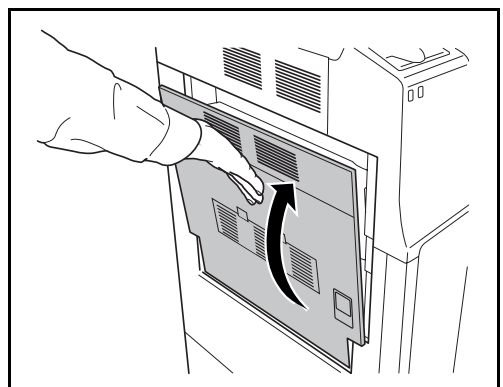
- 15** As shown in the figure, clean off any soiling on the separator by running the brush from side to side along the separator.



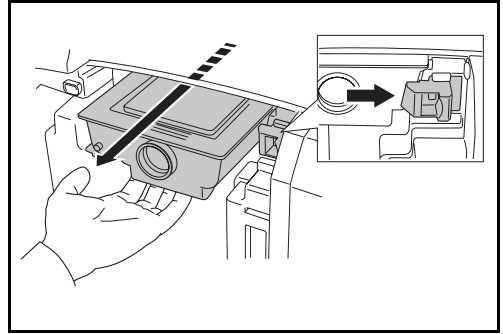
- 16** As shown in the figure, clean off any soiling on the transfer roller by moving the brush from side to side along the roller while rotating the roller by turning the gear at the left end of the roller.



- 17** After completing the cleaning, replace the cleaning brush and close left cover 1.



- 18** Push the toner container stopper to the right and pull out the old toner container.

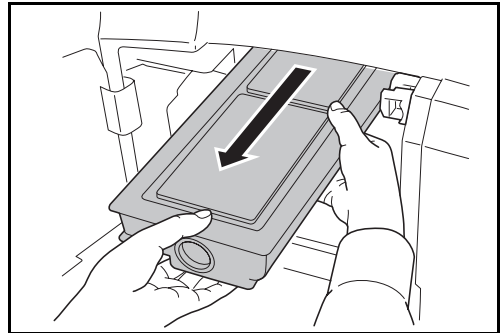


WARNING: High voltage parts inside. Handle with care because there is a danger of electric shock.

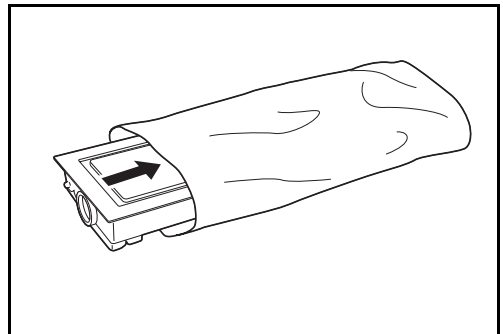


CAUTION: Do not pull the toner container out completely as it could drop onto the floor.

- 19** Hold the toner container in both hands and slowly remove it.

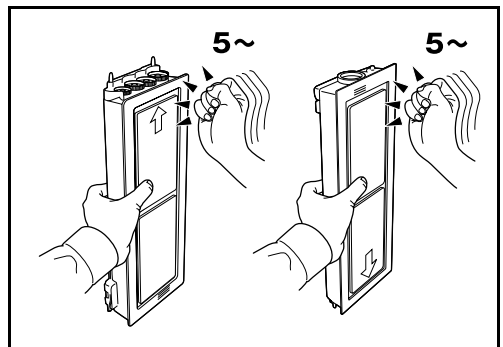


- 20** Place the used toner container in the provided plastic disposal bag.



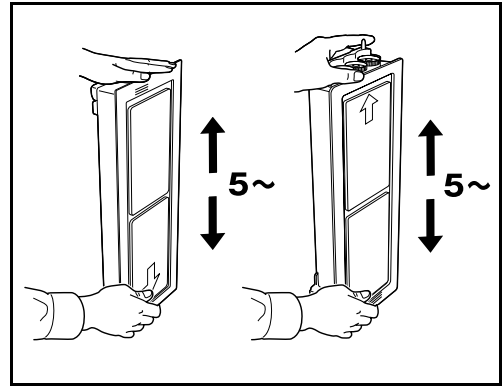
- 21** Unwrap a new toner container and hold the new toner container upright and tap the top of the container 5 or more times.

Then turn the container the other way up and again tap the top of the container 5 or more times.

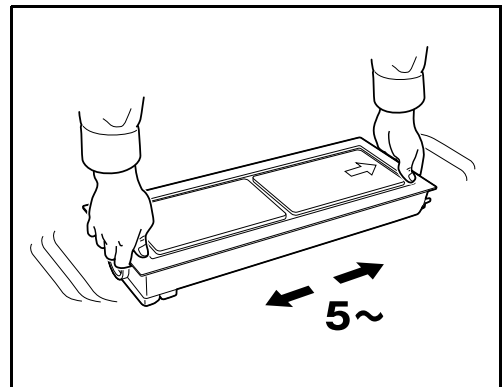


- 22** Then shake the toner container up and down 5 or more times.

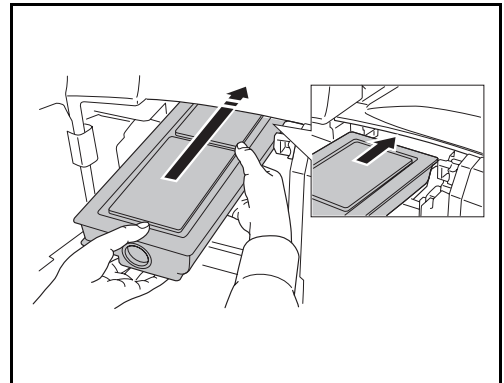
Turn the toner container over and shake it another 5 or more times.



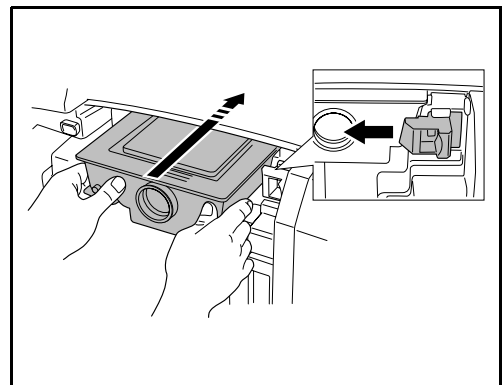
- 23** Shake the toner container from side to side 5 or more times so that the toner inside the container is distributed evenly.



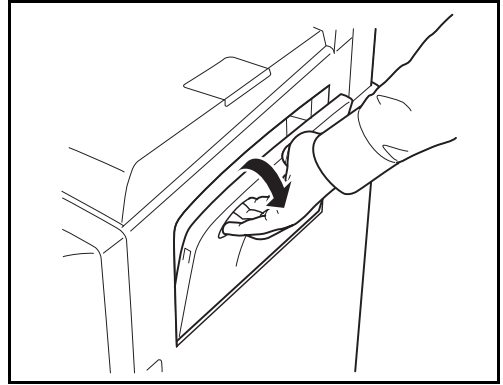
- 24** Hold the new toner container in both hands and gently push it into the machine.



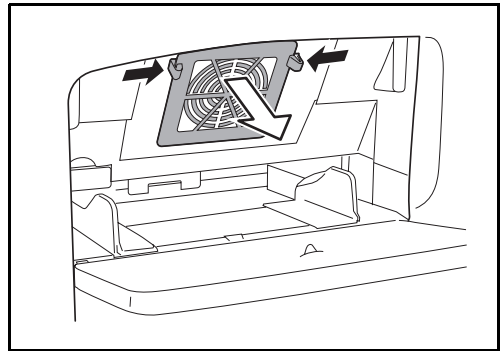
- 25** Using both hands, push in the toner container until it is locked.



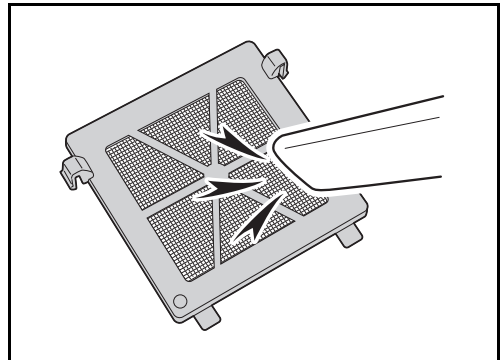
- 26** Open the Multi Purpose tray.



- 27** Remove the filter.



- 28** Remove dust from the filter using a vacuum cleaner or dry cloth.



IMPORTANT: Do not wash the filter with water. Do not use the attached cleaning brush.

- 29** Put the filter back in place and close the Multi Purpose tray.
- 30** Close the front cover.
- 31** *When Replaced the toner container?* appears, press [Yes].

- 32** *When Cleaned the main charger?* appears, press [Yes].
Adjustment begins. Wait 5 minutes.

NOTE: Return the exhausted toner container and waste toner box to your dealer or service representative. The collected toner container and waste toner box will be recycled or disposed in accordance with the relevant regulations.

6 Troubleshooting

This chapter explains how to solve problems with the machine.

- Solving Malfunctions 6-2
- Responding to Error Messages..... 6-5
- Clearing Paper Jams..... 6-12

Solving Malfunctions

The table below provides general guidelines for problem solving.

If a problem occurs with your machine, look into the checkpoints and perform procedures indicated on the following pages. If the problem persists, contact your Service Representative.

Symptom	Checkpoints	Corrective Actions	Reference Page
The operation panel does not respond when the main power switch is turned on.	Is the machine plugged in?	Plug the power cord into an AC outlet.	—
Pressing the Start key does not produce copies.	Is there a message on the touch panel?	Determine appropriate response to the message and respond accordingly.	6-5
Blank sheets are ejected.	Are the originals loaded correctly?	When placing originals on the platen, place them face-down and align them with the original size indicator plates.	2-47
		When placing originals in the optional document processor, place them face-up.	2-49
Printouts are too light.	Is the machine in Auto Density mode?	Set the correct density level for auto density.	—
	Is the machine in Manual Density mode?	Use [Image Quality] to set the correct density level.	3-12
		When changing the default density level, adjust the density manually and choose the desired level.	—
	Is the toner distributed evenly within the toner container?	Shake the toner container from side to side about 5 times.	5-7
	Is there a message indicating the addition of toner?	Replace the toner container.	5-7
	Is the paper damp?	Replace the paper with new paper.	2-47
Printouts are too dark.	Is the machine in Auto Density mode?	Set the correct density level for auto density.	—
	Is the machine in Manual Density mode?	Use [Image Quality] to set the correct density level.	3-12
		When changing the default density level, adjust the density manually and choose the desired level.	—
Printouts are not clear.	Did you choose appropriate image quality for the original?	Select appropriate image quality.	3-12

Symptom	Checkpoints	Corrective Actions	Reference Page
Printouts are dirty.	Is the platen or the document processor dirty?	Clean the platen or the document processor.	5-2
	Is the transfer roller dirty?	Brush the transfer roller clean.	5-5
Images are skewed.	Are the originals placed correctly?	When placing originals on the platen, align them with the original size indicator plates.	2-49
		When placing originals in the optional document processor, align the original width guides securely before placing the originals.	2-49
	Is the paper loaded correctly?	Check the position of the paper width guides.	2-50
Paper often jams.	Is the paper loaded correctly?	Load the paper correctly.	2-35
	Is the paper of the supported type? Is it in good condition?	Remove the paper, turn it over, and reload it.	2-35
	Is the paper curled, folded or wrinkled?	Replace the paper with new paper.	2-35
	Are there any loose scraps or jammed paper in the machine?	Remove any jammed paper.	6-12
Printouts from the document processor have black lines.	Is the slit glass dirty?	Clean the slit glass.	5-3
Printouts are wrinkled.	Is the paper separator of the paper feed unit dirty?	Clean the paper separator.	5-4
Cannot print.	Is the machine plugged in?	Plug the power cord into an AC outlet.	—
	Is the machine powered on?	Turn on the main power switch.	3-2
	Is the printer cable connected?	Connect the correct printer cable securely.	2-3
	Was the machine powered on before the printer cable was connected?	Power on the machine after connecting the printer cable.	2-3
	Is <i>Press Status Key...</i> displayed at the top of the screen?	Press the Status/Job Cancel key, [Printing Jobs], and then [Resume All Print Jobs] to restart printing.	—
Documents are printed improperly.	Are the application software settings at the PC set properly?	Check that the printer driver and application software settings are set properly.	—

Symptom	Checkpoints	Corrective Actions	Reference Page
While the operation panel was being used, the keys locked up and do not respond when pressed.	Is the operation panel locked?	Check the panel lock setting in EWS (Embedded Web Server) and change the setting if necessary.	EWS (Embedded Web Server) Operatio Guide
Cannot display a preview.	Have you selected high compression PDF for the file format?	Select a file format other than high compression PDF.	—
Cannot print with USB memory.	Was the USB memory formatted with a machine other than this machine?	Format the USB memory with this machine.	3-56

Responding to Error Messages

If the touch panel displays any of these messages, follow the corresponding procedure.

Alphanumeric

Error Message	Checkpoints	Corrective Actions	Reference Page
Acceptable staple count exceeded.	Is the acceptable staple count exceeded? For details, refer to <i>Specifications on page Appendix-9,10,11.</i>	Press [Continue] to print without stapling. Press [Cancel] to cancel the job.	—
Add paper in cassette 1.	Is the indicated cassette out of paper?	Load paper.	2-34
Add paper in Multi Purpose tray.	Is the paper of the selected size loaded in the Multi Purpose Tray?	Load the paper in the Multi Purpose Tray which is of the size and type indicated on the touch panel.	2-38
Add staples.	Has any of the built-in finisher or document finisher run out of staples?	If the staples are depleted, the machine will stop and the location of staple depletion will be indicated on the touch panel. Leave the machine on and follow the instruction to replace the staple case. Press [Continue] to print without stapling. Press [Cancel] to cancel the job.	4-6
Add toner.	—	Replace the toner container.	5-7
An error has occurred.	—	Internal error has occurred. Turn the main power switch off and on. If error occurs repeatedly, make a note of the error code displayed on the touch panel, and contact your Service Representative.	—
Box limit exceeded.	—	Document box is full, and no further storage is available; the job is canceled. Press [End].	—
	—	Repeat Copy box is full, and no further repeat copy is available. Press [Continue] to print without using Repeat Copy. Press [Cancel] to cancel the job.	—

Error Message	Checkpoints	Corrective Actions	Reference Page
Cannot connect to Authentication Server.	—	Press [End] and check the following items: <ul style="list-style-type: none"> • Registration to Authentication Serve • Password and computer address for Authentication Server • Connection of Network 	—
Cannot duplex print this paper type.	Did you select a paper size/ media type that cannot be duplex printed?	Select the available paper size/media type. Press [Continue] to print without duplex printing.	3-16
Cannot execute this job.	—	This job is canceled because it is restricted by Job Accounting. Press [End].	—
Cannot offset this paper type.	Did you select a paper size (A3, B4, A5-R, B6-R, Folio, Ledger, Statement and 8K) that cannot be offset?	Select the available paper size. Press [Continue] to print without using Offset.	3-19
Cannot staple this paper type.	Did you select a paper size/ type that cannot be stapled?	Select the available paper size/type. Press [Continue] to print without using Staple.	—
Check the cover.	Is there any cover which is open?	Close the cover indicated on the touch panel.	—
Check the document processor.	Is the document processor open?	Close the document processor.	—
	Is the top cover of the document processor open?	Close the top cover of the document processor.	6-25
Check the finisher.	Is the built-in finisher or the document finisher set correctly?	Set the built-in finisher or the document finisher correctly. For details, refer to <i>the respective Operation Guides</i> .	—
	Is the built-in finisher tray set correctly?	Set the built-in finisher tray correctly.	—
Clean the slit glass.	—	Clean the slit glass using the attached cleaning cloth.	5-3
Failed to specify Job Accounting.	—	The job is canceled. Press [End].	—
Failed to store job retention data.	—	The job is canceled. Press [End].	—

Error Message	Checkpoints	Corrective Actions	Reference Page
FAX box limit exceeded.	—	FAX box is full, and no further storage is available. The job is canceled. Press [End].	—
Finisher tray is full of paper.	Is the acceptable storage capacity exceeded for the document finisher tray?	Remove paper from the document finisher tray. If printing can be restarted, the touch panel display will prompt you to press [Continue]. Then press [Continue].	—
Hard Disk error. Job is canceled. Press [End]. ##	—	An error has occurred on the hard disk. The possible error codes and their descriptions are as follows. 01: Initialization error. Initialize the hard disk. 04: Insufficient space on the hard disk to complete this operation. Move or delete data stored on the hard disk to increase available space.	—
Incorrect Login User Name or Password.	—	Enter correct login user name or password.	—
Job Accounting restriction exceeded.	Is the acceptable printing count restricted by Job Accounting exceeded?	The printing count exceeded the acceptable count restricted by Job Accounting. Cannot print any more. This job is canceled. Press [End].	—
Job separator is full of paper.	Is the maximum capacity of the job separator exceeded?	Take some paper out of the job separator. Printing then resumes.	—
KPDLE error.	—	PostScript error has occurred. The job is canceled. Press [End].	—
Memory card error.	—	Memory card was removed while being accessed. Insert the memory card.	—
		An invalid memory card is inserted. Insert the correct memory card.	—
Memory card error. Job is canceled. Press [End]. ##	—	An error has occurred on the memory card. The possible error codes and their descriptions are as follows. 01: Format error. Format the memory card again. 04: Insufficient space on the memory card to complete this operation. Move or delete data stored on the memory card to increase available space.	—

Error Message	Checkpoints	Corrective Actions	Reference Page
Memory is full.	—	Unable to continue the job as the memory is used up. Press [Continue] to print the scanned pages. The print job cannot be processed completely. Press [Cancel] to cancel the job.	—
Paper jam.	—	If a paper jam occurs, the machine will stop and the location of the jam will be indicated on the touch panel. Leave the machine on and follow the instruction to remove the jammed paper.	6-12
Print overrun.	—	Warning. Low printer memory. The job is paused. Press [Continue] to resume the job.	—
Removable memory error.	—	This job is canceled. Press [End].	—
Removable Memory is removed.	—	Press [End].	—
Replace all originals and press [Continue].	—	Remove originals from the document processor, put them back in their original order, and place them again. Press [Continue] to resume printing. Press [Cancel] to cancel the job.	2-49
Replace the waste toner box.	—	The waste toner box is full. Replace the waste toner box.	5-7
Reset all originals in Document processor.	Are there any originals left in the document processor?	Remove originals from the document processor.	—
Scanner memory is full.	—	Scanning cannot be performed due to insufficient memory of scanner. The job is canceled. Press [End].	—
	Is the acceptable scanning count exceeded?	Press [Continue] to print, send or store the scanned pages. Press [Cancel] to cancel printing, sending or storing.	—

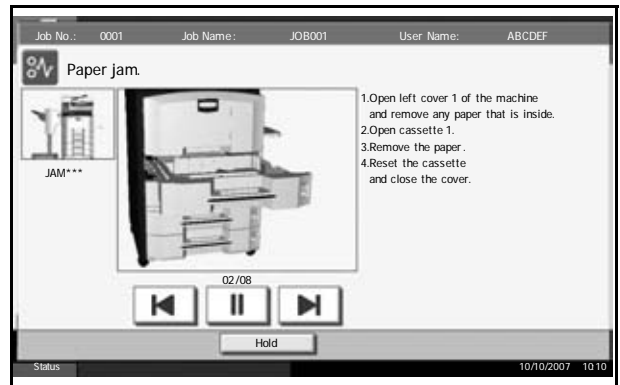
Error Message	Checkpoints	Corrective Actions	Reference Page
<p>Send error. Job is canceled. Press [End]. ####</p>	<p>—</p>	<p>An error has occurred during transmission. The possible error codes and their descriptions are as follows.</p> <p>1101: The server name of the SMTP server is not set correctly or the host name is incorrect when sending scan data to an FTP server. Use EWS (Embedded Web Server) and register the SMTP server name and the host name correctly.</p> <p>1102: The login user name is incorrect or the domain name has not been entered. Enter login user name, domain name and password correctly.</p> <p>1103: The network path name is incorrect or you do not have access to the folder specified. Use EWS (Embedded Web Server) and register the path name correctly.</p> <p>1104: No recipient address. Enter E-mail address correctly.</p> <p>1105: E-mail - The SMTP protocol setting is turned off. Use EWS (Embedded Web Server) and turn on the SMTP protocol setting.</p> <p>Scan to PC (SMB) - SMB setting is turned off. Use EWS (Embedded Web Server) and turn on the SMB setting.</p> <p>Scan to PC (FTP) - FTP setting is turned off. Use EWS (Embedded Web Server) and turn on the FTP setting.</p> <p>1106: The sender address setting under E-mail: SMTP is not registered. Use EWS (Embedded Web Server) and register the sender address.</p> <p>2101, 2102, 2103, 2201, 2202, 2203, 3101: The network cable is disconnected or the hub that it is connected to is not operating properly. Check the cable and the hub. Otherwise, the server name or the host name of the SMTP server is not set correctly. Use EWS (Embedded Web Server) and register the SMTP server name and the host name correctly.</p>	<p>2-15</p> <p>—</p> <p>3-26</p> <p>3-27</p> <p>2-15</p> <p>2-15</p> <p>2-15</p>

Error Message	Checkpoints	Corrective Actions	Reference Page
<p>Send error. Job is canceled. Press [End]. ####</p>	<p>—</p>	<p>2204: The E-mail size exceeds the acceptable send data capacity. Decrease the size or resolution of the scanned data to be transmitted and resend the E-mail. 5101, 5102, 5103, 5104, 7102, 720f: Turn the main power switch off and back on. If this error occurs several times, make a note of the displayed error code and contact your service representative. (Refer to the corrective action for the error message “ An error has occurred.”) 9181: The scanned original exceeds the acceptable number of pages of 999. Send the excess pages separately.</p>	<p>— — —</p>
<p>Set the waste toner box.</p>	<p>—</p>	<p>The waste toner box is not installed correctly. Set it correctly.</p>	<p>5-7</p>
<p>Staple error.</p>	<p>—</p>	<p>If a staple error occurs, the machine will stop and the corrective action will be indicated on the touch panel. Leave the machine on and follow the instruction to take an appropriate action.</p>	<p>—</p>
<p>Staple jam.</p>	<p>—</p>	<p>If a staple jam occurs, the machine will stop and the location of the jam will be indicated on the touch panel. Leave the machine on and follow the instruction to remove the jammed staple.</p>	<p>4-7</p>
<p>The ID is not registered.</p>	<p>—</p>	<p>The Account ID does not match. Check the registered Account ID.</p>	<p>—</p>
<p>The memory card is not formatted.</p>	<p>Is the memory card formatted?</p>	<p>Format the memory card.</p>	<p>—</p>
<p>The phone receiver is off the hook.</p>	<p>—</p>	<p>Put down the receiver.</p>	<p>—</p>
<p>The removable memory is not formatted.</p>	<p>Is the removable memory formatted by this machine?</p>	<p>Use the removable memory formatted by this machine.</p>	<p>—</p>
<p>The source file is not found.</p>	<p>—</p>	<p>The specified file is not found. The job is canceled. Press [End].</p>	<p>—</p>

Error Message	Checkpoints	Corrective Actions	Reference Page
<p>Top tray of the machine is full of paper.</p>	<p>—</p>	<p>Remove paper from the top tray, and press [Continue] to resume the job.</p>	<p>—</p>
<p>Warning low memory.</p>	<p>—</p>	<p>Further scanning cannot be performed due to insufficient memory. Press [Continue] to print the scanned pages. Press [Cancel] to cancel the printing job.</p>	<p>—</p>

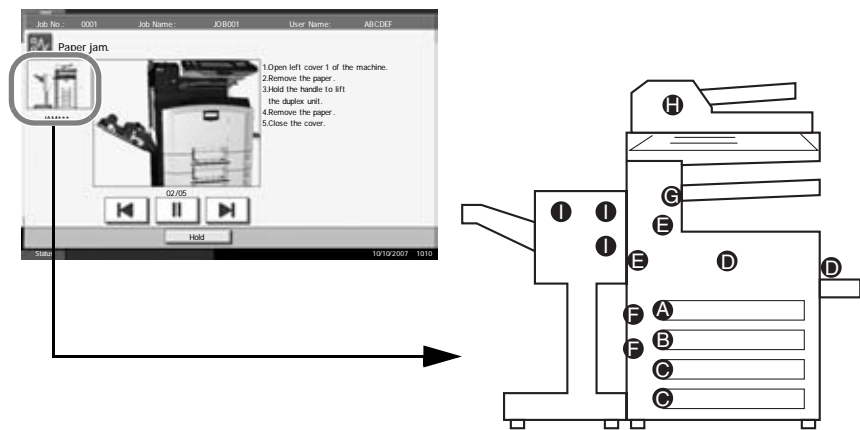
Clearing Paper Jams

If a paper jam occurs, the touch panel will display *Paper misfeed* and the machine will stop. Refer to these procedures to remove the jammed paper.



Jam Location Indicators

If a paper jam occurs, the location of the jam will be displayed as the following figure with a letter corresponding to the affected component in the machine. Clearing instructions will also be displayed.



Paper Jam Location Indicator	Paper Jam Location	Reference Page
A	Cassette 1	6-13
B	Cassette 2	6-15
C	Cassette 3 or 4 (Option)	6-16
D	Multi Purpose Tray	6-17
E	Duplex unit	6-18
F	Inside the left cover 1, 2 or 3	6-18
G	Built-in finisher (Option)	6-23

Paper Jam Location Indicator	Paper Jam Location	Reference Page
H	Document processor (Option)	6-25
I	Document finisher (Option)	6-26

After you remove the jam, the machine will warm up again and the error message will be cleared. The machine resumes with the page which jam has occurred.

Precautions with Paper Jams

- Do not reuse jammed papers.
- If the paper tears during removal, be sure to remove any loose scraps of paper from inside the machine. Scraps of paper left in the machine could cause subsequent jamming.
- Discard paper that has jammed in the optional document finisher. A page affected by a paper jam will be printed again.

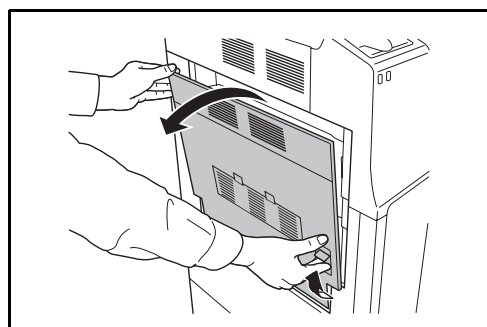
WARNING: High voltage is present in the charger section. Take sufficient care when working in this area, as there is a danger of electrical shock.

CAUTION: The fixing unit is extremely hot. Take sufficient care when working in this area, as there is a danger of getting burned.

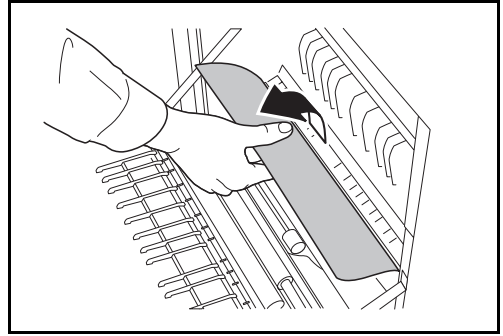
Cassette 1

Follow the steps below to clear paper jams in cassette 1.

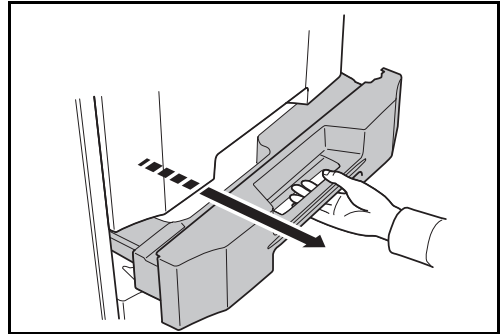
- 1 Pull up and open left cover 1.



- 2** Remove the jammed paper.

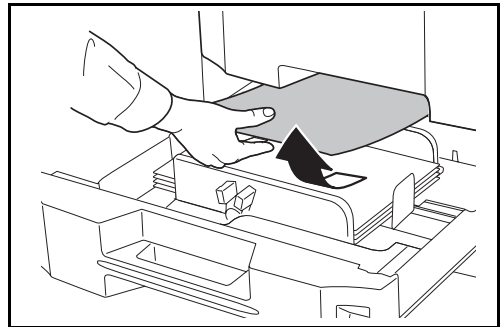


- 3** Pull out cassette 1.



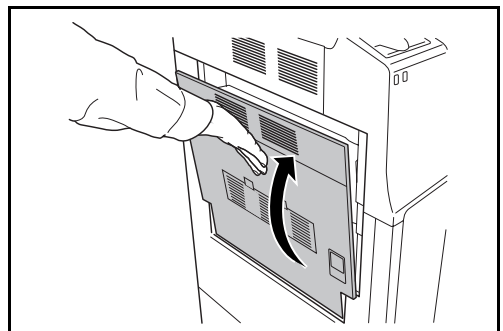
- 4** Remove the jammed paper.

If the paper tears, remove every loose scrap from inside the machine.



- 5** Push cassette 1 back in place securely.

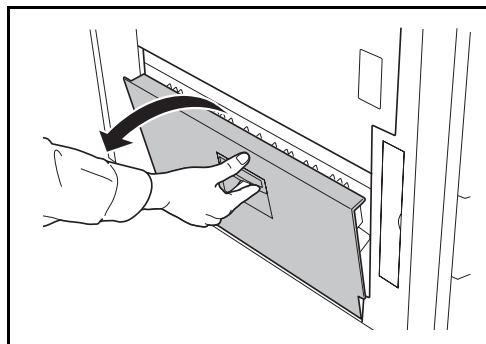
- 6** Press the specified position to close left cover 1.



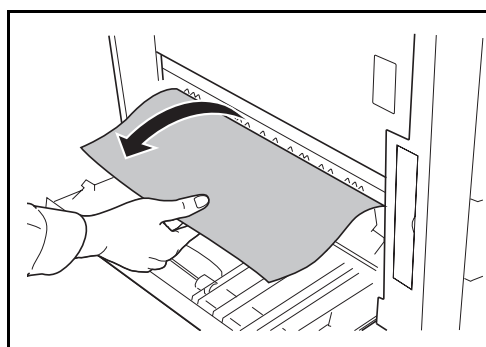
Cassette 2

Follow the steps below to clear paper jams in cassette 2.

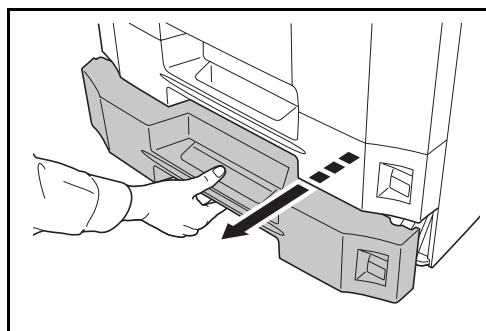
- 1** Open left cover 2.



- 2** Remove the jammed paper.

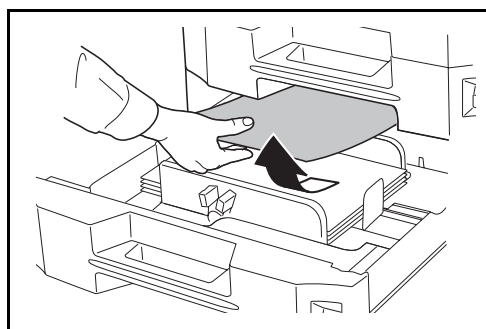


- 3** Pull out cassette 2.



- 4** Remove the jammed paper.

If the paper tears, remove every loose scrap from inside the machine.



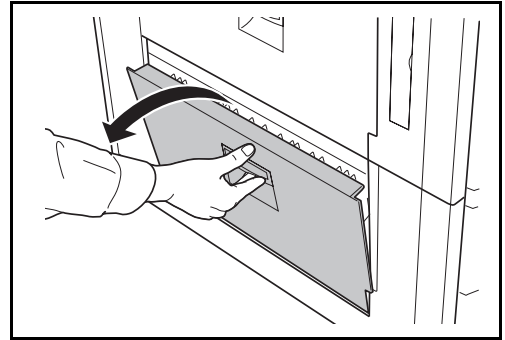
- 5** Push cassette 2 back in place securely.

- 6 Close left cover 2.

Optional Cassettes 3 and 4

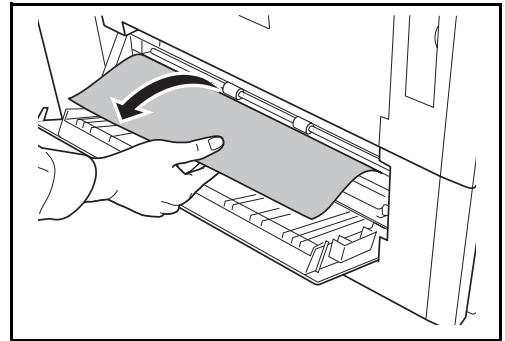
Follow the steps below to clear paper jams in cassettes 3 or 4 when using the optional paper feeder.

- 1 Open left cover 3.

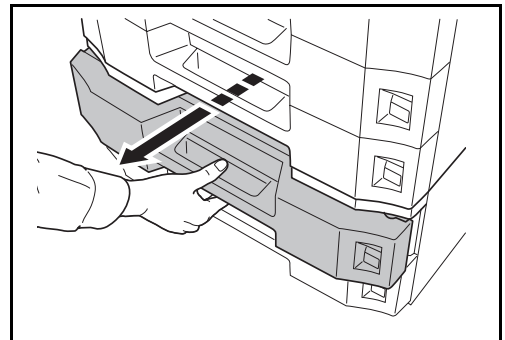


- 2 Remove the jammed paper.

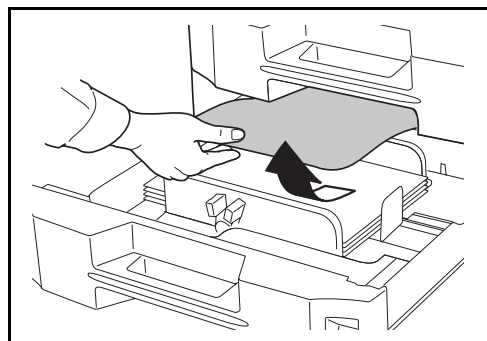
If the paper tears, remove every loose scrap from inside the machine.



- 3 Pull out the cassette in use.



- 4** Remove the jammed paper.



- 5** Push the cassette back in place securely.

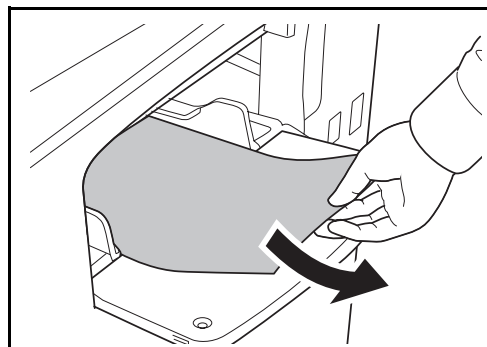
- 6** Close left cover 3.

Multi Purpose Tray

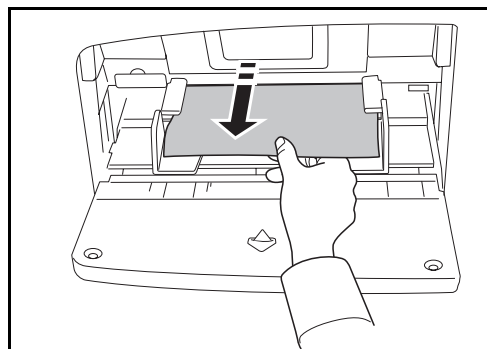
6

Follow the steps below to clear paper jams in the Multi Purpose Tray.

- 1** Remove all papers from the Multi Purpose Tray.



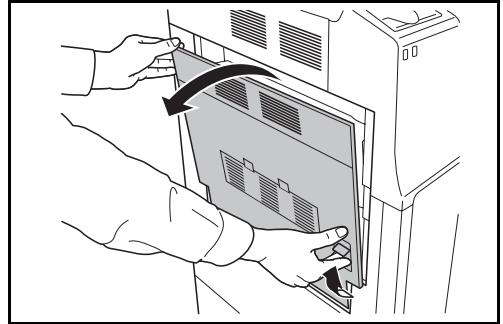
- 2** If paper is jammed inside, pull the paper toward you to remove.



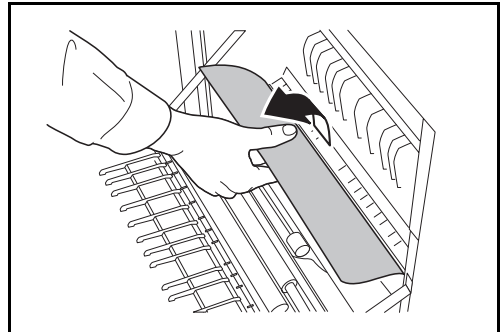
Inside the Left Covers 1, 2 and 3

Follow the steps below to clear paper jams inside left cover 1, 2 or 3 when using the optional paper feeder.

- 1** Open the left cover where the paper is jammed inside.



- 2** Remove the jammed paper.
If the paper tears, remove every loose scrap from inside the machine.

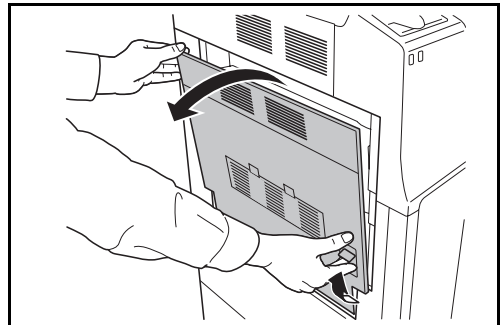


- 3** Close the left cover.

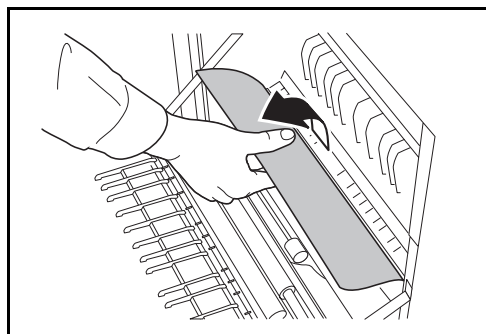
Duplex Unit

Follow the steps below to clear paper jams in the duplex unit.

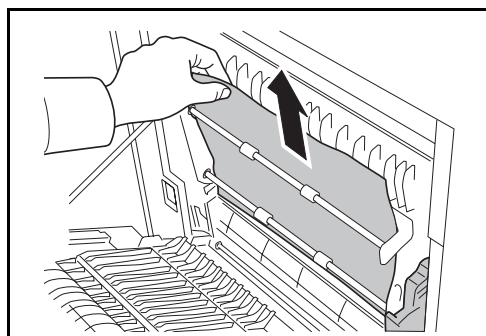
- 1** Pull up left cover 1 lever and open the left cover.



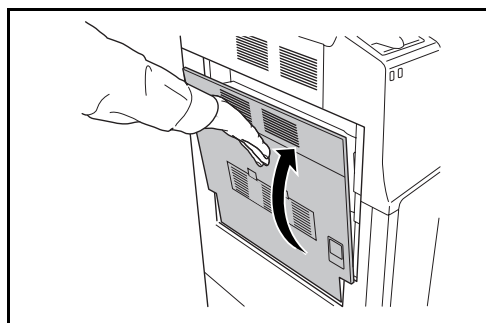
- 2** Remove the jammed paper.



- 3** Lift up the duplex unit and remove the jammed paper.



- 4** Press the specified position to close left cover 1.

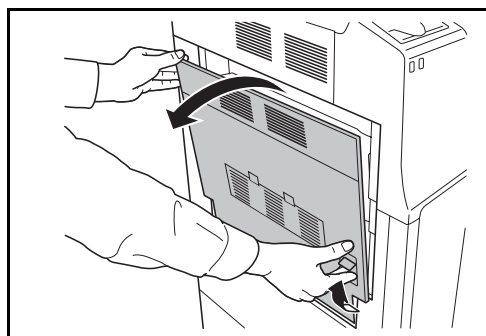


6

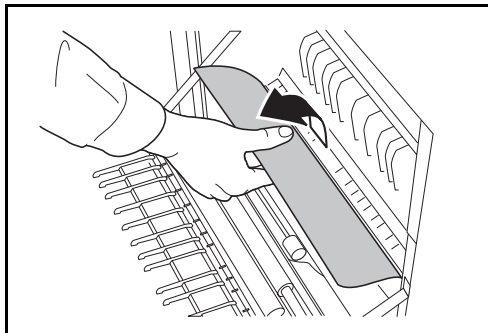
Duplex Unit and Cassette 1

Follow the steps below to clear paper jams in duplex unit and cassette 1.

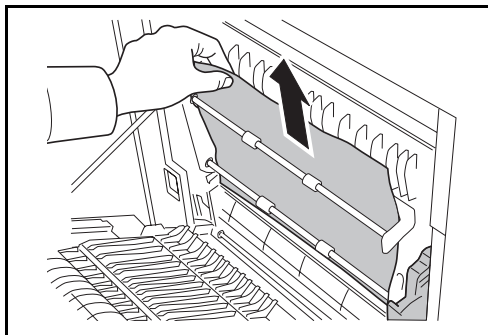
- 1** Pull up left cover 1 lever and open the left cover.



- 2** Remove the jammed paper.

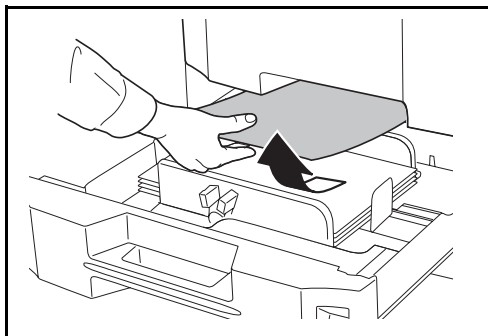


- 3** Lift up duplex unit and remove the jammed paper.



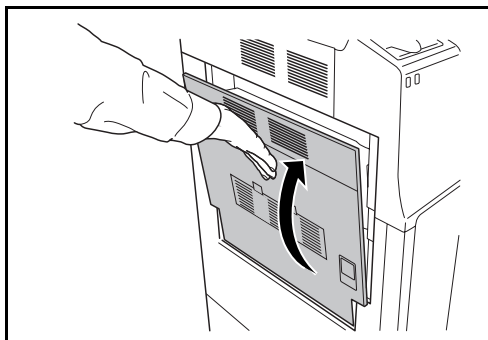
- 4** Pull out cassette 1 and remove the jammed paper.

If the paper tears, remove every loose scrap from inside the machine.



- 5** Push cassette 1 back in place securely.

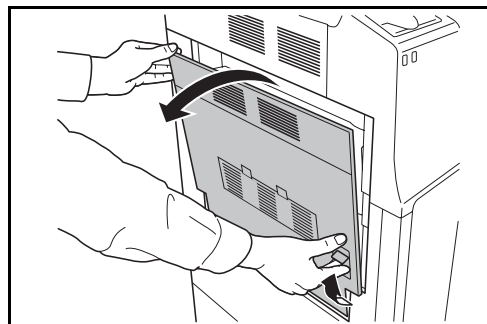
- 6** Press the specified position to close left cover 1.



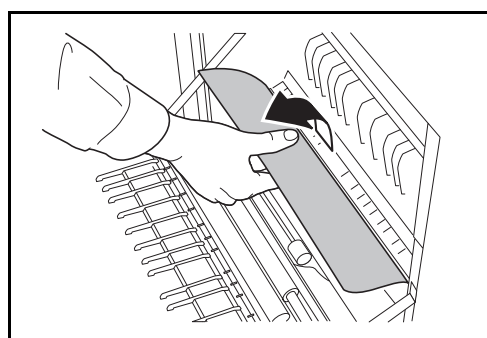
Paper Feed Unit

Follow the steps below to clear paper jams in the paper feed unit.

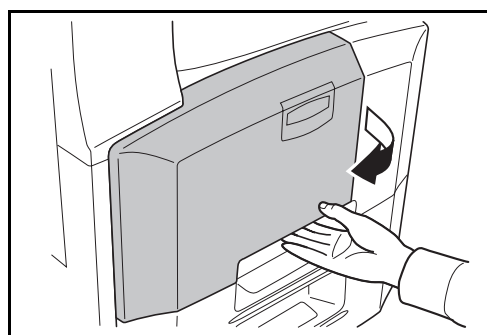
- 1** Pull up left cover 1 lever and open the left cover.



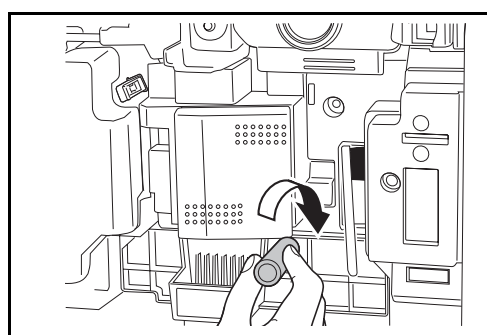
- 2** Remove the jammed paper.
If the paper tears, remove every loose scrap from inside the machine.



- 3** Open front cover.

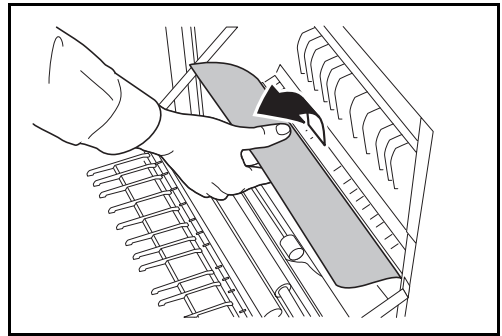


- 4** Turn the lower green knob (A1) clockwise.

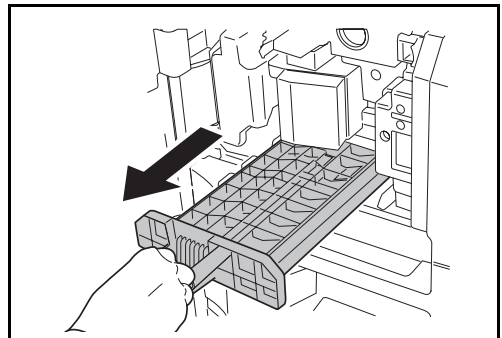


- 5** Remove the jammed paper.

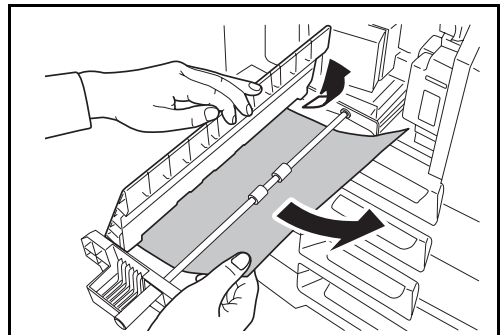
If you cannot remove the paper, proceed with the next step.



- 6** Pull out paper feed unit (A2).

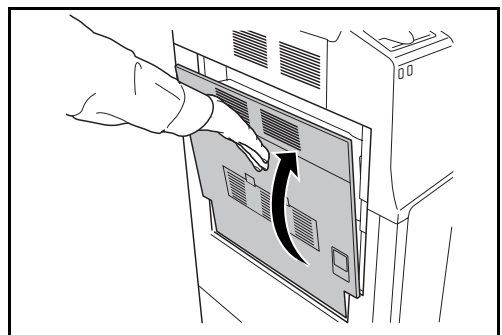


- 7** Open paper feed unit cover (A3) and remove the jammed paper.



- 8** Push paper feed unit (A2) back in place, and close the front cover.

- 9** Press the specified position to close left cover 1.

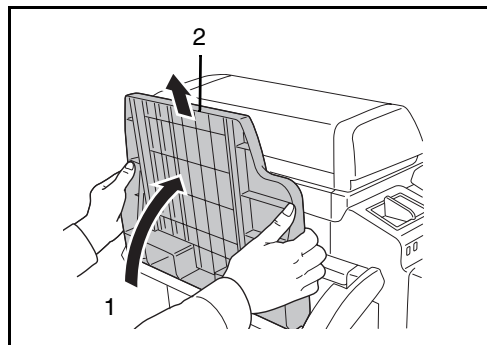


Built-in Finisher (optional)

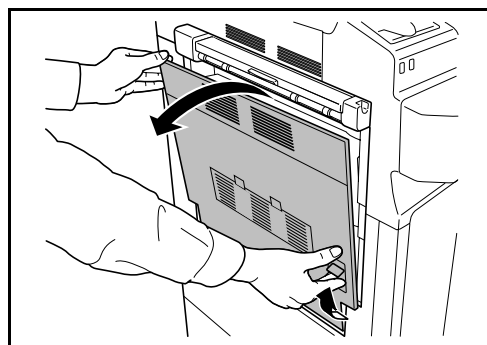
If paper is jammed in the optional built-in finisher, use the procedure below to remove the paper.

1 Remove any paper left in the finisher output slot.

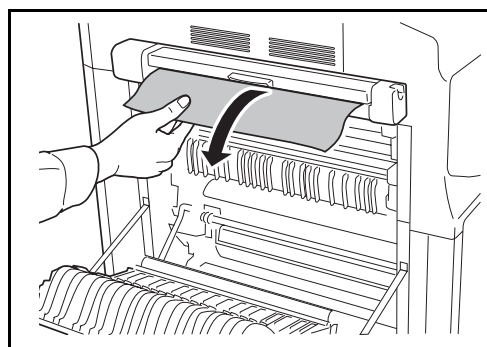
2 Remove the output tray.



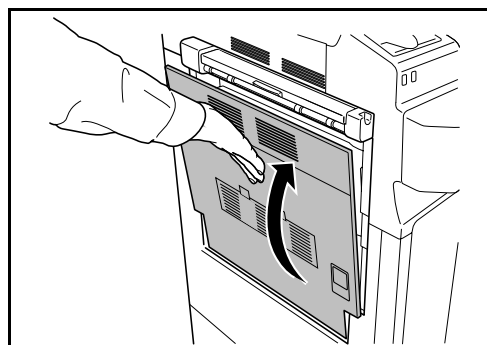
3 Pull up left cover 1 lever and open left cover 1.



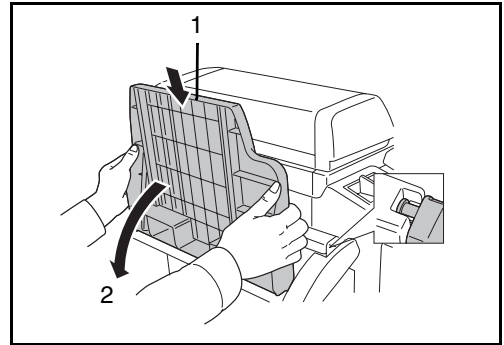
4 Remove the jammed paper.



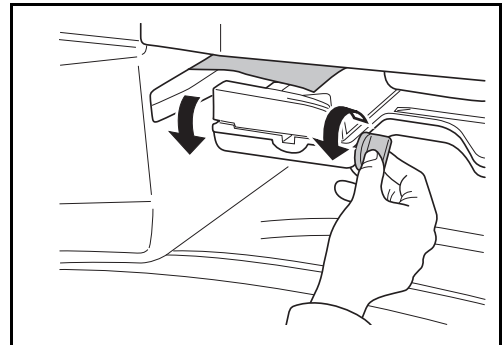
5 Press the indicated position to close left cover 1.



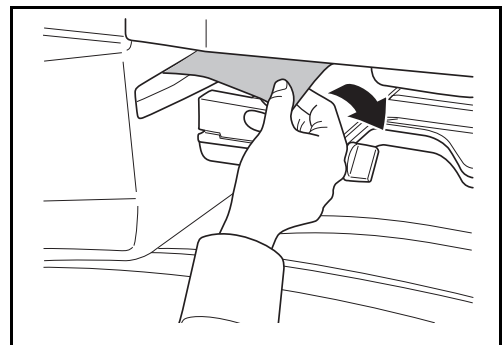
6 Re-attach the output tray.



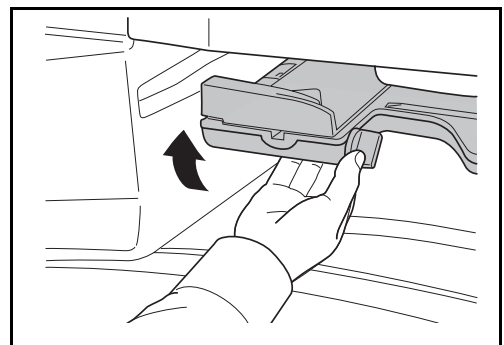
7 Turn the lever to lower the finisher process tray.



8 Remove any paper from the tray.



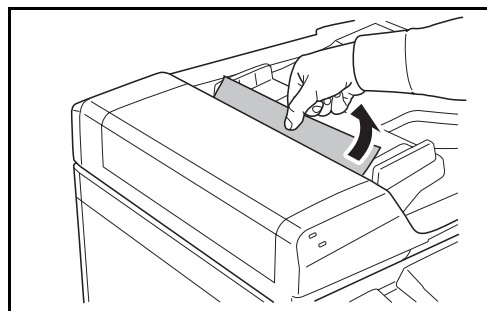
9 Raise the finisher process tray.



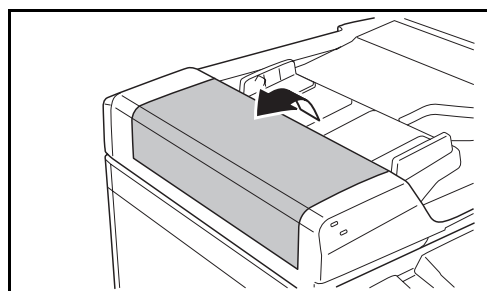
Optional Document Processor

Follow the steps below to clear paper jams in the optional document processor.

- 1** Remove the original from the original tray.

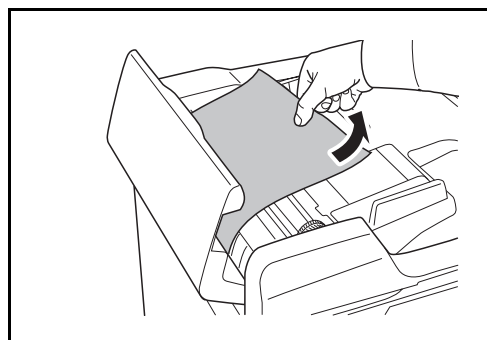


- 2** Open the document processor top cover.

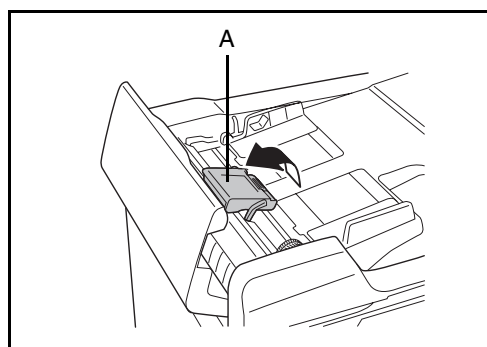


- 3** Remove the jammed original.

If the original tears, remove every loose scrap from inside the machine.

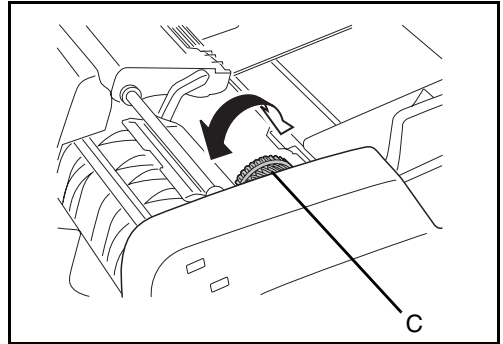


- 4** Lift up paper feed unit A.



- 5 Remove the jammed original.
If the original tears, remove every loose scrap from inside the machine.

- 6 Remove the original by turning the dial **C** as shown in the figure.



- 7 Put paper feed unit **A** back in its original place and close the document processor top cover.

- 8 Reload the originals on the document processor tray.

Optional Document Finisher

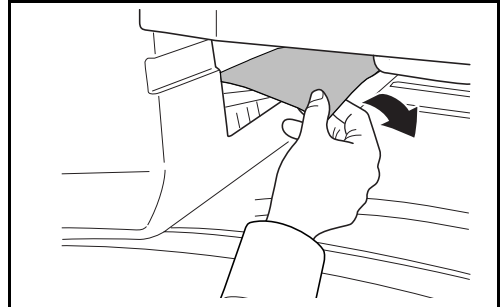
If a misfeed occurs in the optional document finisher, refer to *the respective Operation Guides to clear the jam*.

Optional Job Separator (optional)

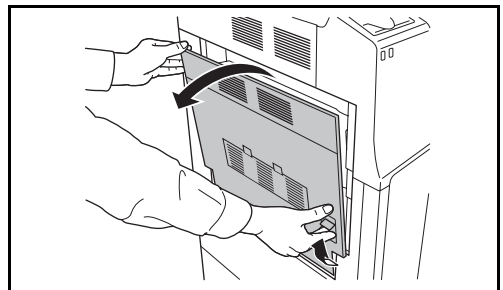
Follow the steps below to clear paper jams in the optional job separator.

- 1 If jammed paper is seen through the paper output slot of the job separator, pull it toward your side to remove it.

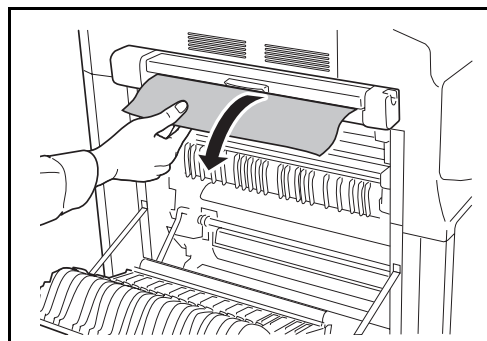
If the paper tears, remove every loose scrap from inside the machine.



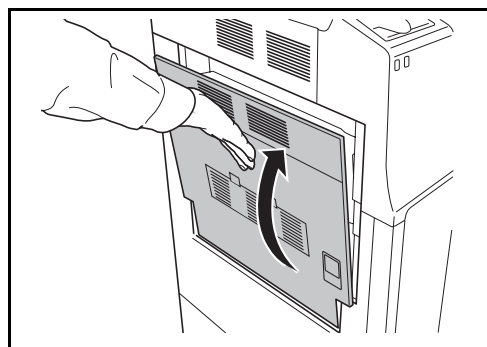
- 2 Pull up left cover 1 lever and open left cover 1.



- 3** Remove the jammed paper.
 If the paper tears, remove every loose scrap from inside the machine.



- 4** Press the indicated position to close left cover 1.



Appendix

- Character Entry Method Appendix-2
- Paper Appendix-6
- Specifications Appendix-7

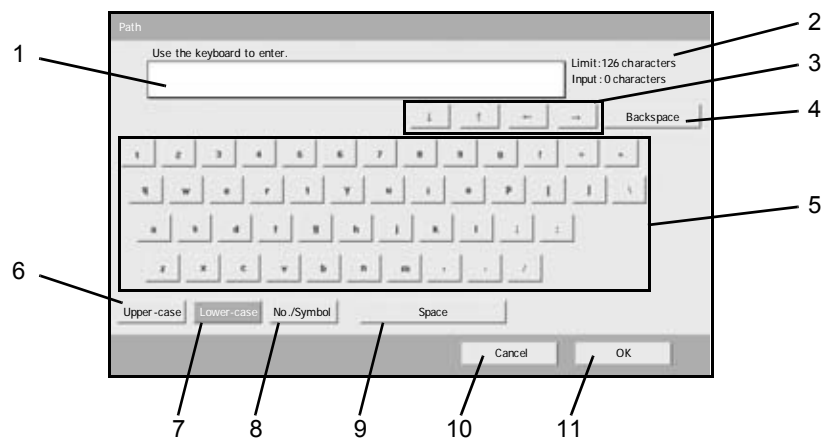
Character Entry Method

To enter characters for a name, use the on-display keyboard in the touch panel following the steps as explained below.

NOTE: QWERTY, QWERTZ and AZERTY are available as keyboard layouts the same as a PC keyboard. Press the **System Menu**, [Common Settings] and then [Change] of *Keyboard* to choose desired layout. QWERTY layout is used here as an example. You may use another layout following the same steps.

Entry Screens

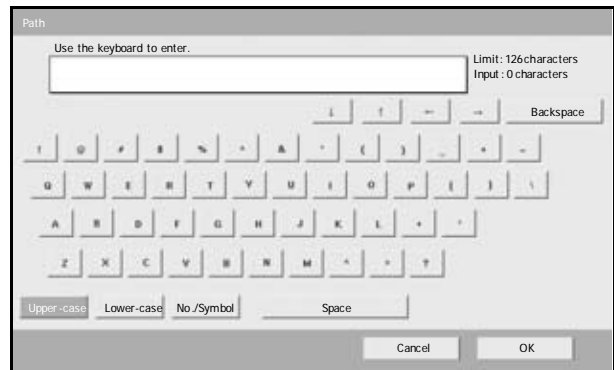
Lower-case Letter Entry Screen



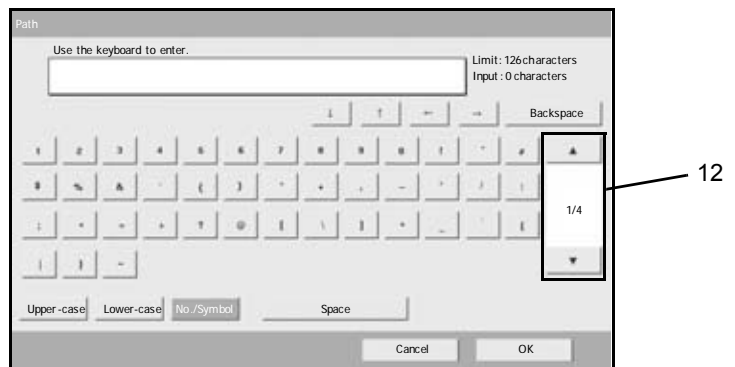
No.	Display/Key	Description
1	Display	Displays entered characters.
2	Limit Display	Displays maximum number of characters.
3	Cursor Key	Press to move the cursor on the display.
4	[Backspace]	Press to delete a character to the left of the cursor.
5	Keyboard	Press a character to enter.
6	[Upper-case]	Press to use upper-case letters.
7	[Lower-case]	Press to use lower-case letters,
8	[No./Symbol]	Press to enter numbers and symbols.
9	[Space]	Press to insert a space.

No.	Display/Key	Description
10	[Cancel]	Press to cancel entered characters and return to the screen before the entry.
11	[OK]	Press to finalize entry and return to the screen before the entry.

Upper-case Letter Entry Screen



Number/Symbol Entry Screen

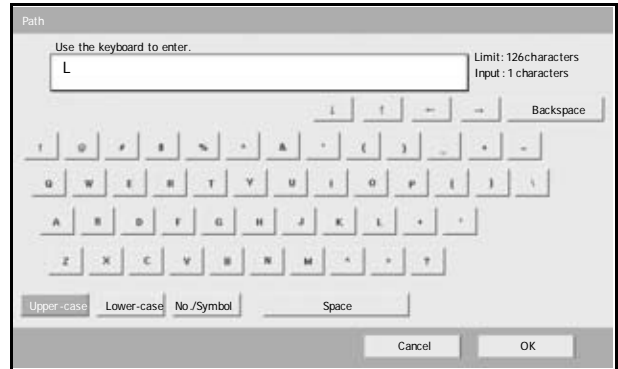


No.	Display/Key	Description
12	[▲]/[▼]	To enter a number or symbol not shown in the keyboard, press the cursor key and scroll the screen to view other numbers or symbols to enter.

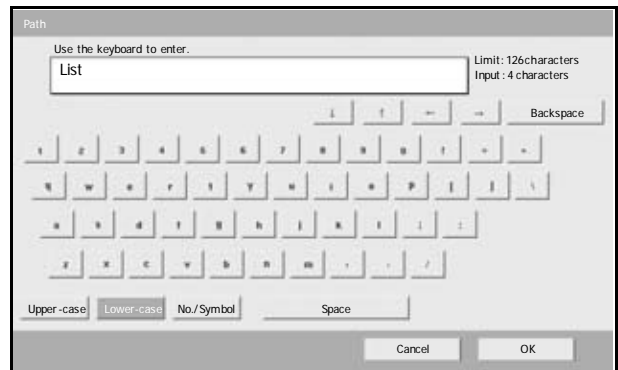
Entering Characters

Follow the steps shown below to enter *List A-1* for example.

- 1** Press [Upper-case].
- 2** Press [L]. The letter *L* is shown on the display.

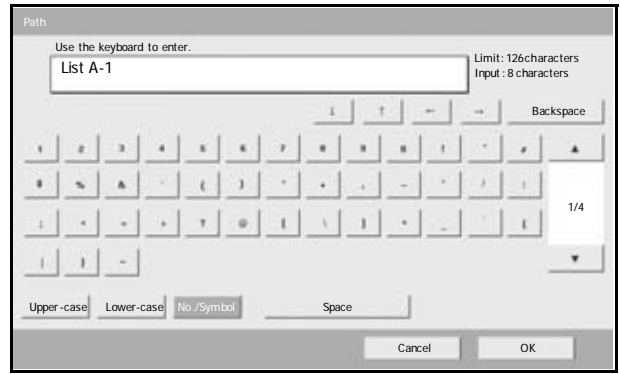


- 3** Press [Lower-case].
- 4** Press [i], [s], [t] and [Space].



- 5** Press [Upper-case].
- 6** Press [A].
- 7** Press [No./Symbol].
- 8** Press [▲] or [▼] repeatedly to view the keyboard containing [-] and [1].

9 Press [-] and [1].



10 Check that the entry is correct. Press [OK].

Paper

This section explains the paper sizes and types that can be used in the paper source.

Cassettes 1, 2 and the optional paper feeder

Supported types	Supported paper sizes	No. of sheets
Plain paper (60 to 120 g/m ²) Recycled paper (60 to 120 g/m ²)	11 × 17", 8 1/2 × 14", 11 × 8 1/2", 8 1/2 × 11", 5 1/2 × 8 1/2", 8 1/2 × 13" (Oficio II), 8 1/2 × 13 1/2", 8K, 16K, 16KR	550 (64 g/m ²)
Plain paper (60 to 120 g/m ²) Recycled paper (60 to 120 g/m ²)	A3, B4, A4, A4R, B5, B5R, A5R, Folio	550 (64 g/m ²)

Multi Purpose tray (MP tray)

Supported types	Supported paper sizes	No. of sheets
Plain paper (45 to 200 g/m ²) Recycled paper (45 to 200 g/m ²) Colored paper (45 to 200 g/m ²)	11 × 17", 8 1/2 × 14", 11 × 8 1/2", 8 1/2 × 11", 5 1/2 × 8 1/2", 8 1/2 × 13" (Oficio II), 8 1/2 × 13 1/2", Executive, A3, B4, A4, A4R, B5, B5R, A5R, B6R, 8K, 16K, 16KR Other sizes: Portrait - 3 7/8 to 11 5/8" or 98 to 297 mm Landscape - 5 7/8 to 17" or 148 to 432 mm	200 (80 g/m ²)
Postcards Oufuku Hagaki (return postcard)	Postcards (100 × 148 mm) Return postcard (148 × 200 mm)	80
Envelopes	Envelope DL, Envelope C5, Envelope C4, Envelope #10 (Commercial #10), Envelope #9 (Commercial #9), Envelope #6 (Commercial #6 3/4), Monarch, ISO B5, Youkei 2, Youkei 4 Other sizes: Portrait - 3 7/8 to 11 5/8" or 98 to 297 mm Landscape - 5 7/8 to 17" or 148 to 432 mm	20
Transparency (OHP film)	Letter, Letter-R, A4, A4-R	25

Specifications

NOTE: Specifications are subject to change without notice.

Machine

Item	Description	
	25 ppm model	30 ppm model
Type	Desktop	
Printing Method	Electrophotography by semiconductor laser	
Supported Original Types	Sheet, Book, 3-dimensional objects (maximum original size: 11 × 17"/A3)	
Original Feed System	Fixed	
Paper Weight	Cassette 1, 2	60 to 120 g/m ² (Duplex: 60 to 80 g/m ²)
	Multi Purpose Tray	45 to 200 g/m ²
Paper Type	Cassette 1, 2	Plain, Rough, Vellum, Recycled, Preprinted, Bond, Color (Colour), Prepunched, Letterhead, Thick paper, High Quality, Custom 1 to 8 (Duplex: Same as Simplex)
	Multi Purpose Tray	Plain, Transparency (OHP film), Rough, Vellum, Labels, Recycled, Preprinted, Bond, Cardstock, Color (Colour), Prepunched, Letterhead, Thick paper, Envelope, High Quality, Custom 1 to 8
Paper Size	Cassette 1, 2	Maximum: 11 × 17"/A3 (Duplex: 11 × 17"/A3) Minimum: 5 1/2 × 8 1/2"/A5R (Duplex: 5 1/2 × 8 1/2"/A5R)
	Multi Purpose Tray	Maximum: 11 × 17"/A3 Minimum: 5 1/2 × 8 1/2"/A6R
Zoom Level	Manual mode: 25 to 400%, 1% increments Auto mode: Preset Zoom	
Printing Speed	Simplex	11 × 17"/A3: 12.5 sheets/min 8 1/2 × 14"/B4: 12.5 sheets/min 11 × 8 1/2"/A4: 25 sheets/min 8 1/2 × 11"/A4R: 17.5 sheets/min B5: 25 sheets/min B5R: 20 sheets/min
	Duplex	11 × 17"/A3: 12.5 sheets/min 8 1/2 × 14"/B4: 12.5 sheets/min 11 × 8 1/2"/A4: 19 sheets/min 8 1/2 × 11"/A4R: 17.5 sheets/min B5: 25 sheets/min B5R: 20 sheets/min
		11 × 17"/A3: 15 sheets/min 8 1/2 × 14"/B4: 15 sheets/min 11 × 8 1/2"/A4: 30 sheets/min 8 1/2 × 11"/A4R: 22 sheets/min B5: 30 sheets/min B5R: 20 sheets/min
		11 × 17"/A3: 15 sheets/min 8 1/2 × 14"/B4: 15 sheets/min 11 × 8 1/2"/A4: 20 sheets/min 8 1/2 × 11"/A4R: 22 sheets/min B5: 30 sheets/min B5R: 20 sheets/min

Item	Description		
		25 ppm model	30 ppm model
First Print Time (A4, feed from Cassette)		4.7 seconds or less	
Warm-up Time (22°C/71.6°F, 60%)	Power on	29 seconds or less	
	Low Power	10 seconds or less	
	Sleep	15 seconds or less	
Paper Capacity	Cassette 1, 2	500 sheets (80 g/m ²)	
	Multi Purpose Tray	200 sheets (80 g/m ²)	
Output Tray Capacity	Top tray	250 sheets (80 g/m ²)	
	with optional built-in finisher	100 sheets (80 g/m ²)	
	with optional job separator	150 sheets (80 g/m ²)	
Continuous Copying		1 to 999 sheets	
Image Write System		Semiconductor laser and electrophotography	
Hard Disk		80 GB (standard)	
Resolution		600 × 600 dpi	
Monthly Duty (Paper Size: A4 Paper Type: Plain)	Average	8,000 pages	10,000 pages
	Maximum	80,000 pages	100,000 pages
Operating Environment	Temperature	10 to 32.5°C/50 to 90.5°F	
	Humidity	15 to 80 %	
	Altitude	2,500 m/8,202 ft maximum	
	Brightness	1,500 lux maximum	
Dimension (W × D × H)		22 7/16 × 24 13/16 × 30 3/16" (Main unit only) 570 × 620 × 767.2 mm	
Weight (without toner container and waste toner box)		165 lb/75 kg	
Space Required (W × D)		28 9/16 × 24 7/16" (Using Multi Purpose tray) 725 × 620 mm	

Item	Description	
	25 ppm model	30 ppm model
Power Source	120 V AC, 60 Hz, 11.4 A/220 to 240 V AC, 50 Hz, 5.7 A	
Power Consumption	1370 W	
Options	Extension Memory, Document processor, Paper feeder, Document finisher, Built-in finisher, Job separator, Key counter, Data Backup Kit, FAX Kit, Security Kit and PDF Upgrade Kit	

Printer

Item		Description
Printing Speed		Same as Copying Speed.
First Print Time (A4, feed from Cassette)		4.7 seconds or less
Resolution		300 dpi (smoothing available), 600 dpi, Fast 1200 mode
Operating System		Windows 2000 (Service Pack 2 or later), Windows XP, Windows Server 2003, Windows Vista, Apple Macintosh OS 9.x/OS X 10.x
Interface	Standard	USB Interface Connector: 1 (USB Hi-Speed) Network interface: 1 (10 BASE-T/100 BASE-TX)
Page Description Language		PRESCRIBE

Scanner

Item	Description
Operating System	Windows 98 (Second Edition), Windows 2000 (Service Pack 2 or later), Windows Me, Windows XP, Windows Vista
System requirements	CPU: 600Mhz or higher RAM: 128MB or more
Resolution	600 dpi, 400 dpi, 300 dpi, 200 dpi, 200 ×100 dpi, 200 × 400 dpi (Resolution in FAX mode included)
File Format	TIFF (MMR/JPEG compression), JPEG, PDF (MMR/JPEG compression), PDF (high compression)* ²
Scanning Speed * ¹	1-sided B/W 30 sheets/min Color 15 sheets/min 2-sided B/W 15 sheets/min Color 10 sheets/min (A4 landscape, 600 dpi, Image quality: Text/Photo original)
Interface	Ethernet (10 BASE-T/100 BASE-TX)
Network Protocol	TCP/IP
Transmission System	PC transmission SMB Scan to SMB FTP Scan to FTP E-mail transmission SMTP Scan to E-mail TWAIN scan* ³ TWAIN source WIA scan* ⁴

*1 When using the Document processor (without TWAIN scanning)

*2 When using the PDF Upgrade Kit

*3 Available Operating System : Windows 2000 (Service Pack 2 or later), Windows XP, Windows Vista

*4 Available Operating System : Windows Vista

Document Processor (option)

Item	Description
Original Feed Method	Automatic feed
Supported Original Types	Sheet originals
Paper Size	Maximum: Ledger/A3 Minimum: Statement-R/A5-R
Paper Weight	45 to 160 g/m ²
Loading Capacity	75 sheets (50 to 80 g/m ²) maximum Mixed original sizes (auto selection): 30 sheets (50 to 80 g/m ²) maximum
Dimensions (W) x (D) x (H)	22 x 19 ³ / ₁₆ x 5 ³ / ₁₆ " 559 x 487 x 131 mm
Weight	Approx. 15.4 lbs or less / Approx. 7 kg or less

Paper Feeder (option)

Item	Description
Paper Supply Method	Friction Feed (No. Sheets: 500, 80 g/m ² , 2 cassettes)
Paper Size	Ledger, Legal, Oficio II, 8.5x13.5", Letter, Letter-R, Statement-R, A3, B4, A4, A4-R, B5, B5-R, A5-R, Folio, 8K, 16K, 16K-R
Supported Paper	Paper weight: 60 - 120 g/m ² Media types: standard, recycled, color
Dimensions (W) x (D) x (H)	22 ⁷ / ₁₆ x 24 ³ / ₈ x 12 ³ / ₁₆ " 570 x 618.7 x 309 mm
Weight	Approx. 55 lbs. / Approx. 25 kg

Document Finisher (option)

Item	Description
Number of Trays	1 tray
Paper Size (Non-stapling)	Ledger, Legal, Oficio II, 8.5x13.5", A3, B4, Folio, 8K: 500 sheets Letter, Letter-R, A4, A4-R, B5, 16K: 1,000 sheets
Supported Paper Weight	Stapling: 80 g/m ² or less
Maximum Sheets for Stapling	Ledger, Legal, Oficio II, 8.5x13.5", A3, B4, Folio, 8K: 20 sheets Letter, Letter-R, A4, A4-R, B5, 16K: 30 sheets (Paper weight 80 g/m ² or less)
Dimensions (W) x (D) x (H)	22 x 20 ¹¹ / ₁₆ x 36 ¹ / ₁₆ " 558 x 526 x 916 mm
Weight	Approx. 55 lbs. / Approx. 25 kg

Job Separator (option)

Item	Description
Number of Trays	1 tray
Maximum Sheets	100 sheets (80 g/m ²)
Paper Size	Ledger, Legal, Oficio II, 8.5x13.5", Letter, Letter-R, Executive-R, Statement-R, A3, B4, A4, A4-R, B5, B5-R, A5-R, B6-R, Folio
Paper Type	Paper weight: 45 - 160 g/m ² Paper type: plain, recycled, color, thin
Dimensions (W) x (D) x (H)	21 ⁷ / ₁₆ x 17 ¹¹ / ₁₆ x 2 ³ / ₄ " 545 x 450 x 70 mm
Weight	3.3 lbs. or less / 1.5 kg or less

Built-in Finisher

Item	Description
Number of Trays	1 tray
Paper Size (Non-Stapling)	Ledger, Legal, Oficio II, 8.5x13.5", A3, B4, Folio, 8K: 250 sheets Letter, Letter-R, A4, A4-R, B5, 16K: 500 sheets
Supported Paper	60 to 80 g/m ²
Maximum Sheets for Stapling	Ledger, Legal, A3, B4, Folio, 8K: 20 sheets Letter, Letter-R, A4, A4-R, B5, 16K: 30 sheets (Paper weight 80 g/m ² or less)

Item	Description
Dimensions (W) x (D) x (H)	12 ¹³ / ₁₆ x 17 ¹¹ / ₁₆ x 6 ¹ / ₂ " 325 x 450 x 165 mm
Weight	17.6 lbs or less / Approx. 8 kg or less

Environmental Specifications

Item	Description
Time to Low Power mode (default setting)	9 minutes
Time to Sleep mode (default setting)	29 minutes
Recovery time from Low Power mode	10 seconds
Recovery time from Sleep mode	15 seconds
Duplexing	Standard
Paper supply capability	100% recycled paper may be used.

NOTE: Consult your dealer or service representative for recommended paper types.

Index

A

- Adjusting Density
 - Auto **3-11**
 - Manual **3-11**
- Auto Low Power Mode **3-4**
- Auto Sleep **3-5**

B

- Bundled Items **2-2**

C

- Carrying Handles **1-4**
- Cassette
 - Loading Paper **2-35**
- Cassette 1 **1-2**
- Cassette 2 **1-2**
- Caution Labels **iv**
- CD-ROM **2-2**
- Changing Language **2-33**
- Character Entry Method **Appendix-2**
- Checking Remaining
 - Paper **3-63**
 - Toner **3-63**
- Cleaner Rod **1-3**
- Cleaning
 - Glass Platen **5-2**
 - Original Cover **5-2**
 - Separator **5-4**
 - Slit Glass **5-3**
 - Transfer Roller **5-5**
- Cleaning Brush **1-3**
- Clip Holder **1-2**
- Configuring a Network **2-10**
- Connecting
 - LAN Cable **2-5**
 - Power Cable **2-7**
 - USB Cable **2-6**

- Connection Method **2-3**
- Conventions in This Guide **xxiii**
- Copy

- Adjusting Density **3-11**
- Collate Copying **3-19**
- Duplex Copying **3-16**
- Interrupt Copy **3-22**
- Offset Copying **3-19**
- Original Preview **3-10**
- Reserve Copy **3-21**
- Selecting Image Quality **3-12**
- Zoom Copying **3-13**

Custom Box

- Editing Documents **3-50**
- Join Documents **3-52**
- Move Documents **3-50**
- Printing Documents **3-46**
- Sending Documents **3-48**
- Storing Documents **3-45**

D

Destination

- Choosing by One-Touch Key **3-44**
- Choosing by Speed Dial **3-44**
- Choosing from the Address Book **3-42**
- Sending to Different Types of Destinations (Multi Sending) **3-44**

Document Box **3-45**

Document Processor

- How to Load Originals **2-50**
- Loading Originals **2-49**
- Not Supported Originals **2-49**
- Part Names **2-49**
- Supported Originals **2-49**

E

E-mail

- Send as E-mail **3-27**
- EWS (Embedded Web Server) **2-12**

Enabling/Disabling User Login Administration **2-27**
Energy Star Program **xxi**
Error Indicator **1-2**
Error Messages **6-5**

F

Front Cover **1-4**
FTP Settings **2-19**

G

Glass Platen
 Cleaning **5-2**
GPL **xvii**
Green Knob **1-3**
Grid Cleaner **5-9**
Grounding the Machine **vi**

I

Image Quality
 Photo **3-12**
 Text **3-12**
 Text+Photo **3-12**
Included Guides **2**
Installation Precautions **v**

J

Job
 Canceling **3-58**
 Checking the Status **3-60**
 Viewing the Log **3-61**

K

Key Counter
 Inserting **4-11**

L

LAN Cable
 Connecting **2-5**
Left Cover 1 **1-2**

Left Cover 1 Lever **1-2**
Left Cover 2 **1-2**
Legal Information **xv**
Low Power Mode **3-5**

M

Main Charger **5-9**
Main Power Switch **1-4**
Memory Card Cover **1-4**
Memory Card Slot **1-4**
Monotype Imaging License Agreement **xix**
Multi Purpose Tray **1-4**
 Paper Size and Media **2-44**

N

Network Interface **2-4**
Network Interface Connector **1-4**

O

Open SSLeay **xvii**
Operation Panel **1-2, 1-5**
Option
 Built-in Finisher **4-5**
 Data Backup Kit **4-12**
 Document Finisher **4-9**
 Document Processor **4-4**
 FAX Kit **4-11**
 Job Separator **4-9**
 Key Counter **4-11**
 Overview of Optional Equipment **4-2**
 Paper Feeder **4-4**
 PDF Upgrade Kit **4-12**
 Security Kit **4-12**
 Serial Interface **4-12**
 USB Key **4-12**
Option Interface Slot **1-4**
Original
 Loading in the Document Processor **2-49**
 Placing on the Platen **2-47**
 Size **xxv**
Original Cover **1-2**
 Cleaning **5-2**

Original Placement Indicator
 Indications and Status **2-51**
 Original Size Indicator Plates **1-2, 2-47**
 Original SSLeay License **xviii**
 Output Stopper **1-4**

P

Paper
 Before Loading **2-34**
 Checking Remaining **3-63**
 Loading Envelopes **2-39**
 Loading in the Cassettes **2-35**
 Loading in the Multi Purpose Tray **2-38**
 Size and Media **2-41, Appendix-6**

Paper Feed Unit **1-3**

Paper Feed Unit Cover **1-3**

Paper Jam **6-12**
 Built-in Finisher **6-23**
 Cassette 1 **6-13**
 Cassette 2 **6-15**
 Cassettes 3 and 4 **6-16**
 Document Finisher **6-26**
 Document Processor **6-25**
 Duplex Unit **6-18**
 Duplex Unit and Cassette 1 **6-19**
 Inside the Left Covers 1, 2 and 3 **6-18**
 Jam Location Indicators **6-12**
 Multi Purpose Tray **6-17**
 Paper Feed Unit **6-21**
 Precaution **6-13**

Paper Length Guide **1-4, 2-36**

Paper Width Adjusting Tab **1-4**

Paper Width Guides **1-4, 2-36**

Part Names **1-1**

Platen **1-2**
 Placing Originals **2-47**

Power Cable
 Connecting **2-7**

Power Off **3-2**

Power On **3-2**

Power Supply **vi**

Precautions for Use **vii**

Preparation **2-1**

Preparing Cables **2-4**

Print Job
 Interruption **3-61**
 Reordering **3-62**
 Suspension **3-61**

Printing **3-24**

Printing Documents **3-54**

Printing from Applications **3-24**

Priority Override **3-61**

Product Library **2-2**

Q

Quick Setup Screen **3-64**

R

Receive Indicator **1-2**

Replacement
 Toner Container **5-7**
 Waste Toner Box **5-7**

Reserve Copy **3-21**

Resolution **Appendix-8, Appendix-9**

S

Safety Conventions **i**

Safety Instructions Regarding the
 Disconnection of Power **xii**

Sending
 Send as E-mail **3-27**
 Send to Folder (FTP) **3-32**
 Send to Folder (SMB) **3-29**

Sending E-mail **2-15**

Separator
 Cleaning **5-4**

Setting Date and Time **2-8**

Setting TCP/IP **2-10, 2-11**

Sleep **3-5**

Slit Glass
 Cleaning **5-3**

SMB Settings **2-18**

Solving Malfunctions **6-2**

Specifications
 Built-in Finisher **Appendix-12**
 Document Finisher **Appendix-12**

Document Processor **Appendix-11**
Environmental Specifications
Appendix-13
Job Separator **Appendix-12**
Machine **Appendix-7**
Paper Feeder **Appendix-11**
Printer **Appendix-9**
Scanner **Appendix-10**
Storing Information in the Address
Book **2-20**
Symbols **i**

T

TCP/IP Settings **2-13**
Toner
 Checking Remaining **3-63**
Toner Container **1-3**
 Replacement **5-7**
Toner Container Stopper **1-3**
Top Tray **1-4**
Trade Names **xvi**
Transfer Roller
 Cleaning **5-5**
TWAIN **3-35**

U

USB Cable
 Connecting **2-6**
USB Interface **2-4**
USB Interface Connector **1-4**
USB Memory
 Printing Documents **3-56**
 Removing **3-57**
USB Memory Slot **1-4**

W

Waste Toner Box **1-3**
 Replacement **5-7**

Z

Zoom Copying
 Auto Zoom **3-13**
 Manual Zoom **3-13**
 Preset Zoom **3-13**
 XY Zoom **3-14**

MEMO

We recommend the use of our own brand supplies. We will not be liable for any damage caused by the use of third party supplies in this machine.

DIRECTIVE 2002/96/CE ON THE TREATMENT, COLLECTION, RECYCLING AND DISPOSAL OF ELECTRIC AND ELECTRONIC DEVICES AND THEIR COMPONENTS

INFORMATION

1. FOR COUNTRIES IN THE EUROPEAN UNION (EU)

The disposal of electric and electronic devices as solid urban waste is strictly prohibited: it must be collected separately.

The dumping of these devices at unequipped and unauthorized places may have hazardous effects on health and the environment.

Offenders will be subjected to the penalties and measures laid down by the law.

TO DISPOSE OF OUR DEVICES CORRECTLY:

- a) Contact the Local Authorities, who will give you the practical information you need and the instructions for handling the waste correctly, for example: location and times of the waste collection centres, etc.
- b) When you purchase a new device of ours, give a used device similar to the one purchased to our dealer for disposal.



The crossed dustbin symbol on the device means that:

- when it to be disposed of, the device is to be taken to the equipped waste collection centres and is to be handled separately from urban waste;
- The producer guarantees the activation of the treatment, collection, recycling and disposal procedures in accordance with Directive 2002/96/CE (and subsequent amendments).

2. FOR OTHER COUNTRIES (NOT IN THE EU)

The treatment, collection, recycling and disposal of electric and electronic devices will be carried out in accordance with the laws in force in the country in question.